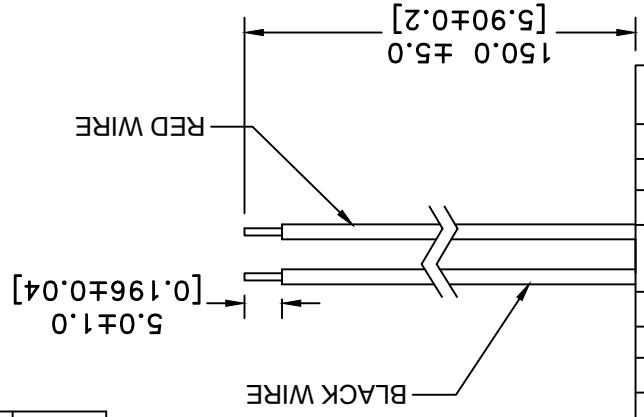
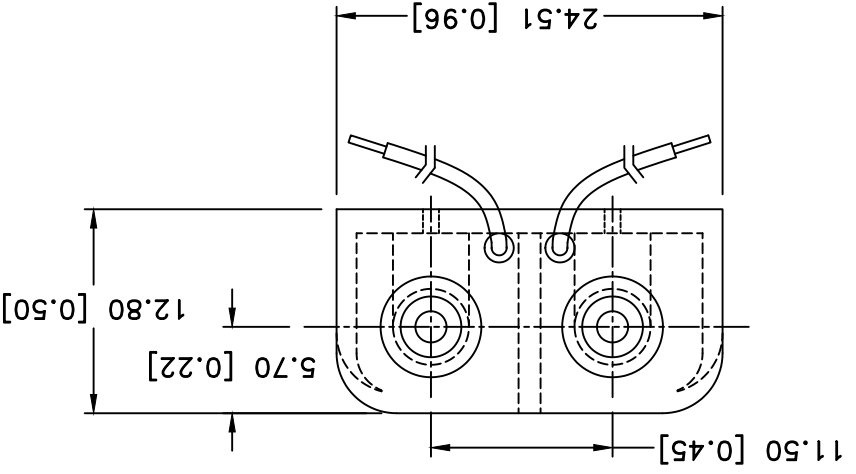
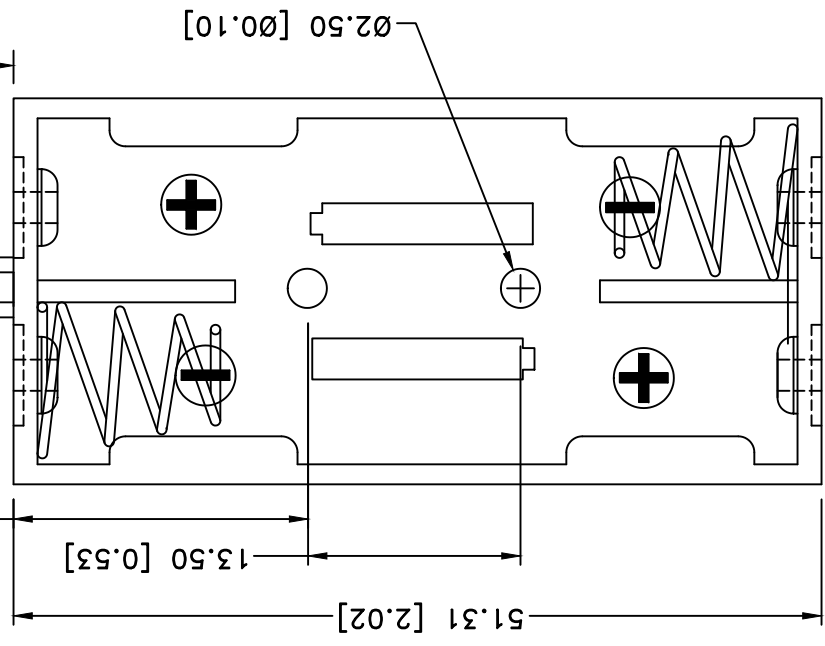


NOTES:

1. MATERIAL:
 - HOUSING : POLYPROPYLENE, UL94-HB, UL FILE NO. E216959
 - TEMPERATURE RANGE: -10°C to +140°C
 - RIVETS: BRASS, NICKEL PLATED.
 - SPRING: SPRING STEEL, NICKEL PLATED.
 - WIRE: 26 AWG, UL1007, CSA, TR64
 - CONTACT RESISTANCE: UNDER 50mΩ FOR +/- CONTACTS PER EIA-540J000

ROHS COMPLIANT

Mounting Instruction:
Use 2-56 machine screws or eyelets 0.089" OD by 0.15" flange stimpson GS-3 series or equivalent.
also adhesives and double sided tapes work well.



18.91 [0.75]

13.50 [0.53]

51.31 [2.02]

150.0 ±5.0 [5.90±0.2]

5.0±1.0

[0.196±0.04]

RED WIRE

BLACK WIRE

Date	SYM	REVISION RECORD	AUTH	DR.	CK.
07/17/17	H	DIM. 51.31 WAS 51.40 DIM. 13.50 WAS 13.60 DIM. 18.91 WAS 18.29 DIM. 24.51 WAS 24.20 DIM. 5.70 WAS 5.49	T.B.	B.S.	
12/29/17	J	REMOVED CUT AWAY FEATURE	T.B.	B.S.	
03/06/19	K	UPDATED TO "ROHS COMPLIANT"	T.B.	B.S.	

Tolerance
(Except as noted)



Memory Protection Devices, Inc
200 Broad Hollow Road, Farmingdale, New York 11735

decimal
±.5 (.020)

Fractional
±.8 (.030)

Angular
± 3°

Date

03/06/19

Title

TWO "AAA" CELL HOLDER WITH WIRE LEADS

Scale

Drawn By B.S.
Approved By T.B.

Drawing Number

BC2AAAW

X-ON Electronics

Largest Supplier of Electrical and Electronic Components

Click to view similar products for [mpd](#) manufacturer:

Other Similar products are found below :

[AS212-L](#) [BH24AAAL](#) [BC4AAAPC](#) [ZA5075](#) [BC4AAAL](#) [AP-130](#) [BK-5021](#) [ZA5070](#) [BC3AAPC](#) [BH9VL](#) [APP-004](#) [AP-133](#) [BH2/3AC](#)
[413717H](#) [BC22AAL](#) [SBH421AS](#) [BH48DW](#) [AP-124](#) [APP-001](#) [BC-2013](#) [BC3AAAPC](#) [AP-129](#) [ZA5074-B](#) [BS4T-HD](#) [ZA5350](#) [ZA5076](#)
[ABG-43](#) [SBH441AS](#) [ZA1060](#) [AP-131](#) [BH-20H-1T](#) [BE-2AAAA-PC](#) [AS212](#) [BH26AAL](#) [BC2AAAL](#) [BHX1-1225-PC](#) [BH2/3A-SM](#) [BS6T](#)
[BA2032](#) [BH26DL](#) [BH1/2AA-3](#) [ZA5036](#) [BH2DL](#) [BC12AAL](#) [BH24AAAW](#) [BK-5091](#) [BH24AASF](#) [BC3AAL](#) [BH9VW](#) [BK-5003](#)