

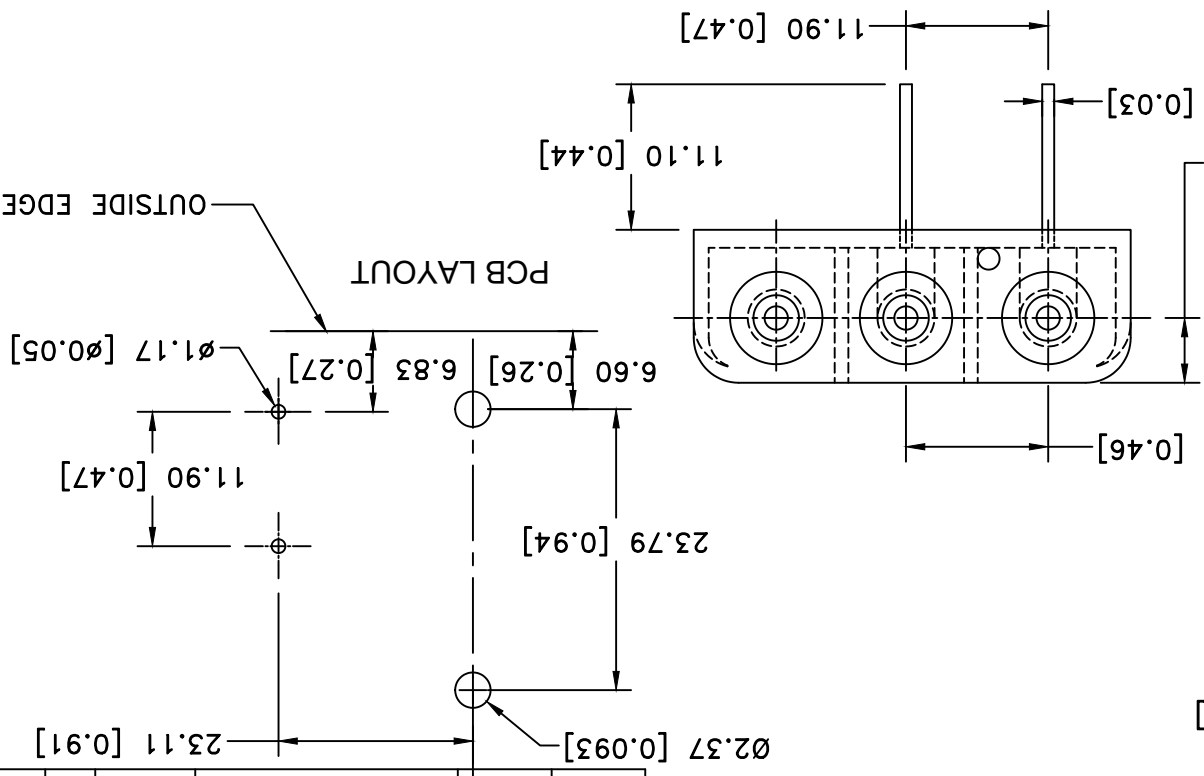
NOTES:
1. MATERIAL:

HOUSING : BLACK POLYPROPYLENE
FLAMMABILITY RATING -UL94-HB, UL FILE NO. E216959
TEMPERATURE RANGE: -10°C to +100°C
RIVETS: BRASS, NICKEL PLATED
PC PINS: STEEL, NICKEL PLATED
SPRING: SPRING STEEL, NICKEL PLATED
CONTACTS: SPRING STEEL, NICKEL PLATED.

CONTACT RESISTANCE: UNDER 50mΩ FOR +/- CONTACTS PER
EIA-540J000
ROHS COMPLIANT

MOUNTING INSTRUCTION:

USE 2-56 MACHINE SCREWS OR EYELETS 0.089" OD
BY 0.15" FLANGE STIMPSON GS-3 SERIES OR EQUIVALENT.
ALSO ADHESIVES AND DOUBLE SIDED TAPES WORK WELL.



Tolerance (Except as noted)	decimal ±.5 (.020)	Fractional ±.8 (.030)	Angular ± 3°
--------------------------------	-----------------------	--------------------------	-----------------

Memory Protection Devices, Inc 200 Broad Hollow Road, Farmingdale, New York 11735	Scale	Drawn By B.S.	Approved By T.B.
	Title THREE "AAA" CELL HOLDER WITH PC PINS		
Date 03/06/19		Drawing Number BC3AAAPC	

Date	SYM	REVISION RECORD	AUTH DR. CK.
07/07/17	D	DIM. 2.48 WAS 2.82 DIM. 11.10 WAS 12.32	T.B. B.S.
07/22/17	E	DIM. 0.50 WAS 0.51, DIM. 0.85 WAS 1.02	T.B. B.S.
03/06/19	F	UPDATED TO "ROHS COMPLIANT"	T.B. B.S.

X-ON Electronics

Largest Supplier of Electrical and Electronic Components

Click to view similar products for [mpd](#) manufacturer:

Other Similar products are found below :

[AS212-L](#) [BH24AAAL](#) [BC4AAAPC](#) [ZA5075](#) [BC4AAAL](#) [AP-130](#) [BK-5021](#) [ZA5070](#) [BC3AAPC](#) [BH9VL](#) [APP-004](#) [AP-133](#) [BH2/3AC](#)
[413717H](#) [BC22AAL](#) [SBH421AS](#) [BH48DW](#) [AP-124](#) [APP-001](#) [BC-2013](#) [BC3AAAPC](#) [AP-129](#) [ZA5074-B](#) [BS4T-HD](#) [ZA5350](#) [ZA5076](#)
[ABG-43](#) [SBH441AS](#) [ZA1060](#) [AP-131](#) [BH-20H-1T](#) [BE-2AAAA-PC](#) [AS212](#) [BH26AAL](#) [BC2AAAL](#) [BHX1-1225-PC](#) [BH2/3A-SM](#) [BS6T](#)
[BA2032](#) [BH26DL](#) [BH1/2AA-3](#) [ZA5036](#) [BH2DL](#) [BC12AAL](#) [BH24AAAW](#) [BK-5091](#) [BH24AASF](#) [BC3AAL](#) [BH9VW](#) [BK-5003](#)