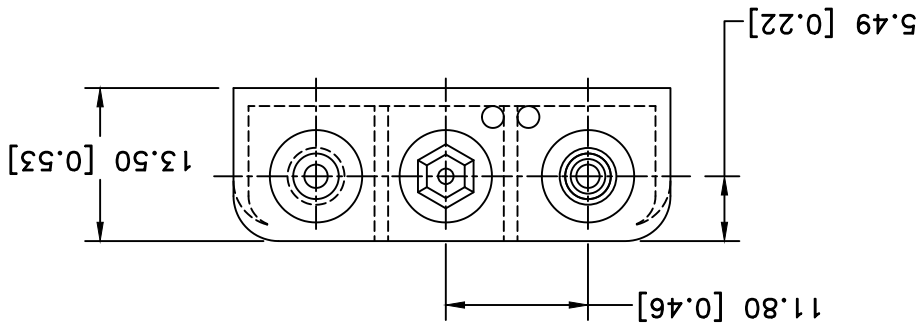
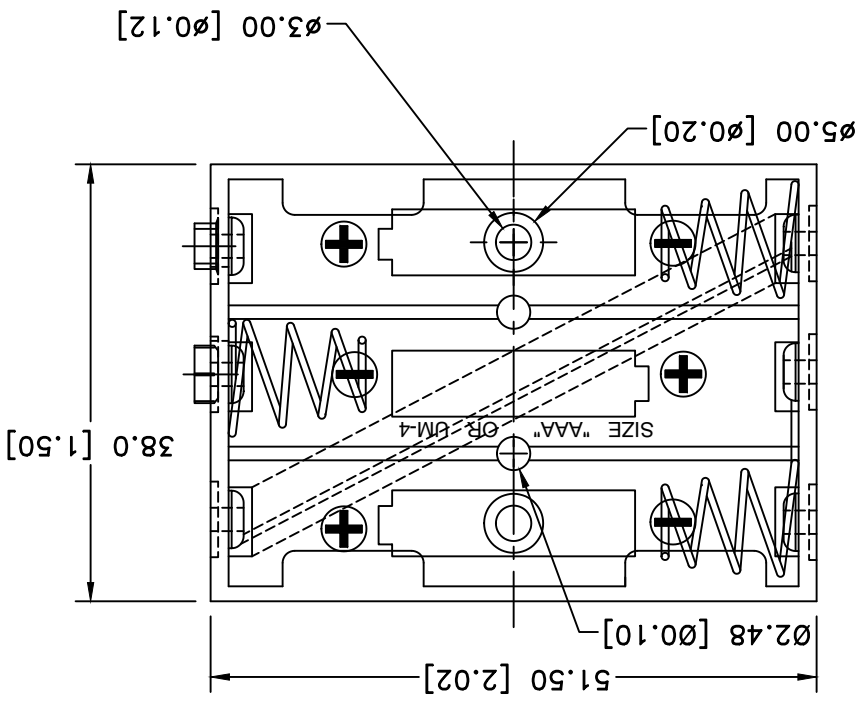
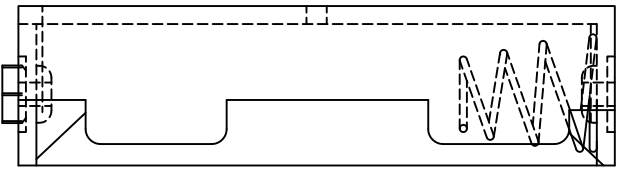


1. MATERIAL:  
 HOUSING : BLACK POLYPROPYLENE  
 FLAMMABILITY RATING -UL94-HB, UL FILE NO. E216959  
 TEMPERATURE RANGE: -10°C to +100°C  
 RIVETS: BRASS, NICKLE PLATED.  
 SPRING: SPRING STEEL, NICKLE PLATED.  
 9 VOLTS SNAPS: BRASS, NICKLE PLATED.  
 CONTACT RESISTANCE: UNDER 50mΩ FOR +/- CONTACTS PER  
 EIA-540J000  
 ROHS COMPLIANT

MOUNTING INSTRUCTION:  
 USE 2-56 MACHINE SCREWS OR EYELETS 0.089" OD  
 BY 0.15" FLANGE STIMPSON GS-3 SERIES OR EQUIVALENT.  
 ALSO ADHESIVES AND DOUBLE SIDED TAPES WORK WELL.

NOTES:



Tolerance  
 (Except as noted)

decimal  
 ±.5 (.020)

Fractional  
 ±.8 (.030)

Angular  
 ± 3°



Memory Protection Devices, Inc  
 200 Broad Hollow Road, Farmingdale, New York 11735

Scale

Drawn By B.S.

Approved By T.B.

Date

03/06/19

Title

THREE "AAA" CELL HOLDER WITH SNAP FASTENERS

Drawing Number  
 BC3AAASF

Date	SYM	REVISION RECORD	AUTH DR. CK.
07/07/17	D	DIM. 38.0 WAS 37.0 DIM. 2.48 WAS 2.82	T.B. B.S.
03/06/19	E	UPDATED TO "ROHS COMPLIANT"	T.B. B.S.

## **X-ON Electronics**

Largest Supplier of Electrical and Electronic Components

*Click to view similar products for [mpd](#) manufacturer:*

Other Similar products are found below :

[AS212-L](#) [BH24AAAL](#) [BC4AAAPC](#) [ZA5075](#) [BC4AAAL](#) [AP-130](#) [BK-5021](#) [ZA5070](#) [BC3AAPC](#) [BH9VL](#) [APP-004](#) [AP-133](#) [BH2/3AC](#)  
[413717H](#) [BC22AAL](#) [SBH421AS](#) [BH48DW](#) [AP-124](#) [APP-001](#) [BC-2013](#) [BC3AAAPC](#) [AP-129](#) [ZA5074-B](#) [BS4T-HD](#) [ZA5350](#) [ZA5076](#)  
[ABG-43](#) [SBH441AS](#) [ZA1060](#) [AP-131](#) [BH-20H-1T](#) [BE-2AAAA-PC](#) [AS212](#) [BH26AAL](#) [BC2AAAL](#) [BHX1-1225-PC](#) [BH2/3A-SM](#) [BS6T](#)  
[BA2032](#) [BH26DL](#) [BH1/2AA-3](#) [ZA5036](#) [BH2DL](#) [BC12AAL](#) [BH24AAAW](#) [BK-5091](#) [BH24AASF](#) [BC3AAL](#) [BH9VW](#) [BK-5003](#)