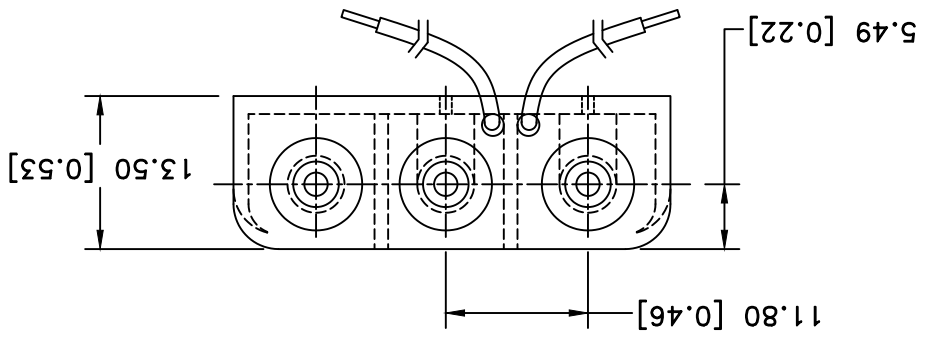
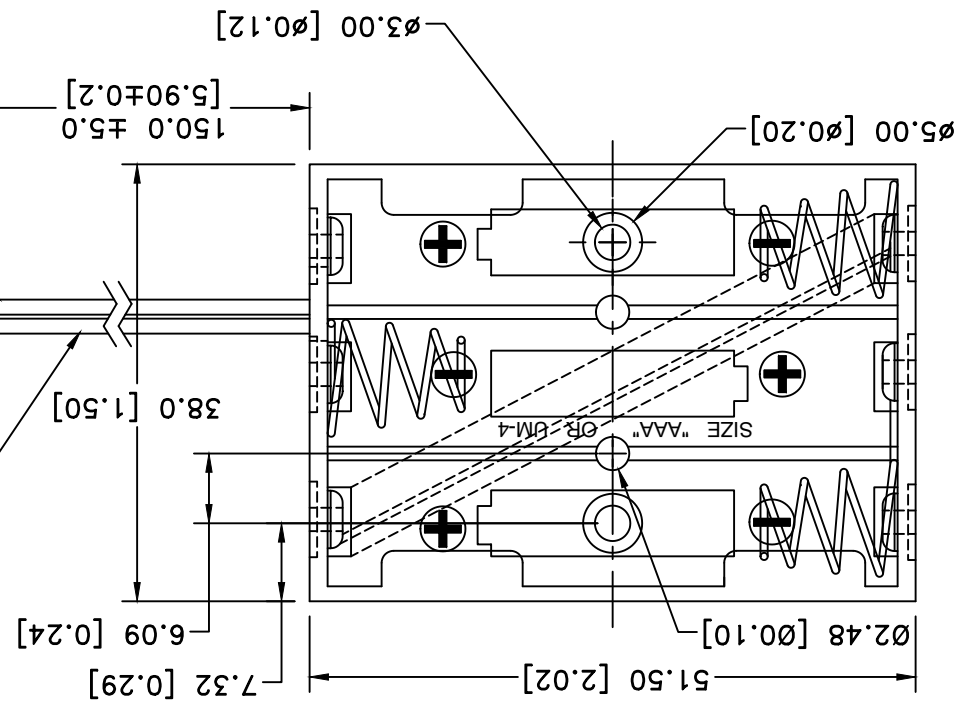
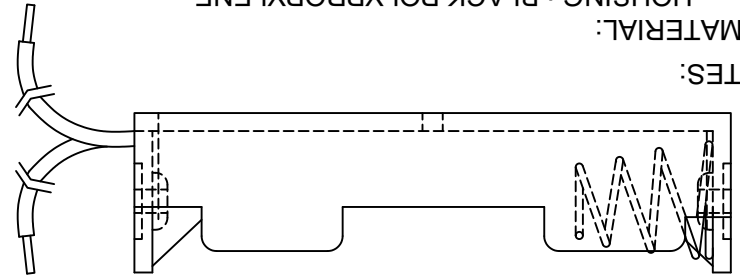


MOUNTING INSTRUCTION:  
 USE 2-56 MACHINE SCREWS OR EYELETS 0.089" OD  
 BY 0.15" FLANGE STIMPSON GS-3 SERIES OR EQUIVALENT.  
 ALSO ADHESIVES AND DOUBLE SIDED TAPES WORK WELL.

ROHS COMPLIANT  
 EIA-540J000  
 CONTACT RESISTANCE: UNDER 50mΩ FOR +/- CONTACTS PER  
 CONTACTS: SPRING STEEL, NICKEL PLATED.  
 WIRE: 26 AWG, UL1007, CSA, TR64, 300V, 80°C  
 SPRING: SPRING STEEL, NICKEL PLATED.  
 RIVETS: BRASS, NICKEL PLATED.  
 TEMPERATURE RANGE: -10°C to +100°C  
 FLAMMABILITY RATING -UL94-HB, UL FILE NO. E216959  
 HOUSING : BLACK POLYPROPYLENE

NOTES:

1. MATERIAL:



|                                |                       |                          |                 |
|--------------------------------|-----------------------|--------------------------|-----------------|
| Tolerance<br>(Except as noted) | decimal<br>±.5 (.020) | Fractional<br>±.8 (.030) | Angular<br>± 3° |
|--------------------------------|-----------------------|--------------------------|-----------------|



Memory Protection Devices, Inc  
 200 Broad Hollow Road, Farmingdale, New York 11735

|       |               |                  |
|-------|---------------|------------------|
| Scale | Drawn By B.S. | Approved By T.B. |
|-------|---------------|------------------|

|       |   |
|-------|---|
| Title | THREE "AAA" CELL HOLDER WITH WIRE LEADS |
|-------|---|

|      |          |                |         |
|------|----------|----------------|---------|
| Date | 03/06/19 | Drawing Number | BC3AAAW |
|------|----------|----------------|---------|

| Date     | SYM | REVISION RECORD                          | AUTH | DR. CK. |
|----------|-----|--|------|---------|
| 07/07/17 | D   | DIM. 38.0 WAS 37.0<br>DIM. 2.48 WAS 2.82 | T.B. | B.S.    |
| 12/15/17 | F   | ADDED DIM. 7.32 AND 6.09                 | T.B. | B.S.    |
| 03/06/19 | G   | UPDATED TO "ROHS COMPLIANT"              | T.B. | B.S.    |

## **X-ON Electronics**

Largest Supplier of Electrical and Electronic Components

*Click to view similar products for [mpd](#) manufacturer:*

Other Similar products are found below :

[AS212-L](#) [BH24AAAL](#) [BC4AAAPC](#) [ZA5075](#) [BC4AAAL](#) [AP-130](#) [BK-5021](#) [ZA5070](#) [BC3AAPC](#) [BH9VL](#) [APP-004](#) [AP-133](#) [BH2/3AC](#)  
[413717H](#) [BC22AAL](#) [SBH421AS](#) [BH48DW](#) [AP-124](#) [APP-001](#) [BC-2013](#) [BC3AAAPC](#) [AP-129](#) [ZA5074-B](#) [BS4T-HD](#) [ZA5350](#) [ZA5076](#)  
[ABG-43](#) [SBH441AS](#) [ZA1060](#) [AP-131](#) [BH-20H-1T](#) [BE-2AAAA-PC](#) [AS212](#) [BH26AAL](#) [BC2AAAL](#) [BHX1-1225-PC](#) [BH2/3A-SM](#) [BS6T](#)  
[BA2032](#) [BH26DL](#) [BH1/2AA-3](#) [ZA5036](#) [BH2DL](#) [BC12AAL](#) [BH24AAAW](#) [BK-5091](#) [BH24AASF](#) [BC3AAL](#) [BH9VW](#) [BK-5003](#)