

Mounting Instruction:  
Use 2-56 machine screws or eyelets 0.089" OD by 0.15" flange simpson GS-3 series or equivalent.  
also adhesives and double sided tapes work well.

ROHS COMPLIANT

Contact Resistance: Under 50mΩ for +/- contacts per EIA-540J000

Rivets - Brass, Nickel Plated

Wire - 26 AWG, UL1007, CSA, TR64, 300V, 80°C

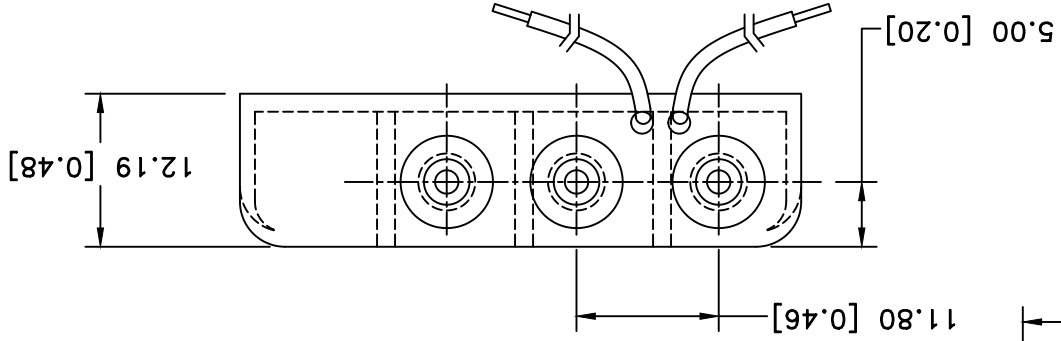
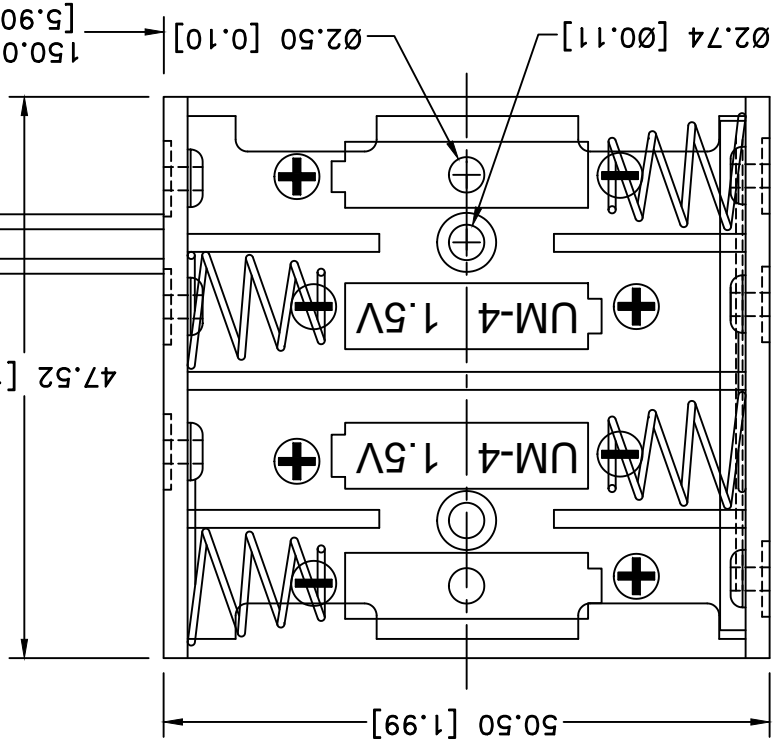
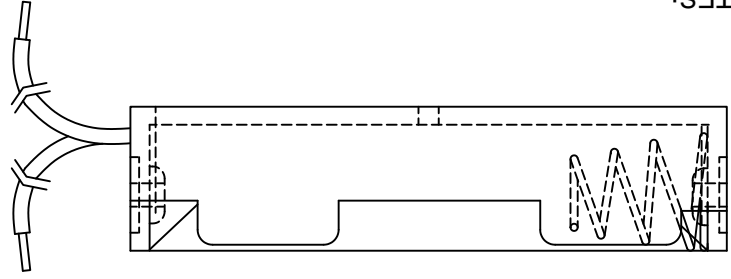
Springs - Nickel Plated Spring Steel

Temperature Range: -10°C to +100°C

Flammability Rating -UL94-HB, UL File NO. E216959

Plastic material - Polypropylene, Black

NOTES:



Angular	± 3°
Fractional	± .8 (.030)
decimal	±.5 (.020)
Tolerance	(Except as noted)



Memory Protection Devices, Inc  
200 Broad Hollow Road, Farmingdale, New York 11735

Scale

Drawn By B.S.

Approved By T.B.

Date

03/07/19

Title

FOUR "AAA" CELL HOLDER WITH WIRE LEADS

Drawing Number

BC4AAAW

Date

07/07/17

Sym

C

REVISION RECORD

ADDED DIM. Ø2.74

Auth

T.B.

DR. CK.

B.S.

Date

07/17/17

Sym

D

ADDED MOUNTING

INSTRUCTION

Auth

T.B.

DR. CK.

B.S.

Date

03/07/19

Sym

E

UPDATED TO "ROHS

COMPLIANT"

Auth

T.B.

DR. CK.

B.S.

## **X-ON Electronics**

Largest Supplier of Electrical and Electronic Components

*Click to view similar products for [mpd](#) manufacturer:*

Other Similar products are found below :

[AS212-L](#) [BH24AAAL](#) [BC4AAAPC](#) [ZA5075](#) [BC4AAAL](#) [AP-130](#) [BK-5021](#) [ZA5070](#) [BC3AAPC](#) [BH9VL](#) [APP-004](#) [AP-133](#) [BH2/3AC](#)  
[413717H](#) [BC22AAL](#) [SBH421AS](#) [BH48DW](#) [AP-124](#) [APP-001](#) [BC-2013](#) [BC3AAAPC](#) [AP-129](#) [ZA5074-B](#) [BS4T-HD](#) [ZA5350](#) [ZA5076](#)  
[ABG-43](#) [SBH441AS](#) [ZA1060](#) [AP-131](#) [BH-20H-1T](#) [BE-2AAAA-PC](#) [AS212](#) [BH26AAL](#) [BC2AAAL](#) [BHX1-1225-PC](#) [BH2/3A-SM](#) [BS6T](#)  
[BA2032](#) [BH26DL](#) [BH1/2AA-3](#) [ZA5036](#) [BH2DL](#) [BC12AAL](#) [BH24AAAW](#) [BK-5091](#) [BH24AASF](#) [BC3AAL](#) [BH9VW](#) [BK-5003](#)