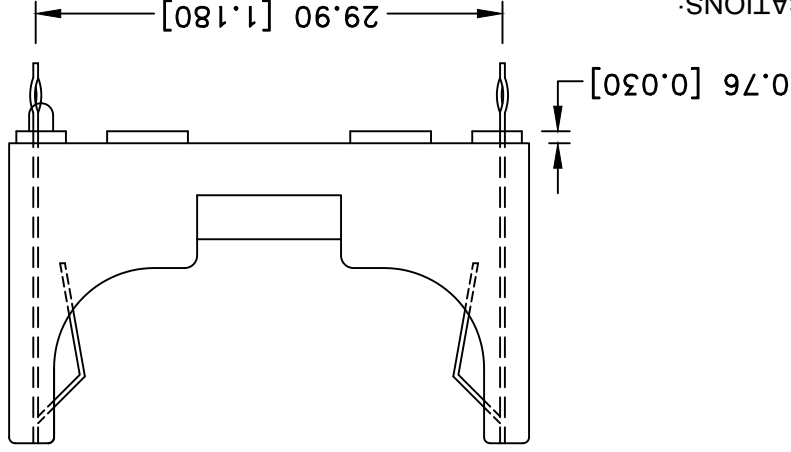
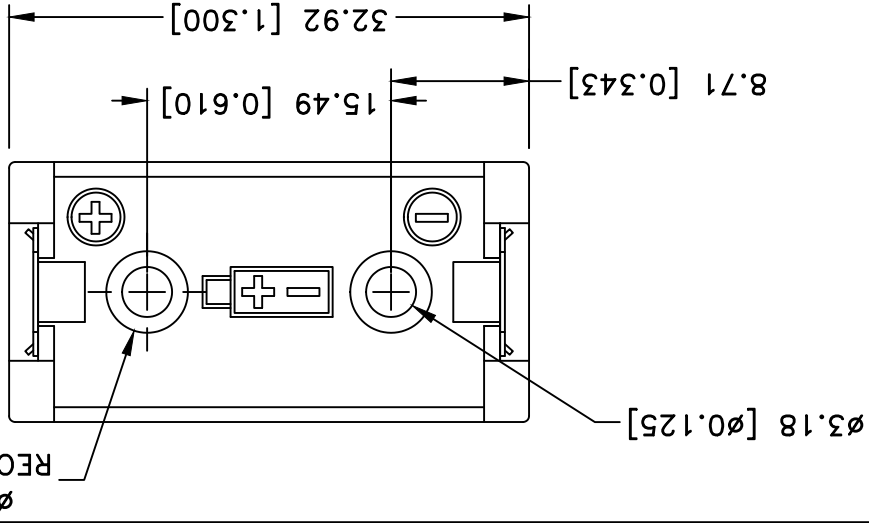


Date	SYM	REVISION RECORD	AUTH DR. CK.
12/11/15	C	UPDATED UL FILE NO.	T.B. B.S.
04/12/19	D	UPDATED TO "ROHS COMPLIANT"	T.B. B.S.

RECESS 2.3 [0.090]

16.51 [0.650]



SPECIFICATIONS:

Holder Material: Black PBT

Flammability Rating: UL94V-0, FILE #E51743

Contacts: 301 Spring temper stainless steel, nickel plated overall

Temperature Range: -55°C to +180°C

Vibration Test: 10-50-10 Hz swept in 60 seconds

X, Y, Z direction: 1 hour each direction, No dislodgement of the cell or damage, No discontinuity over 10 micro-seconds

Shock Test: Half sine wave acceleration 150g, 6 milliseconds, 1 shock pulses each direction per axis, total of 6 pulses, No evidence of physical damage

NOTES:

Eyelet Stimpson style #A1883 0.110" OD x 0.190" Flange

Flange Recess $\phi 0.203$ x 0.090" Deep

Accepts Standard 2-56 Machine Screws

Accessories: BI-UM-3-4, Insulator

ROHS COMPLIANT

Tolerance (Except as noted)



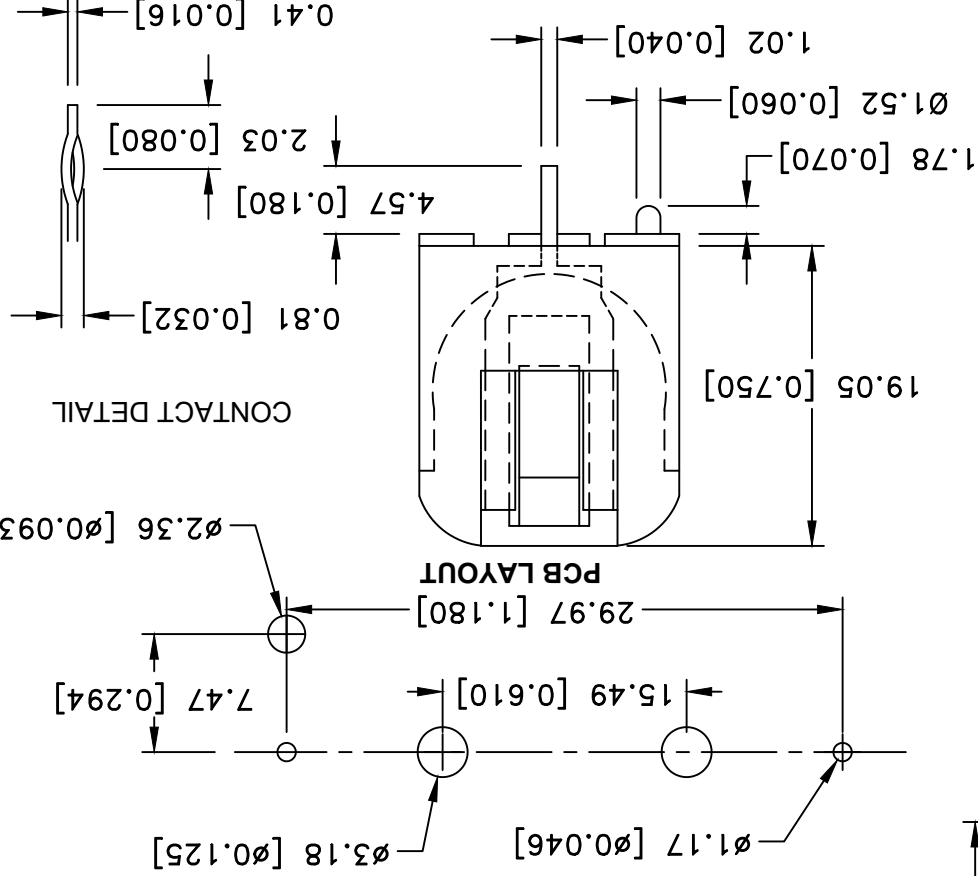
Memory Protection Devices, Inc
200 Broad Hollow Road, Farmingdale, New York 11735

decimal

±.5 (.020)

Fractional
±.8 (.030)

Angular
± 3°



Title
1/2AA BATTERY HOLDER, PCB MOUNTING
WITHOUT SOLDER DIPPED PCB TAILS

Date
04/12/19

Drawing Number
BH1/2AA-3

Scale

Drawn By B.S.

Approved By T.B.

X-ON Electronics

Largest Supplier of Electrical and Electronic Components

Click to view similar products for [mpd](#) manufacturer:

Other Similar products are found below :

[AS212-L](#) [BH24AAAL](#) [BC4AAAPC](#) [AP-130](#) [ZA5075](#) [BC4AAAL](#) [BK-5021](#) [ZA5070](#) [BC3AAPC](#) [ZA2060](#) [APP-004](#) [AP-133](#) [BH2/3AC](#)
[413717H](#) [BC22AAL](#) [SBH421AS](#) [BH48DW](#) [AP-124](#) [APP-001](#) [BC-2013](#) [BC3AAAPC](#) [AP-129](#) [ZA5074-B](#) [BS4T-HD](#) [ZA5350](#) [ZA5076](#)
[ABG-43](#) [SBH441AS](#) [ZA1060](#) [AP-131](#) [BH-20H-1T](#) [BE-2AAAA-PC](#) [BH26AAL](#) [BC2AAAL](#) [BHX1-1225-PC](#) [BH2/3A-SM](#) [BS6T](#) [BA2032](#)
[BH26DL](#) [BH1/2AA-3](#) [ZA5036](#) [BH2DL](#) [BC12AAL](#) [BH24AAAW](#) [BK-5091](#) [BH24AASF](#) [BC3AAL](#) [BH26AASF](#) [BH9VW](#) [BK-5003](#)