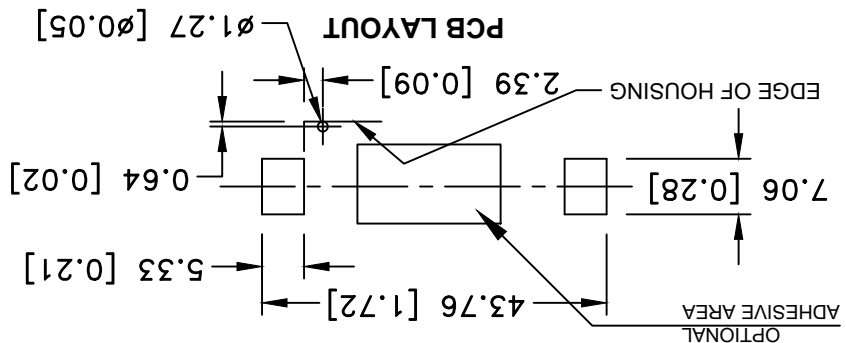
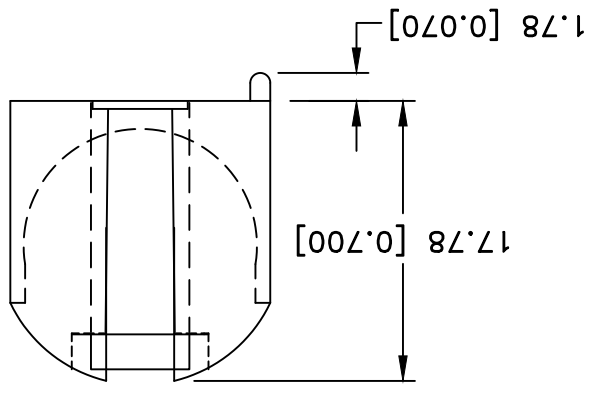
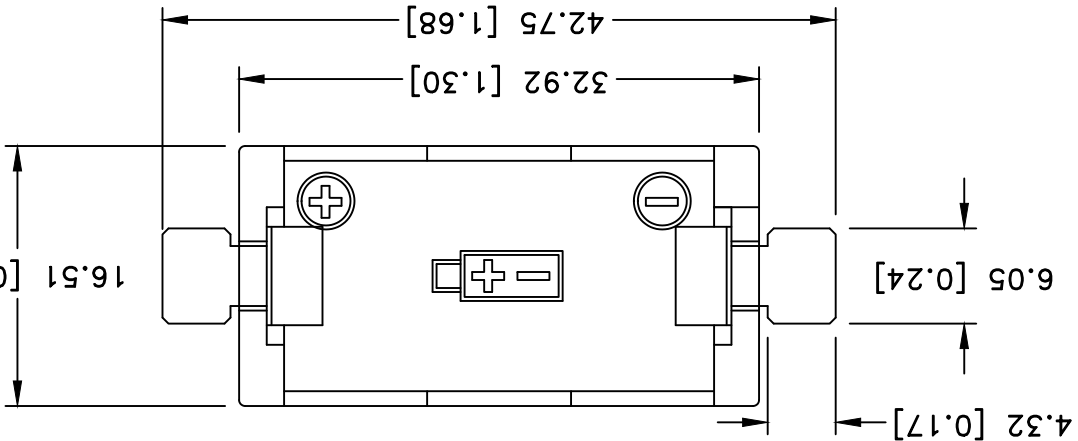
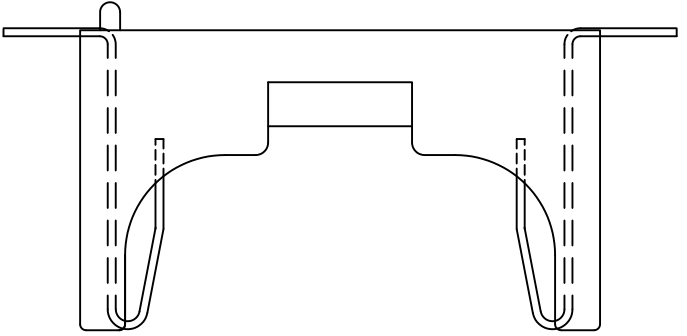


ROHS COMPLIANT

* RESULT: NO EVIDENCE OF PHYSICAL DAMAGE
 * DROP TEST: DROPPED FROM 1M HIGH TO CONCRETE FLOOR
 * RESULT: NO EVIDENCE OF PHYSICAL DAMAGE
 * SHOCK TEST: HALF SINE WAVE ACCELERATION 150G, 6 MICRO-SECONDS
 3 SHOCK PULSES EACH DIRECTION PER AXIS, TOTAL OF 18 PULSES
 * RESULT: NO DISCONTINUITY OVER 10 MICRO-SECONDS
 * SHOCK TEST: HALF SINE WAVE ACCELERATION 150G, 6 MICRO-SECONDS
 NO DISCONTINUITY OVER 10 MICRO-SECONDS
 * RESULT: NO DISLPGEMENT OF THE CELL OR DAMAGE
 X,Y,Z DIRECTION: 1 HOUR EACH DIRECTION
 * VIBRATION TEST: 10-50-10 HZ SWEEPED IN 60 SECONDS
 TEMPERATURE RANGE: -40°C TO +270°C
 GOLD FLASH 1u -3u
 CONTACTS: 301 SPRING TEMPER STAINLESS STEEL,
 FLAMMABILITY RATING:UL94-HB, FILE #E47960
 HOLDER MATERIAL: NYLON 46, 30% GLASS REINFORCED

SPECIFICATIONS:



Date	SYM	REVISION RECORD	AUTH	DR. CK.
5/22/09	A	ADDED TEST RESULTS	T.B.	B.S.
9/04/09	B	ADDED PIN LOCATION	T.B.	B.S.
7/17/17	C	UPDATED PCB LAYOUT	T.B.	B.S.
4/12/19	D	UPDATED TO "ROHS COMPLIANT"	T.B.	B.S.

Tolerance (Except as noted)	Memory Protection Devices, Inc MPD 200 Broad Hollow Road, Farmingdale, New York 11735
decimal ±.5 (.020)	Scale Drawn By B.S. Approved By T.B.
Fractional ±.8 (.030)	Title 1/2AA BATTERY HOLDER, PCB MOUNTING
Angular ± 3°	Date 04/12/19 Drawing Number BH1/2AA-SM

X-ON Electronics

Largest Supplier of Electrical and Electronic Components

Click to view similar products for [mpd](#) manufacturer:

Other Similar products are found below :

[AS212-L](#) [BH24AAAL](#) [BC4AAAPC](#) [ZA5075](#) [BC4AAAL](#) [AP-130](#) [BK-5021](#) [ZA5070](#) [BC3AAPC](#) [BH9VL](#) [APP-004](#) [AP-133](#) [BH2/3AC](#)
[413717H](#) [BC22AAL](#) [SBH421AS](#) [BH48DW](#) [AP-124](#) [APP-001](#) [BC-2013](#) [BC3AAAPC](#) [AP-129](#) [ZA5074-B](#) [BS4T-HD](#) [ZA5350](#) [ZA5076](#)
[ABG-43](#) [SBH441AS](#) [ZA1060](#) [AP-131](#) [BH-20H-1T](#) [BE-2AAAA-PC](#) [AS212](#) [BH26AAL](#) [BC2AAAL](#) [BHX1-1225-PC](#) [BH2/3A-SM](#) [BS6T](#)
[BA2032](#) [BH26DL](#) [BH1/2AA-3](#) [ZA5036](#) [BH2DL](#) [BC12AAL](#) [BH24AAAW](#) [BK-5091](#) [BH24AASF](#) [BC3AAL](#) [BH9VW](#) [BK-5003](#)