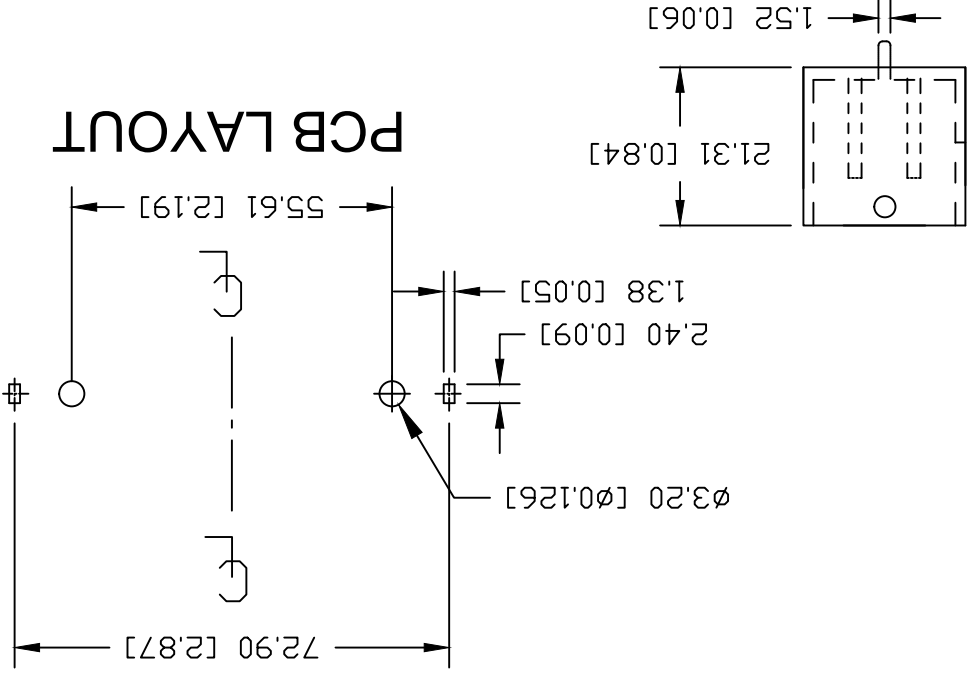
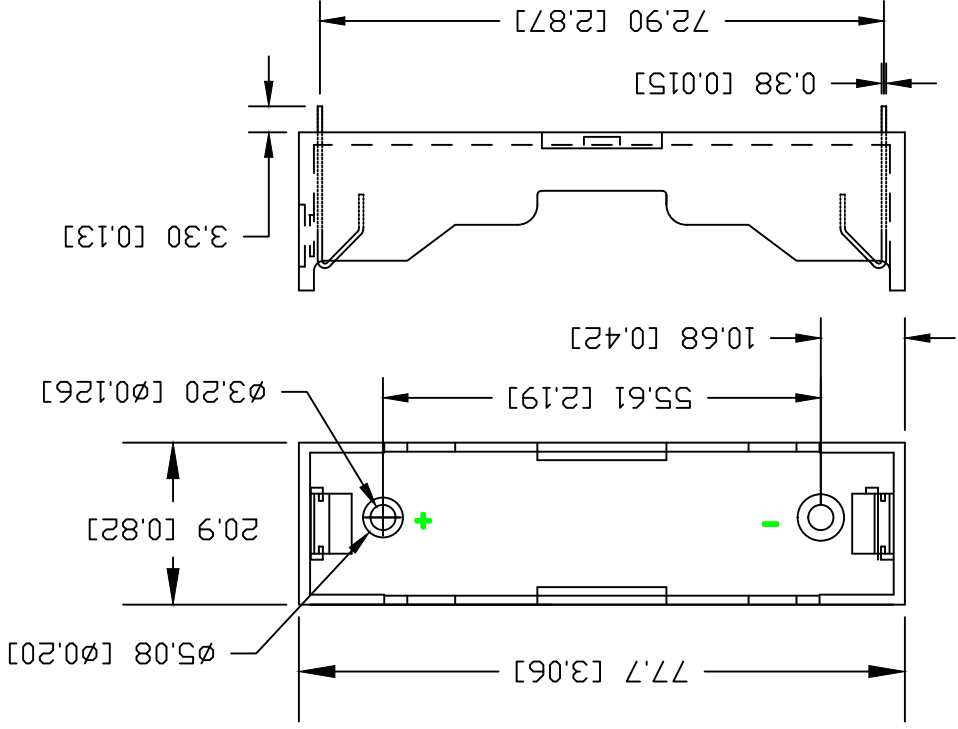


This battery holder is designed for use with protected 18650 batteries (PCB)

Date	SYM	REVISION RECORD	AUTH DR. CK.
09/16/11	A	UPDATED NOTES	T.B. B.S.
10/03/14	B	UPDATED TO ROHS 2 COMPLIANT	T.B. B.S.
06/30/17	C	UPDATED NOTES	T.B. B.S.
07/22/17	D	ADDED MOUNTING INSTRUCTION	T.B. B.S.
05/17/19	E	UPDATED NOTES	T.B. B.S.



NOTES:

Material: Self-extinguishing Thermoplastic Polyester, color black

Temperature Range: -40°C to +180°C

Contacts: 302 Stainless Steel Spring Temper, Nickel Plated

Flammability Rating: UL 94V-0

PC Pins: Steel, Nickel Plated

Dielectric Strength: 560 Volts/Mil. at 25°C for 5 Sec.

Resistance to Solvents: Xylene, ethyl, butyl, methyl & toluene

Weight: 11.60g

ROHS COMPLIANT

Mounting Instruction:

Use 2-56 machine screws or eyelets 0.089" OD by 0.15" flange stimpson GS-3 series or equivalent. also adhesives and double sided tapes work well.

Tolerance [Inches]	Decimal	Fractional	Title	Date	Angular
MPD	±.5 (.020)	±.8 (.030)	ONE 18650 LI-ION CELL HOLDER	05/17/19	± 3°
Memory Protection Devices, Inc	Scale	Drawn By B.S.	Approved By T.B.	Drawing Number	BH-18650-PC
200 Broad Hollow Road, Farmingdale, New York 11735					

X-ON Electronics

Largest Supplier of Electrical and Electronic Components

Click to view similar products for [mpd](#) manufacturer:

Other Similar products are found below :

[AS212-L](#) [BH24AAAL](#) [BC4AAAPC](#) [ZA5075](#) [BC4AAAL](#) [AP-130](#) [BK-5021](#) [ZA5070](#) [BC3AAPC](#) [BH9VL](#) [APP-004](#) [AP-133](#) [BH2/3AC](#)
[413717H](#) [BC22AAL](#) [SBH421AS](#) [BH48DW](#) [AP-124](#) [APP-001](#) [BC-2013](#) [BC3AAAPC](#) [AP-129](#) [ZA5074-B](#) [BS4T-HD](#) [ZA5350](#) [ZA5076](#)
[ABG-43](#) [SBH441AS](#) [ZA1060](#) [AP-131](#) [BH-20H-1T](#) [BE-2AAAA-PC](#) [AS212](#) [BH26AAL](#) [BC2AAAL](#) [BHX1-1225-PC](#) [BH2/3A-SM](#) [BS6T](#)
[BA2032](#) [BH26DL](#) [BH1/2AA-3](#) [ZA5036](#) [BH2DL](#) [BC12AAL](#) [BH24AAAW](#) [BK-5091](#) [BH24AASF](#) [BC3AAL](#) [BH9VW](#) [BK-5003](#)