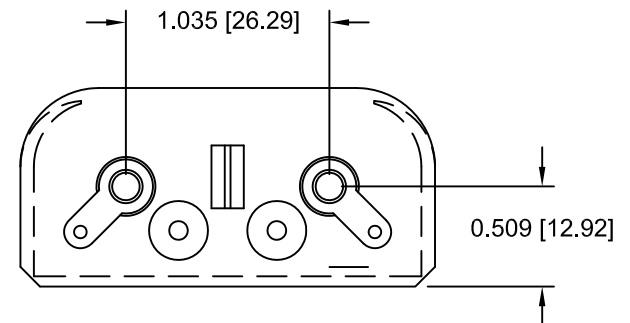
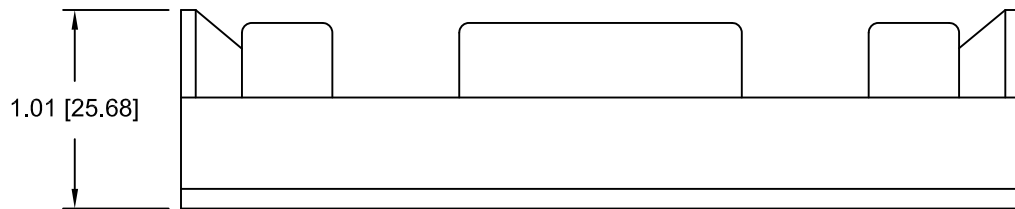
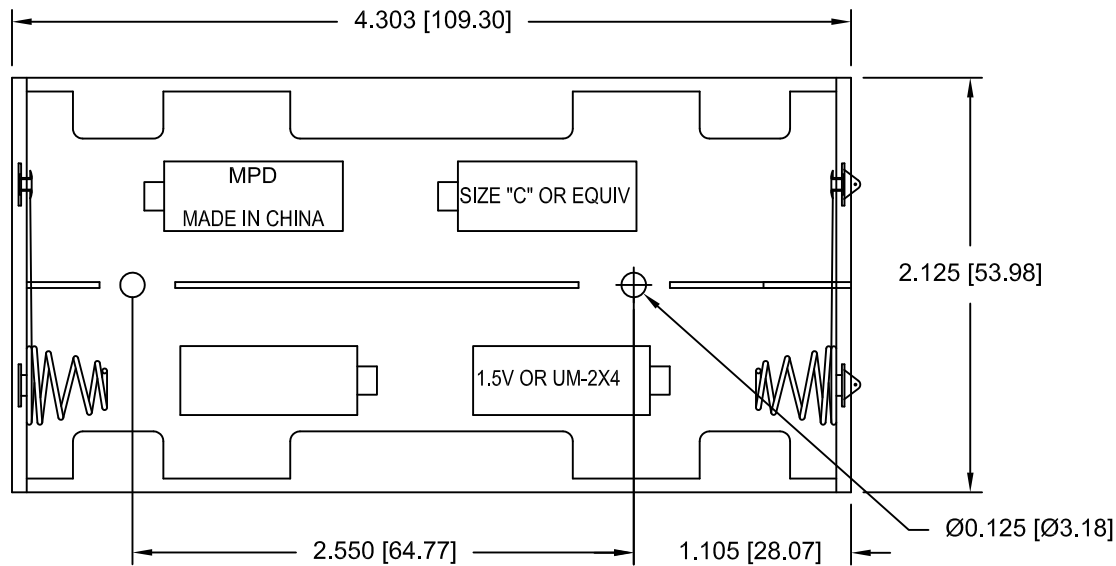



Date	SYM	REVISION RECORD	AUTH	DR.	CK.
3/07/08	D	DIM. 2.550 WAS 2.500 DIM. 1.105 WAS 1.143.	T.B.	B.S.	
11/16/12	E	RE-DRAWN DIM. 4.268 WAS 4.303	T.B.	B.S.	
8/06/14	F	UPDATED TO ROHS 2 COMPLIANT	T.B.	B.S.	
5/19/17	G	DIM.2.125 WAS 2.109 DIM. 3.18 WAS 3.17 DIM. 25.68 WAS 1.01	T.B.	B.S.	



SPECIFICATIONS

Plastic material - Polypropylene
 Flammability Rating -UL94-HB, UL File NO. E216959
 Temperature Range: -10°C to +100°C
 Springs - Nickel Plated Spring Steel
 Rivets - Brass, Nickel Plated
 Solder Lugs: Steel, Nickel Plated
 Contact Resistance: Under 50mΩ FOR +/- Contacts per
 EIA-540J000
 ROHS 2 COMPLIANT

Tolerance (Except as noted)	 Memory Protection Devices, Inc 200 Broad Hollow Road, Farmingdale, New York 11735	Scale	Drawn By T.S.
			Approved By T.B.
decimal ±.020 (.5)	Title FOUR "C" CELL HOLDER WITH SOLDER LUGS	1=1	
Fractional ± .030 (.8)		Date 5/19/17	Drawing Number BH24CL
Angular ± 3°			

X-ON Electronics

Largest Supplier of Electrical and Electronic Components

Click to view similar products for [mpd](#) manufacturer:

Other Similar products are found below :

[AS212-L](#) [BH24AAAL](#) [BC4AAAPC](#) [ZA5075](#) [BC4AAAL](#) [AP-130](#) [BK-5021](#) [ZA5070](#) [BC3AAPC](#) [BH9VL](#) [APP-004](#) [AP-133](#) [BH2/3AC](#)
[413717H](#) [BC22AAL](#) [SBH421AS](#) [BH48DW](#) [AP-124](#) [APP-001](#) [BC-2013](#) [BC3AAAPC](#) [AP-129](#) [ZA5074-B](#) [BS4T-HD](#) [ZA5350](#) [ZA5076](#)
[ABG-43](#) [SBH441AS](#) [ZA1060](#) [AP-131](#) [BH-20H-1T](#) [BE-2AAAA-PC](#) [AS212](#) [BH26AAL](#) [BC2AAAL](#) [BHX1-1225-PC](#) [BH2/3A-SM](#) [BS6T](#)
[BA2032](#) [BH26DL](#) [BH1/2AA-3](#) [ZA5036](#) [BH2DL](#) [BC12AAL](#) [BH24AAAW](#) [BK-5091](#) [BH24AASF](#) [BC3AAL](#) [BH9VW](#) [BK-5003](#)