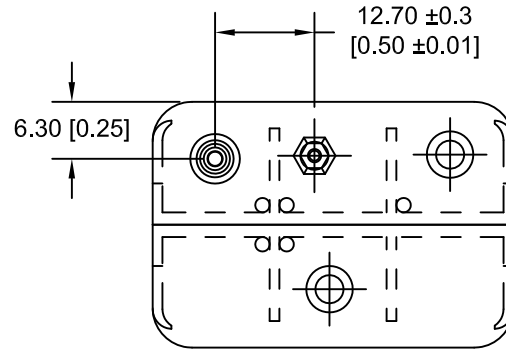
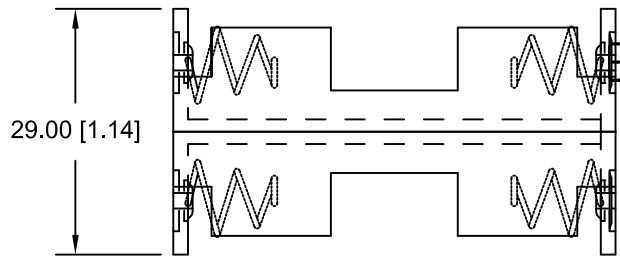
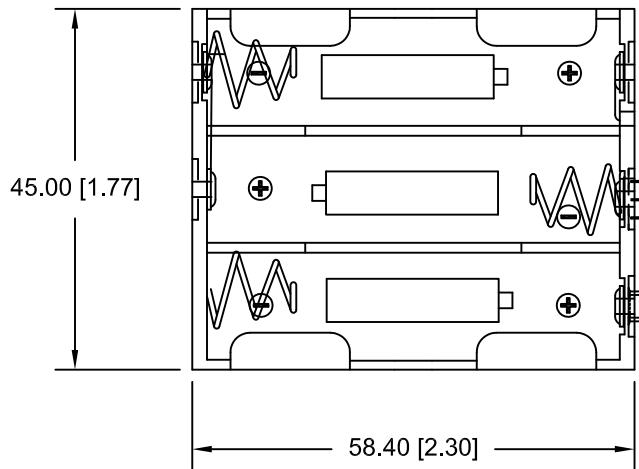



Date	SYM	REVISION RECORD	AUTH	DR.	CK.
05/06/06	C	ADDED CONTACT RESI. INFO.	T.B.	B.S.	
11/08/13	D	REDRAWN IN AUTOCAD UPDATED SPECIFICATION	T.B.	B.S.	
12/16/16	E	DIM. 29.00 WAS 28.90 DIM. 45.00 WAS 44.90	T.B.	B.S.	
06/27/17	F	ADDED TOLERANCE TO DIM. 12.70	T.B.	B.S.	



SPECIFICATIONS:

Plastic Material: Polypropylene
 Flammability rating: UL94 HB, UL File # E216959
 Temperature Range: -10°C to +100°C
 Springs: Nickel Plated Spring Steel
 Rivets: Brass, Nickel Plated
 9V Snaps: Brass, Nickel Plated
 Contact resistance: Under 50mΩ for +/- contacts per EIA-540J000
 ROHS 2 COMPLIANT

Tolerance (Inches)	 Memory Protection Devices, Inc 200 Broad Hollow Road, Farmingdale, New York 11735		
Decimal ±.5 (.020)	Scale	Drawn By B.S.	
Fractional ± .8 (.030)	Title 6 "AA" BATTERY HOLDER WITH SNAP FASTENERS		
Angular ± 3°	Date 06/27/17	Drawing Number BH26AASF	
		Approved By T.B.	

X-ON Electronics

Largest Supplier of Electrical and Electronic Components

Click to view similar products for [mpd](#) manufacturer:

Other Similar products are found below :

[AS212-L](#) [BH24AAAL](#) [BC4AAAPC](#) [AP-130](#) [ZA5075](#) [BC4AAAL](#) [BK-5021](#) [ZA5070](#) [BC3AAPC](#) [ZA2060](#) [APP-004](#) [AP-133](#) [BH2/3AC](#)
[413717H](#) [BC22AAL](#) [SBH421AS](#) [BH48DW](#) [AP-124](#) [APP-001](#) [BC-2013](#) [BC3AAAPC](#) [AP-129](#) [ZA5074-B](#) [BS4T-HD](#) [ZA5350](#) [ZA5076](#)
[ABG-43](#) [SBH441AS](#) [ZA1060](#) [AP-131](#) [BH-20H-1T](#) [BE-2AAAA-PC](#) [BH26AAL](#) [BC2AAAL](#) [BHX1-1225-PC](#) [BH2/3A-SM](#) [BS6T](#) [BA2032](#)
[BH26DL](#) [BH1/2AA-3](#) [ZA5036](#) [BH2DL](#) [BC12AAL](#) [BH24AAAW](#) [BK-5091](#) [BH24AASF](#) [BC3AAL](#) [BH26AASF](#) [BH9VW](#) [BK-5003](#)