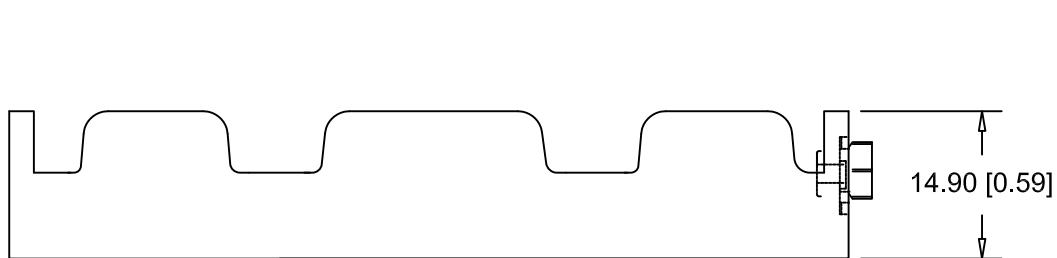
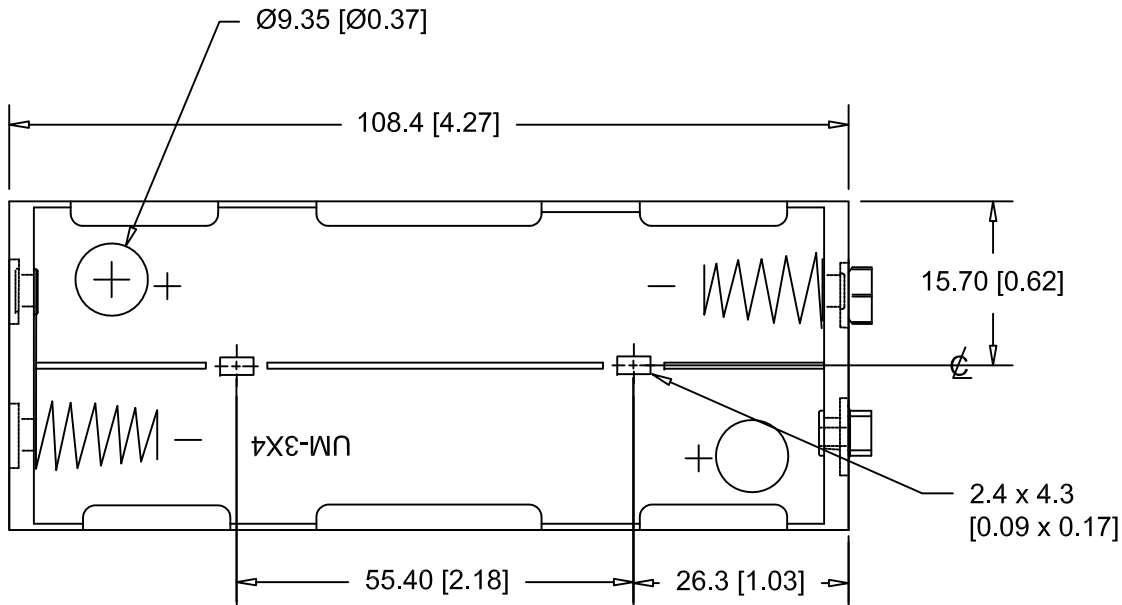



| Date | SYM | REVISION RECORD | AUTH | DR. | CK. |
|----------|-----|---|------|------|-----|
| 07/12/13 | B | UPDATED TO ROHS 2 COMPLIANT | T.B. | B.S. | |
| 05/12/17 | C | DIM. 108.4 WAS 108.46 ADDED MOUNTING HOLES | T.B. | B.S. | |
| | | | | | |
| | | | | | |



SPECIFICATIONS :

Plastic material - polypropylene
 Flammability Rating-UL94 HB, UL File No. E216959
 Temperature RangeE: -10°C to +100°C
 Springs - nickel plated spring steel
 Rivets - Brass, nickel plated
 9V Snaps: Brass, nickel plated
 Contact Resistance: Under 50mΩ for +/- contacts per EIA-540J000
 ROHS 2 COMPLIANT

| | | | |
|--------------------------------|---|----------------------------|---------------|
| Tolerance (Except as noted) |  Memory Protection Devices, Inc 200 Broad Hollow Road, Farmingdale, New York 11735 | | |
| decimal ±.5 (.020) | | Scale | Drawn By B.S. |
| Fractional ± .8 (.030) | Title FOUR "AA" CELL HOLDER WITH SNAP FASTENERS | | |
| Angular ± 3° | Date 05/12/17 | Drawing Number BH34AASF | |
| | | Approved By T.B. | |

X-ON Electronics

Largest Supplier of Electrical and Electronic Components

Click to view similar products for [mpd](#) manufacturer:

Other Similar products are found below :

[AS212-L](#) [BH24AAAL](#) [BC4AAAPC](#) [ZA5075](#) [BC4AAAL](#) [AP-130](#) [BK-5021](#) [ZA5070](#) [BC3AAPC](#) [BH9VL](#) [APP-004](#) [AP-133](#) [BH2/3AC](#)
[413717H](#) [BC22AAL](#) [SBH421AS](#) [BH48DW](#) [AP-124](#) [APP-001](#) [BC-2013](#) [BC3AAAPC](#) [AP-129](#) [ZA5074-B](#) [BS4T-HD](#) [ZA5350](#) [ZA5076](#)
[ABG-43](#) [SBH441AS](#) [ZA1060](#) [AP-131](#) [BH-20H-1T](#) [BE-2AAAA-PC](#) [AS212](#) [BH26AAL](#) [BC2AAAL](#) [BHX1-1225-PC](#) [BH2/3A-SM](#) [BS6T](#)
[BA2032](#) [BH26DL](#) [BH1/2AA-3](#) [ZA5036](#) [BH2DL](#) [BC12AAL](#) [BH24AAAW](#) [BK-5091](#) [BH24AASF](#) [BC3AAL](#) [BH9VW](#) [BK-5003](#)