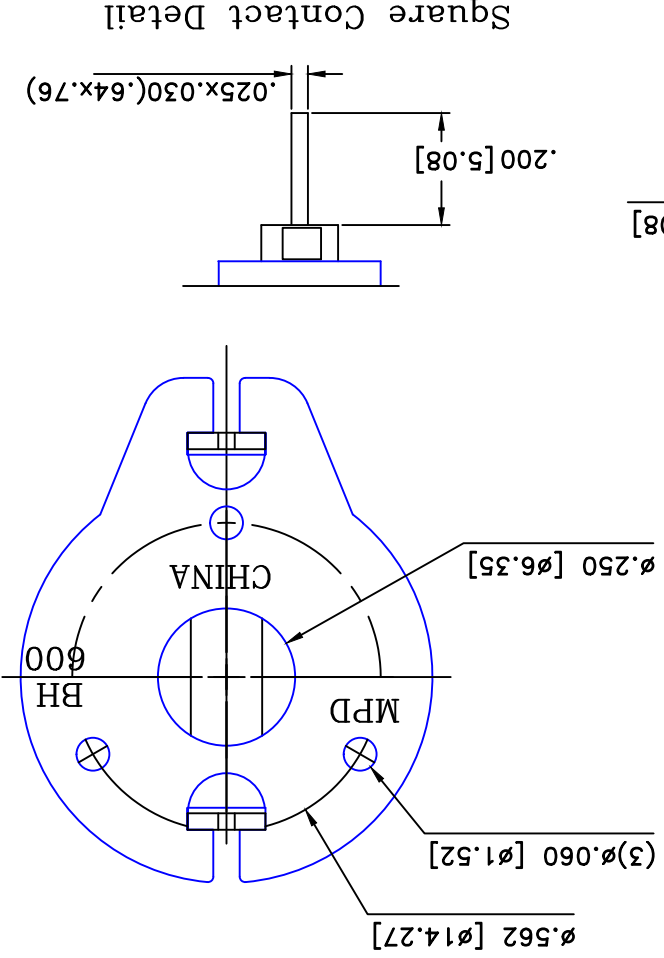
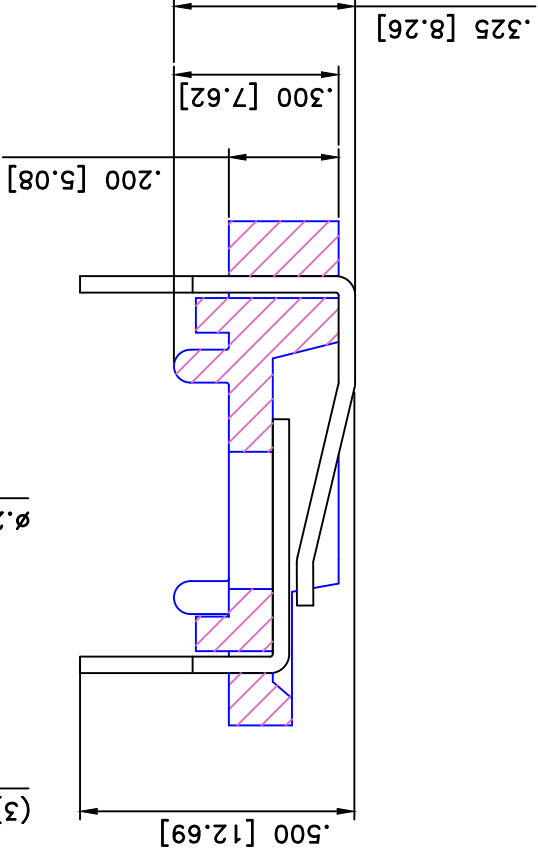
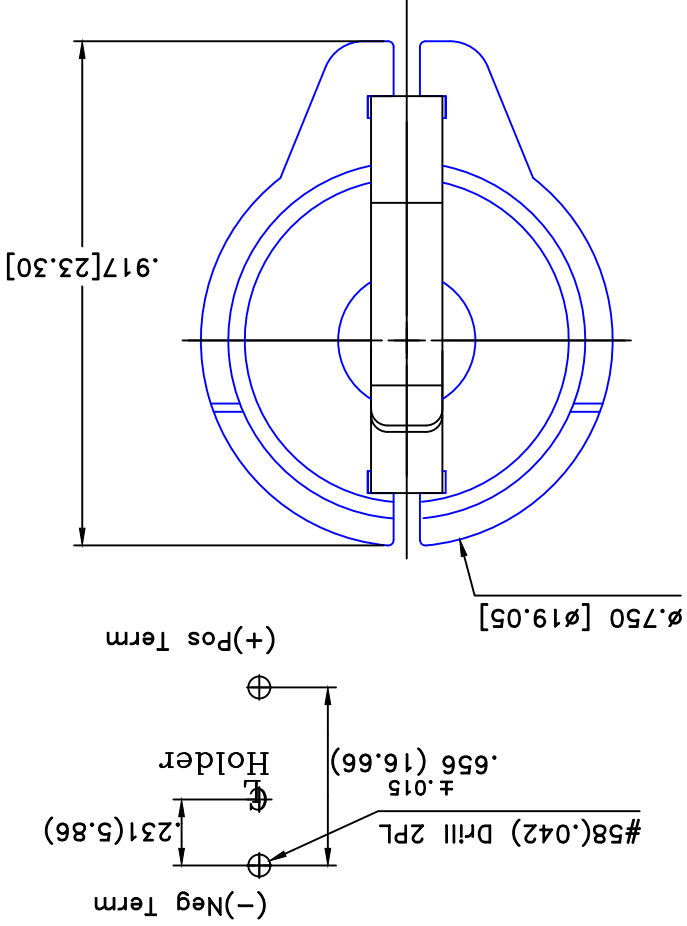


SPECIFICATIONS

- *Holder material-thermoplastic, black PBT
 - *Flammability rating-UL94V-0, File No.88499(M)
 - *Contacts-Stainless Steel spring temper
 - *Gold Flash Finish
 - *Dielectric strength-560volts/mil at 25°C for 5seconds
 - *Temperature range- -55° to +180°C
 - *Resistance to solvents-Xylene,ethyl,butyl,methyl&propyl alcohol;ethyl acetate,heptane;toluene;refrigerant
 - *Approximate weight: 1.68g
- ROHS COMPLIANT



Tolerance (Except as noted)	decimal $\pm .5$ (.020)	Fractional $\pm .8$ (.030)	Angular $\pm 3^\circ$
--------------------------------	----------------------------	-------------------------------	--------------------------



Memory protection Devices, Inc
200 Broad Hollow Road, Farmingdale, New York 11735

Drawn By B.S.	Scale 4=1	Approved By T.B.
Drawn By B.S.		

Title BR/CR/DL 1620/1632 COIN BATTERY HOLDER	Date 11/07/19	Drawing Number BH600-G
---	------------------	---------------------------

Date	SYM	REVISION RECORD	AUTH DR. CK.
11/07/19	D	Added weight of the part	T.B. B.S.

X-ON Electronics

Largest Supplier of Electrical and Electronic Components

Click to view similar products for [mpd](#) manufacturer:

Other Similar products are found below :

[AS212-L](#) [BH24AAAL](#) [BC4AAAPC](#) [ZA5075](#) [BC4AAAL](#) [AP-130](#) [BK-5021](#) [ZA5070](#) [BC3AAPC](#) [BH9VL](#) [APP-004](#) [AP-133](#) [BH2/3AC](#)
[413717H](#) [BC22AAL](#) [SBH421AS](#) [BH48DW](#) [AP-124](#) [APP-001](#) [BC-2013](#) [BC3AAAPC](#) [AP-129](#) [ZA5074-B](#) [BS4T-HD](#) [ZA5350](#) [ZA5076](#)
[ABG-43](#) [SBH441AS](#) [ZA1060](#) [AP-131](#) [BH-20H-1T](#) [BE-2AAAA-PC](#) [AS212](#) [BH26AAL](#) [BC2AAAL](#) [BHX1-1225-PC](#) [BH2/3A-SM](#) [BS6T](#)
[BA2032](#) [BH26DL](#) [BH1/2AA-3](#) [ZA5036](#) [BH2DL](#) [BC12AAL](#) [BH24AAAW](#) [BK-5091](#) [BH24AASF](#) [BC3AAL](#) [BH9VW](#) [BK-5003](#)