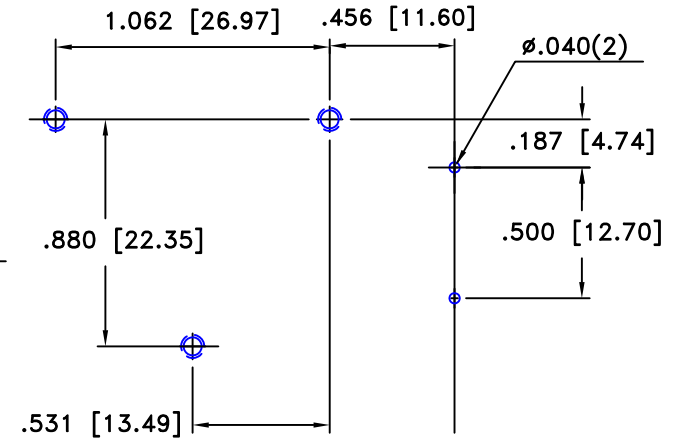
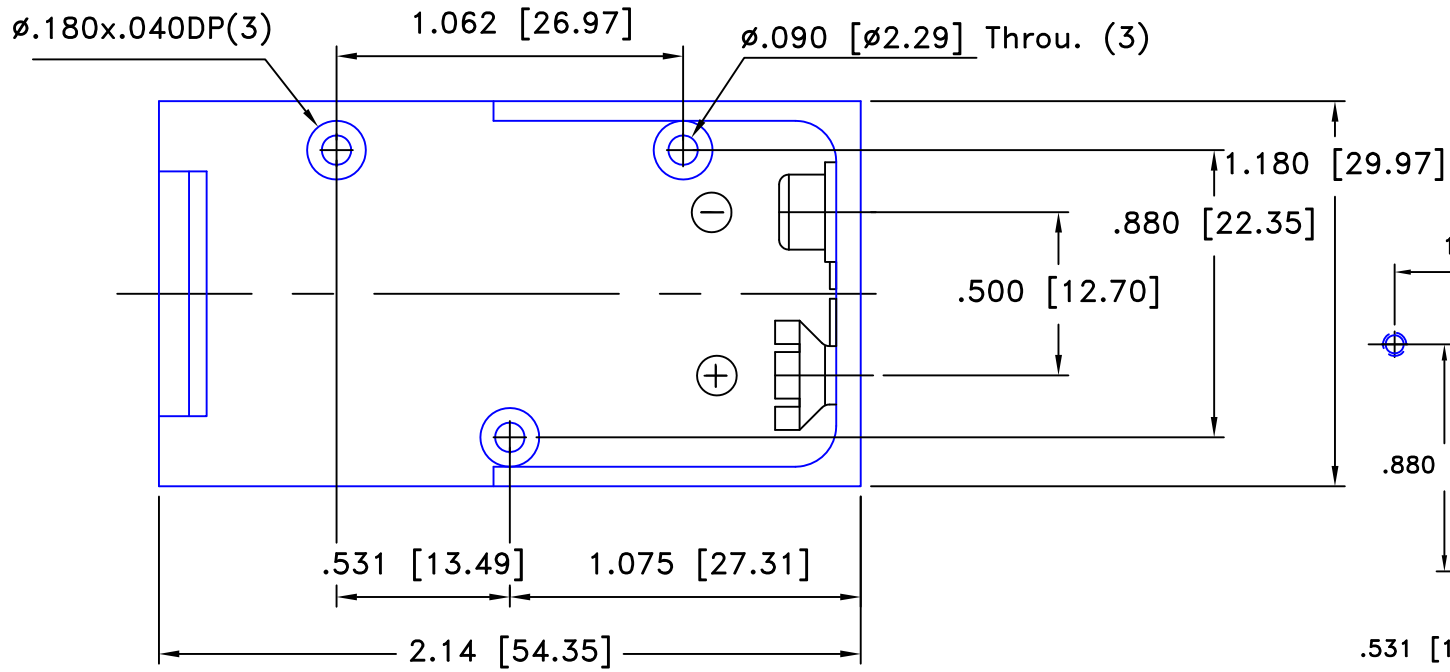
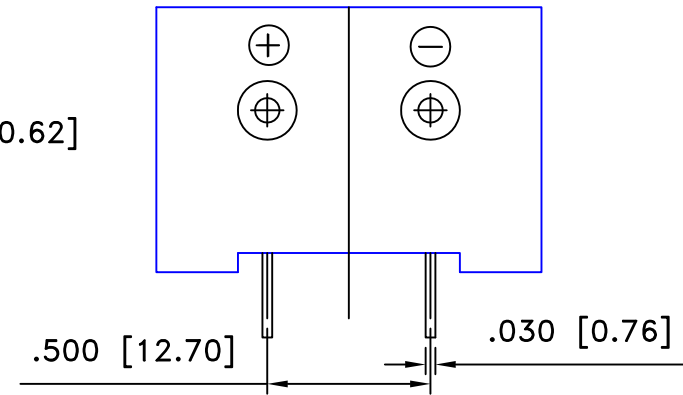
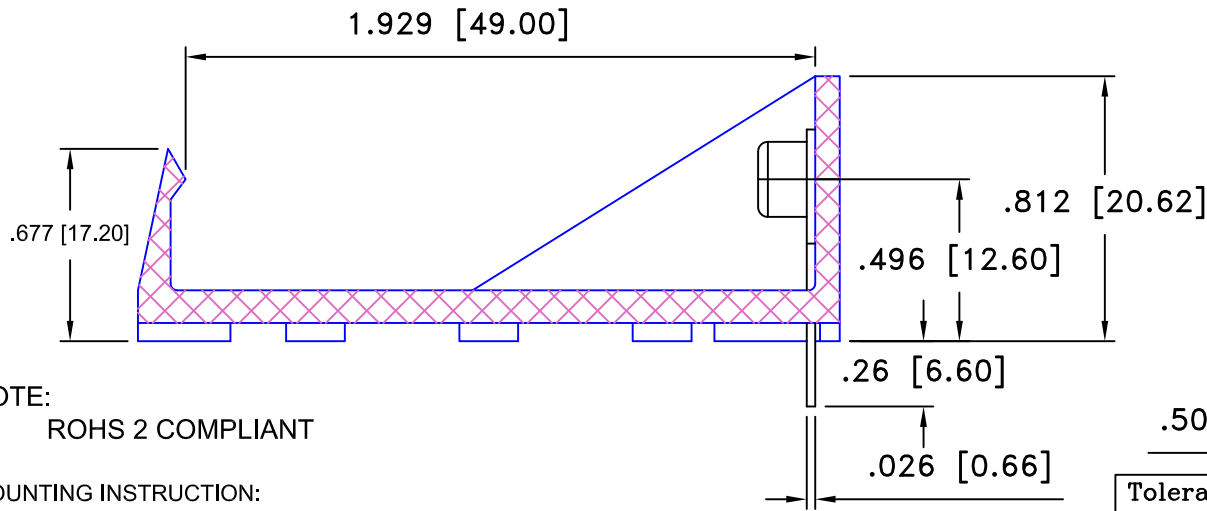


Date	SYM	REVISION RECORD	AUTH	DR.	CK.
6/13/14	D	Updated to ROHS 2 Compliant	T.B.	B.S.	
3/31/17	E	Updated title and material note	T.B.	B.S.	
5/05/17	F	Dim. .677 was .67	T.B.	B.S.	




PCB LAYOUT



NOTE:  
ROHS 2 COMPLIANT

MOUNTING INSTRUCTION:  
USE 2-56 MACHINE SCREWS OR EYELETS 0.089" OD  
BY 0.15" FLANGE STIMPSON GS-3 SERIES OR EQUIVALENT.  
ALSO ADHESIVES AND DOUBLE SIDED TAPES WORK WELL.

Tolerance (Except as noted)		 <b>Memory Protection Devices, Inc</b> 200 Broad Hollow Road, Farmingdale, New York 11735	
decimal	±.5 (.020)	Scale	2=1
Fractional	± .8 (.030)	Drawn By	T.S.
Angular	± 3°	Approved By	T.B.
Title		9 VOLT BATTERY HOLDER WITH PC PINS	
Date	05/05/17	Drawing Number	BH9VPC

TERMINALS	PC TERMINALS	NICKEL PLATED STEEL
WASHER	INSULATOR	RUBBER
HOLDER	HOLDER UL94V-0, FILE No. E56070 (S)	HIGH IMPACT ABS BLACK, UL940-0
CONTACTS	BRASS SNAPS	NICKEL PLATED BRASS
PART	DESCRIPTION	MATERIAL

## **X-ON Electronics**

Largest Supplier of Electrical and Electronic Components

*Click to view similar products for [mpd](#) manufacturer:*

Other Similar products are found below :

[AS212-L](#) [BH24AAAL](#) [BC4AAAPC](#) [ZA5075](#) [BC4AAAL](#) [AP-130](#) [BK-5021](#) [ZA5070](#) [BC3AAPC](#) [BH9VL](#) [APP-004](#) [AP-133](#) [BH2/3AC](#)  
[413717H](#) [BC22AAL](#) [SBH421AS](#) [BH48DW](#) [AP-124](#) [APP-001](#) [BC-2013](#) [BC3AAAPC](#) [AP-129](#) [ZA5074-B](#) [BS4T-HD](#) [ZA5350](#) [ZA5076](#)  
[ABG-43](#) [SBH441AS](#) [ZA1060](#) [AP-131](#) [BH-20H-1T](#) [BE-2AAAA-PC](#) [AS212](#) [BH26AAL](#) [BC2AAAL](#) [BHX1-1225-PC](#) [BH2/3A-SM](#) [BS6T](#)  
[BA2032](#) [BH26DL](#) [BH1/2AA-3](#) [ZA5036](#) [BH2DL](#) [BC12AAL](#) [BH24AAAW](#) [BK-5091](#) [BH24AASF](#) [BC3AAL](#) [BH9VW](#) [BK-5003](#)