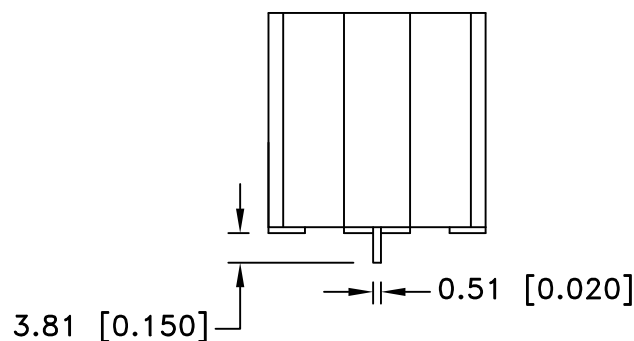
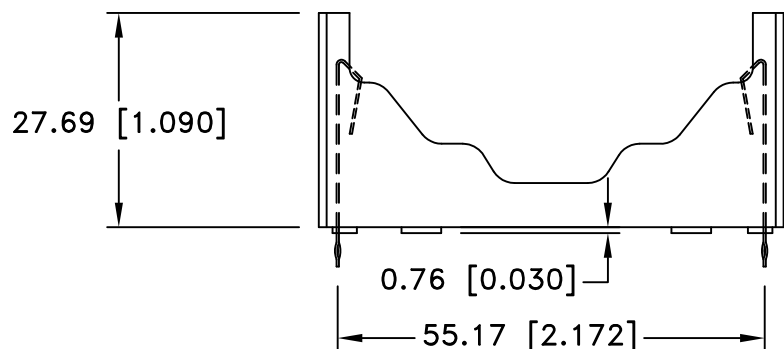
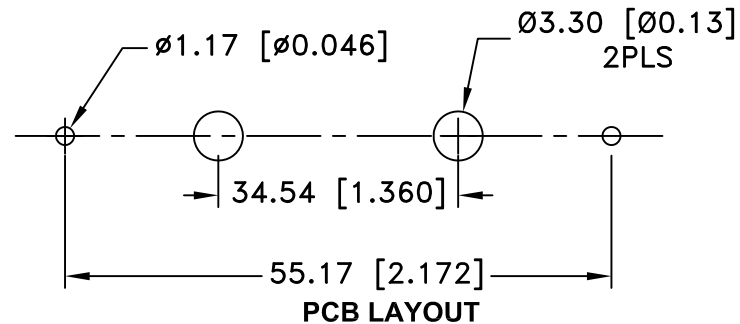
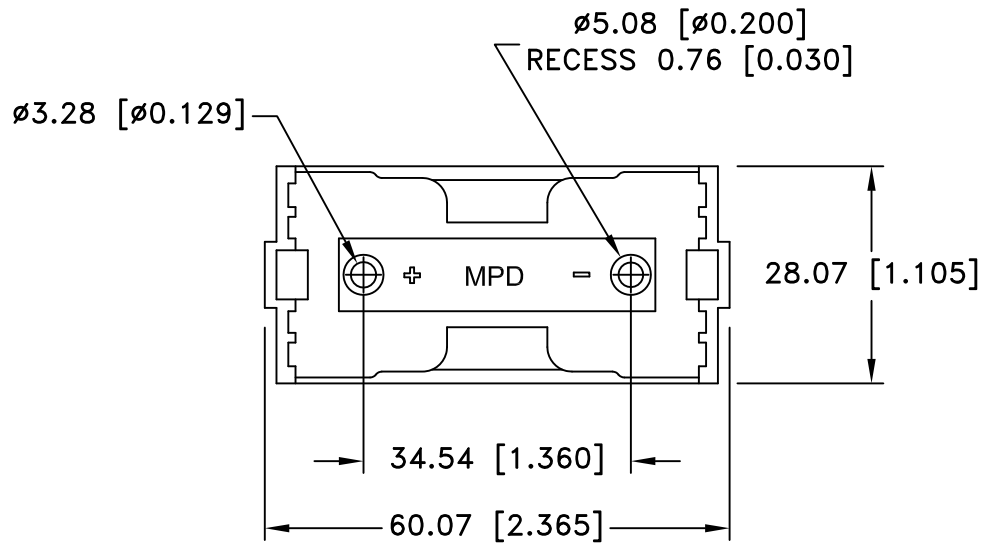



Date	SYM	REVISION RECORD	AUTH	DR.	CK.
1/28/06	A	UPDATED NOTES AND ADDED "ROHS COMPLIANT"	T.B.	B.S.	
8/06/14	B	UPDATED TO ROHS 2 COMPLIANT	T.B.	B.S.	
12/11/15	C	UPDATED CONTACT MATERIAL AND ADDED UL FILE NO.	T.B.	B.S.	



NOTES:

MATERIAL:

Holder: PBT, 30% Glass, Black, UL94V-0, ULFile No. E51743
 Contacts: 301 Stn. Stl., $\frac{3}{4}$ hard, Spring temper, Nickel Plated Overall
 Temperature Range: -30°C to +180°C
 Vibration Test: 10-50-10 Hz swept in 60 seconds
 X,Y,Z direction: 1 hour each direction, No dislodgement of the cell or damage, No discontinuity over 10 micro-seconds
 Shock Test: Half sine wave acceleration 150g. 6 micro-seconds, 1 shock pulses each direction per axis, total of 6 pulses,
 No evidence of physical damage
 ROHS 2 COMPLIANT

Tolerance (Except as noted)	 Memory Protection Devices, Inc 200 Broad Hollow Road, Farmingdale, New York 11735	Scale	Drawn By B.S.
			Approved By T.B.
decimal $\pm .5$ (.020)	Title C CELL HOLDER WITH PC PINS		
Fractional $\pm .8$ (.030)		Date 12/11/15	Drawing Number BHC-2
Angular $\pm 3^\circ$			

X-ON Electronics

Largest Supplier of Electrical and Electronic Components

Click to view similar products for [mpd](#) manufacturer:

Other Similar products are found below :

[AS212-L](#) [BH24AAAL](#) [BC4AAAPC](#) [ZA5075](#) [BC4AAAL](#) [AP-130](#) [BK-5021](#) [ZA5070](#) [BC3AAPC](#) [BH9VL](#) [APP-004](#) [AP-133](#) [BH2/3AC](#)
[413717H](#) [BC22AAL](#) [SBH421AS](#) [BH48DW](#) [AP-124](#) [APP-001](#) [BC-2013](#) [BC3AAAPC](#) [AP-129](#) [ZA5074-B](#) [BS4T-HD](#) [ZA5350](#) [ZA5076](#)
[ABG-43](#) [SBH441AS](#) [ZA1060](#) [AP-131](#) [BH-20H-1T](#) [BE-2AAAA-PC](#) [AS212](#) [BH26AAL](#) [BC2AAAL](#) [BHX1-1225-PC](#) [BH2/3A-SM](#) [BS6T](#)
[BA2032](#) [BH26DL](#) [BH1/2AA-3](#) [ZA5036](#) [BH2DL](#) [BC12AAL](#) [BH24AAAW](#) [BK-5091](#) [BH24AASF](#) [BC3AAL](#) [BH9VW](#) [BK-5003](#)