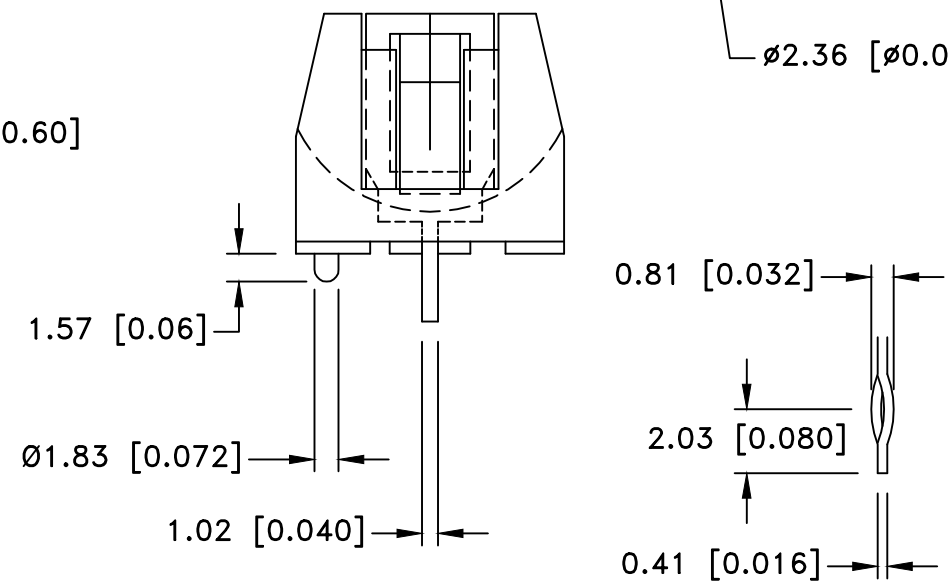
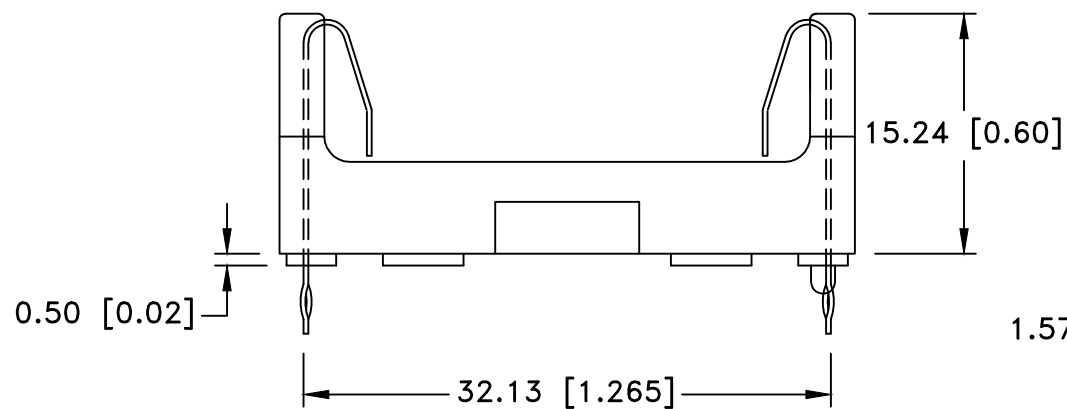
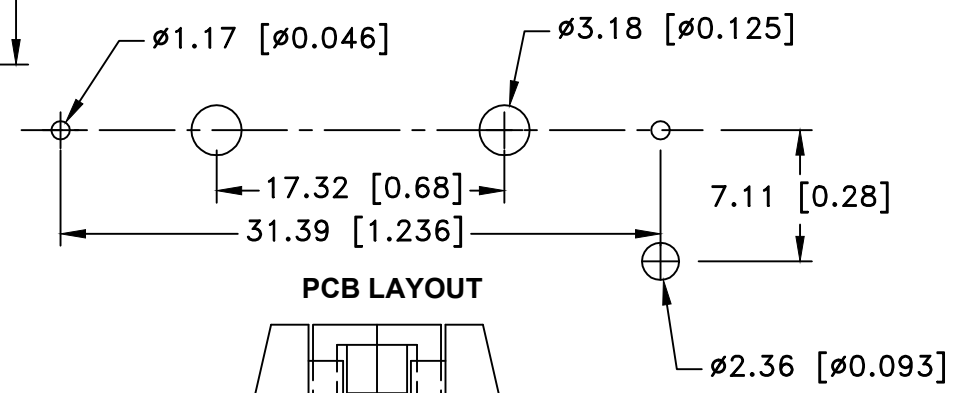



Date	SYM	REVISION RECORD	AUTH	DR.	CK.
06/30/17	E	DIM. 32.13 WAS 31.70	T.B.	B.S.	
07/22/17	F	UPDATED MOUNTING INSTRUCTION	T.B.	B.S.	
09/08/17	G	REMOVED NOTE "SOLDER DIPPED PCB TAILS"	T.B.	B.S.	



**SPECIFICATIONS:**  
 HOLDER MATERIAL: SELF EXTINGUISHING THERMOPLASTIC, BLACK PBT  
 FLAMMABILITY RATING: UL94V-0, FILE #E53829  
 CONTACTS: 302 SPRING TEMPER STAINLESS STEEL, NICKEL PLATED OVERALL  
 DIELECTRIC STRENGTH: 560 VOLTS/MIL AT 25°C FOR 5 SEC.  
 TEMPERATURE RANGE: -55°C TO +180°C  
 RESISTANCE TO SOLVENTS: XYLENE, ETHYL, BUTYL, METHYL, PROPYL ALCOHOL, ETHYL ACETATE, HEPTANE, TOLUENE, REFRIGERANT

ROHS 2 COMPLIANT

**Mounting Instruction:**  
 Use 2-56 machine screws or eyelets 0.089" OD by 0.15" flange stimpson GS-3 series or equivalent. also adhesives and double sided tapes work well.

Tolerance (Except as noted)	 <b>Memory Protection Devices, Inc</b> 200 Broad Hollow Road, Farmingdale, New York 11735			
	decimal ±.5 (.020)		Scale	Drawn By B.S. Approved By T.B.
Fractional ± .8 (.030)	Title CR2 BATTERY HOLDER, PCB MOUNTING			
Angular ± 3°	Date 09/08/17	Drawing Number BH-CR2-PC		

## **X-ON Electronics**

Largest Supplier of Electrical and Electronic Components

*Click to view similar products for [mpd](#) manufacturer:*

Other Similar products are found below :

[AS212-L](#) [BH24AAAL](#) [BC4AAAPC](#) [ZA5075](#) [BC4AAAL](#) [AP-130](#) [BK-5021](#) [ZA5070](#) [BC3AAPC](#) [BH9VL](#) [APP-004](#) [AP-133](#) [BH2/3AC](#)  
[413717H](#) [BC22AAL](#) [SBH421AS](#) [BH48DW](#) [AP-124](#) [APP-001](#) [BC-2013](#) [BC3AAAPC](#) [AP-129](#) [ZA5074-B](#) [BS4T-HD](#) [ZA5350](#) [ZA5076](#)  
[ABG-43](#) [SBH441AS](#) [ZA1060](#) [AP-131](#) [BH-20H-1T](#) [BE-2AAAA-PC](#) [AS212](#) [BH26AAL](#) [BC2AAAL](#) [BHX1-1225-PC](#) [BH2/3A-SM](#) [BS6T](#)  
[BA2032](#) [BH26DL](#) [BH1/2AA-3](#) [ZA5036](#) [BH2DL](#) [BC12AAL](#) [BH24AAAW](#) [BK-5091](#) [BH24AASF](#) [BC3AAL](#) [BH9VW](#) [BK-5003](#)