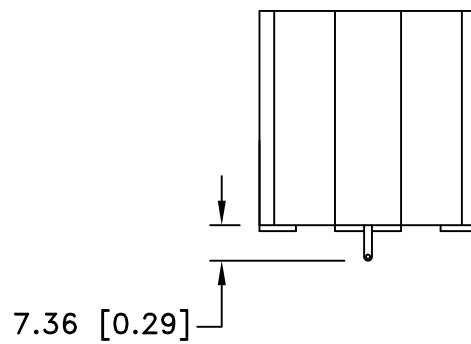
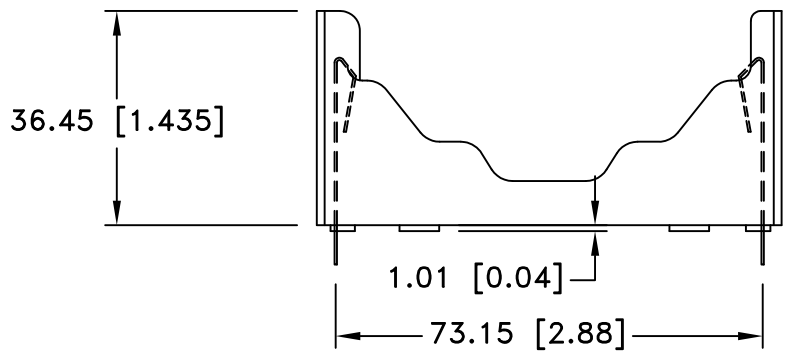
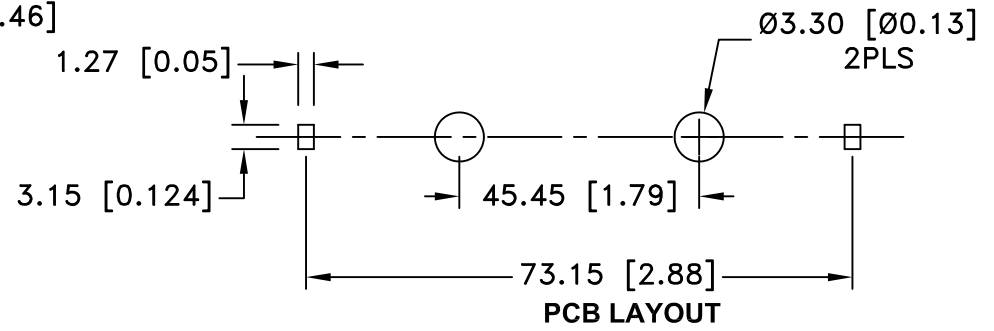
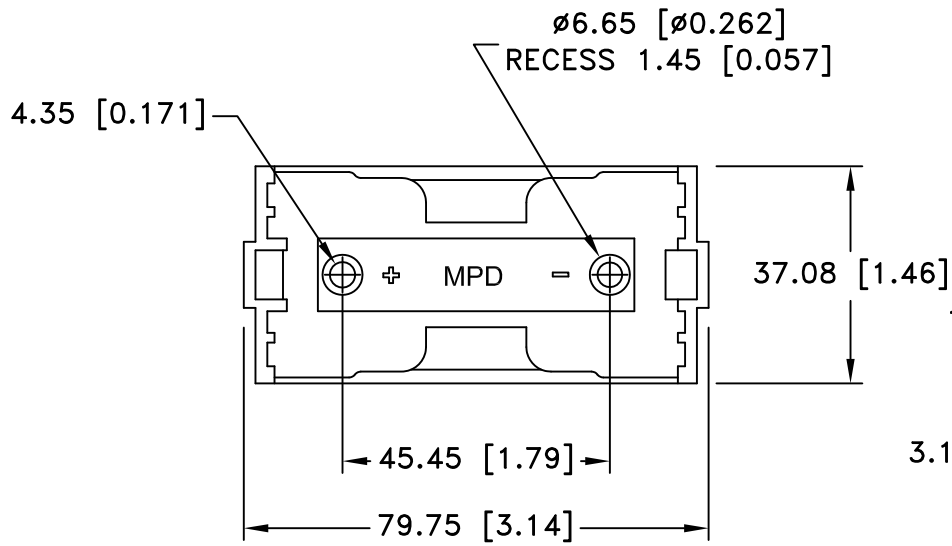



Date	SYM	REVISION RECORD	AUTH	DR.	CK.
8/20/10	A	Added Temperature Range	T.B.	B.S.	
6/13/14	B	Updated to RHOS 2 Compliant	T.B.	B.S.	
9/04/15	C	Updated Title	T.B.	B.S.	



NOTES:

MATERIAL:

Holder: PBT, 30% Glass, Black, UL94V-0
 Temperature Range: -55°C TO +180°C
 Contacts: 302 Stn. Stl., Spring temper, Nickel Plated Overall
 Vibration Test: 10-50-10 Hz swept in 60 seconds
 X,Y,Z direction: 1 hour each direction, No dislodgement of the cell or damage, No discontinuity over 10 micro-seconds
 Shock Test: Half sine wave acceleration 150g. 6 milliseconds, 1 shock pulses each direction per axis, total of 6 pulses, No evidence of physical damage
 ROHS 2 COMPLIANT

Tolerance (Except as noted)	 Memory Protection Devices, Inc 200 Broad Hollow Road, Farmingdale, New York 11735	Scale	Drawn By B.S.
			Approved By T.B.
decimal ±.5 (.020)	Title D CELL HOLDER WITH PC PINS		
Fractional ± .8 (.030)	Date 9/04/15	Drawing Number BHD-2	
Angular ± 3°			

X-ON Electronics

Largest Supplier of Electrical and Electronic Components

Click to view similar products for [mpd](#) manufacturer:

Other Similar products are found below :

[AS212-L](#) [BH24AAAL](#) [BC4AAAPC](#) [ZA5075](#) [BC4AAAL](#) [AP-130](#) [BK-5021](#) [ZA5070](#) [BC3AAPC](#) [BH9VL](#) [APP-004](#) [AP-133](#) [BH2/3AC](#)
[413717H](#) [BC22AAL](#) [SBH421AS](#) [BH48DW](#) [AP-124](#) [APP-001](#) [BC-2013](#) [BC3AAAPC](#) [AP-129](#) [ZA5074-B](#) [BS4T-HD](#) [ZA5350](#) [ZA5076](#)
[ABG-43](#) [SBH441AS](#) [ZA1060](#) [AP-131](#) [BH-20H-1T](#) [BE-2AAAA-PC](#) [AS212](#) [BH26AAL](#) [BC2AAAL](#) [BHX1-1225-PC](#) [BH2/3A-SM](#) [BS6T](#)
[BA2032](#) [BH26DL](#) [BH1/2AA-3](#) [ZA5036](#) [BH2DL](#) [BC12AAL](#) [BH24AAAW](#) [BK-5091](#) [BH24AASF](#) [BC3AAL](#) [BH9VW](#) [BK-5003](#)