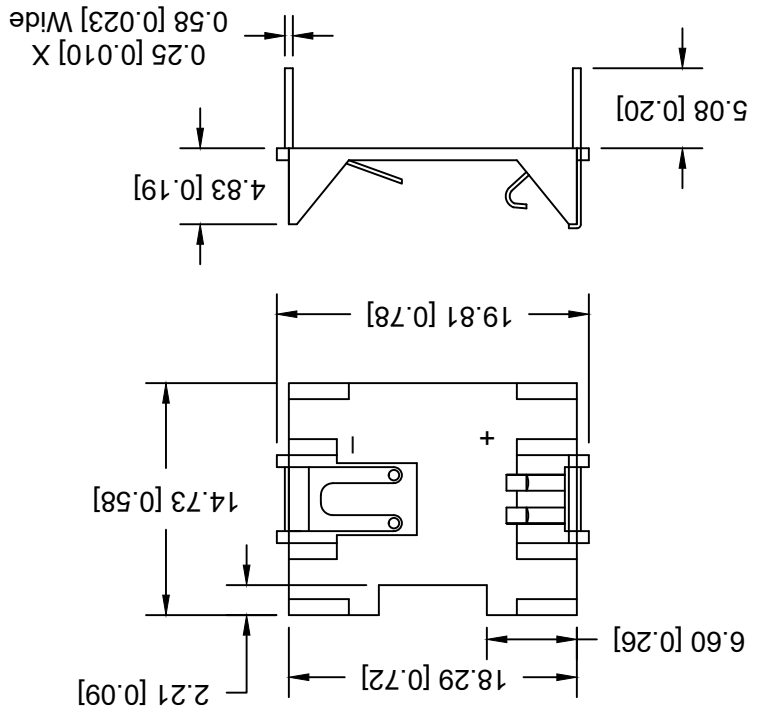


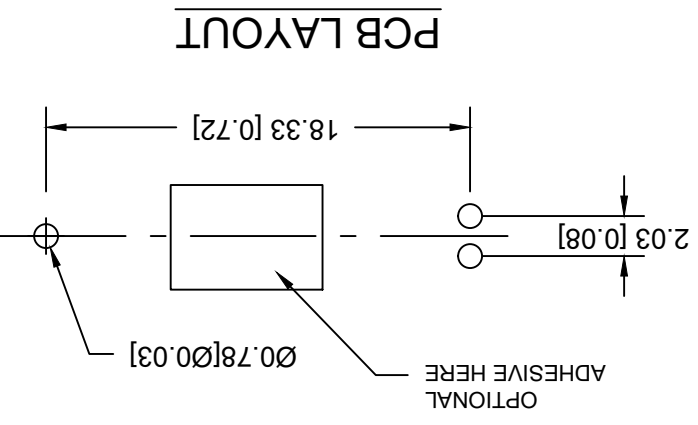
**SPECIFICATIONS:**

- \* Holder material- LCP Zenite, Color off white, UL File No. E344082
- \* Contacts : Phosphor Bronze C5191, Gold Flash, 1u - 3u thickness
- \* Temperature range: -40°C to +280°C
- \* Vibration Test: 10-50-10 Hz swept in 60 seconds
- X, Y, Z direction: 1 hour each direction
- \* Result: No dislodgement of the cell or damage
- No discontinuity over 10 micro-seconds
- \* Shock Test: Half sine wave acceleration 150G, 6 milliseconds
- 3 shock pulses each direction per axis, total of 18 pulses
- \* Result: No evidence of physical damage
- \* Drop Test: 1meter - No dislodgement of cell
- \* Approximate weight: 0.77g
- \* ROHS Compliant



PAT:9,192,059

Tolerance (Inches)	MPD Memory Protection Devices, Inc. 200 Broad Hollow Road, Farmingdale, New York 11735
Decimal	Scale
±.5 (.020)	Drawn By B.S.
±.8 (.030)	Approved By T.B.
Fractional	Title
± .8 (.030)	BASE, CR1225 THROUGH HOLE BATTERY
Angular ± 3°	Date 11/07/19
	Drawing Number BHSD-1225-PC



Date	SYM	REVISION RECORD	AUTH	DR.	CK.
12/11/15	C	Added Dim. 2.21, 6.60 0.25x0.58	T.B.	B.S.	
01/27/17	D	Updated UL File number	T.B.	B.S.	
11/07/19	E	Added weight of the part	T.B.	B.S.	

## **X-ON Electronics**

Largest Supplier of Electrical and Electronic Components

*Click to view similar products for [mpd](#) manufacturer:*

Other Similar products are found below :

[AS212-L](#) [BH24AAAL](#) [BC4AAAPC](#) [ZA5075](#) [BC4AAAL](#) [AP-130](#) [BK-5021](#) [ZA5070](#) [BC3AAPC](#) [BH9VL](#) [APP-004](#) [AP-133](#) [BH2/3AC](#)  
[413717H](#) [BC22AAL](#) [SBH421AS](#) [BH48DW](#) [AP-124](#) [APP-001](#) [BC-2013](#) [BC3AAAPC](#) [AP-129](#) [ZA5074-B](#) [BS4T-HD](#) [ZA5350](#) [ZA5076](#)  
[ABG-43](#) [SBH441AS](#) [ZA1060](#) [AP-131](#) [BH-20H-1T](#) [BE-2AAAA-PC](#) [AS212](#) [BH26AAL](#) [BC2AAAL](#) [BHX1-1225-PC](#) [BH2/3A-SM](#) [BS6T](#)  
[BA2032](#) [BH26DL](#) [BH1/2AA-3](#) [ZA5036](#) [BH2DL](#) [BC12AAL](#) [BH24AAAW](#) [BK-5091](#) [BH24AASF](#) [BC3AAL](#) [BH9VW](#) [BK-5003](#)