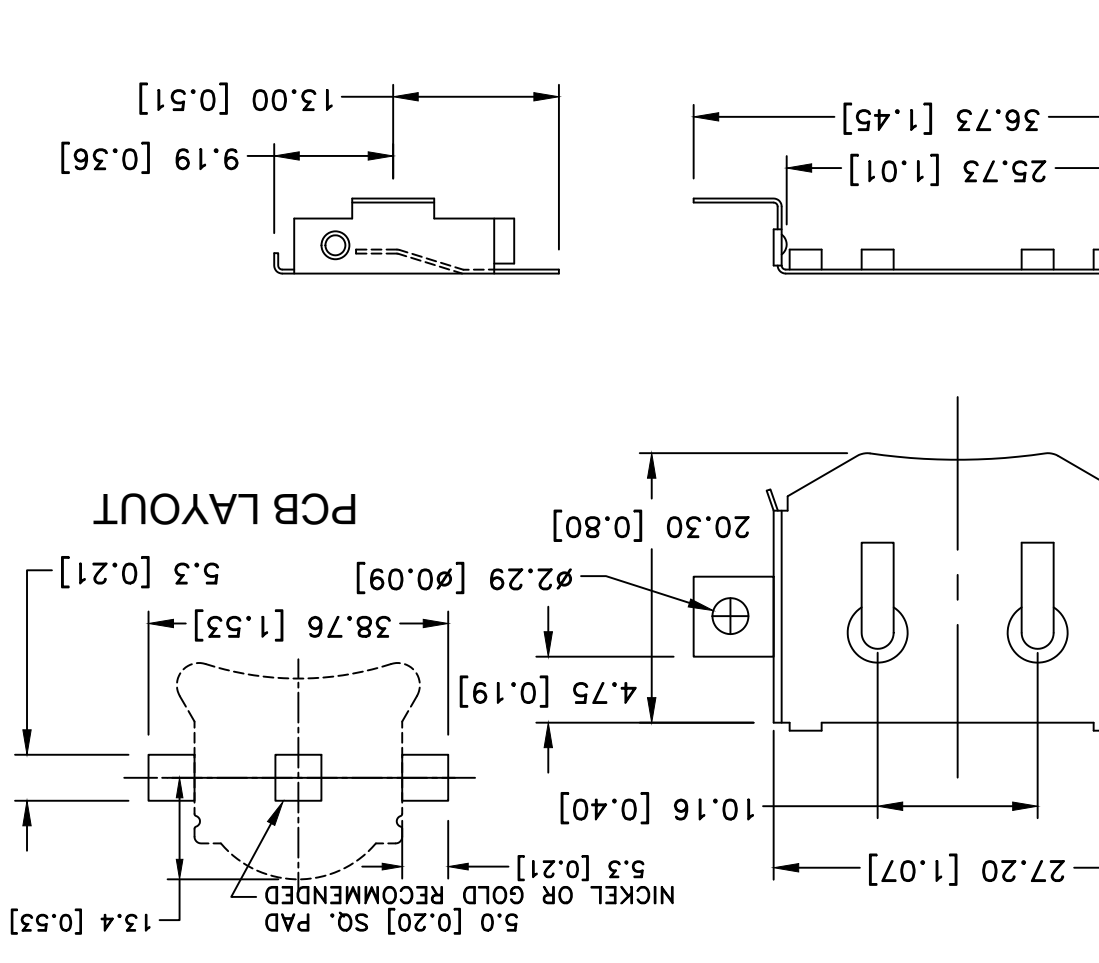


\* Holder material- Polypropylene, AV161 PP, Off White  
 \* UL Flammability Rating: UL 94-HB File No. E108370  
 \* Contacts : Phosphor Bronze C5191, Nickel Plated 80-150u thickness  
 \* Vibration test: 10-50-10 hz swepped in 60 seconds  
 x,y,z direction: 1 hour each direction  
 \* Result: no dislodgement of the cell or damage  
 no discontinuity over 10 milliseconds  
 \* Shock test: half sine wave acceleration 150g.  
 6 milliseconds 3 shock pulses each direction per axis,  
 total of 18 pulses  
 \* Result: no evidence of physical damage  
 \* Approximate weight: Retainer: 1.55g, Insulator: 0.50g  
 \* ROHS COMPLIANT



Angular ± 3°	Date 12/04/19	Drawing Number BHX1-2450-SM	
Fractional ± .8 (.030)	Title CR2450 SURFACE MOUNT BATTERY RETAINER WITH INSULATOR		
decimal ±.5 (.020)	Scale	Approved By T.B.	Drawn By B.S.
Tolerance (Except as noted)	MPD Memory Protection Devices, Inc 200 Broad Hollow Road, Farmingdale, New York 11735		

Date	SYM	REVISION RECORD	AUTH	DR. CK.
12/11/15	F	CHANGED MICRO SEC. TO MILLISECONDS	T.B.	B.S.
09/10/19	G	CHANGED INSULATOR VIEW ADDED DIM. 1.52 AND 4.44	T.B.	B.S.
12/04/19	H	ADDED WEIGHT OF THE PART	T.B.	B.S.

5.0 [0.20] SQ. PAD  
 NICKEL OR GOLD RECOMMENDED  
 5.3 [0.21]  
 13.4 [0.53]

NEGATIVE MARKING  
 ON OPPOSITE SIDE

## **X-ON Electronics**

Largest Supplier of Electrical and Electronic Components

*Click to view similar products for [mpd](#) manufacturer:*

Other Similar products are found below :

[AS212-L](#) [BH24AAAL](#) [BC4AAAPC](#) [ZA5075](#) [BC4AAAL](#) [AP-130](#) [BK-5021](#) [ZA5070](#) [BC3AAPC](#) [BH9VL](#) [APP-004](#) [AP-133](#) [BH2/3AC](#)  
[413717H](#) [BC22AAL](#) [SBH421AS](#) [BH48DW](#) [AP-124](#) [APP-001](#) [BC-2013](#) [BC3AAAPC](#) [AP-129](#) [ZA5074-B](#) [BS4T-HD](#) [ZA5350](#) [ZA5076](#)  
[ABG-43](#) [SBH441AS](#) [ZA1060](#) [AP-131](#) [BH-20H-1T](#) [BE-2AAAA-PC](#) [AS212](#) [BH26AAL](#) [BC2AAAL](#) [BHX1-1225-PC](#) [BH2/3A-SM](#) [BS6T](#)  
[BA2032](#) [BH26DL](#) [BH1/2AA-3](#) [ZA5036](#) [BH2DL](#) [BC12AAL](#) [BH24AAAW](#) [BK-5091](#) [BH24AASF](#) [BC3AAL](#) [BH9VW](#) [BK-5003](#)