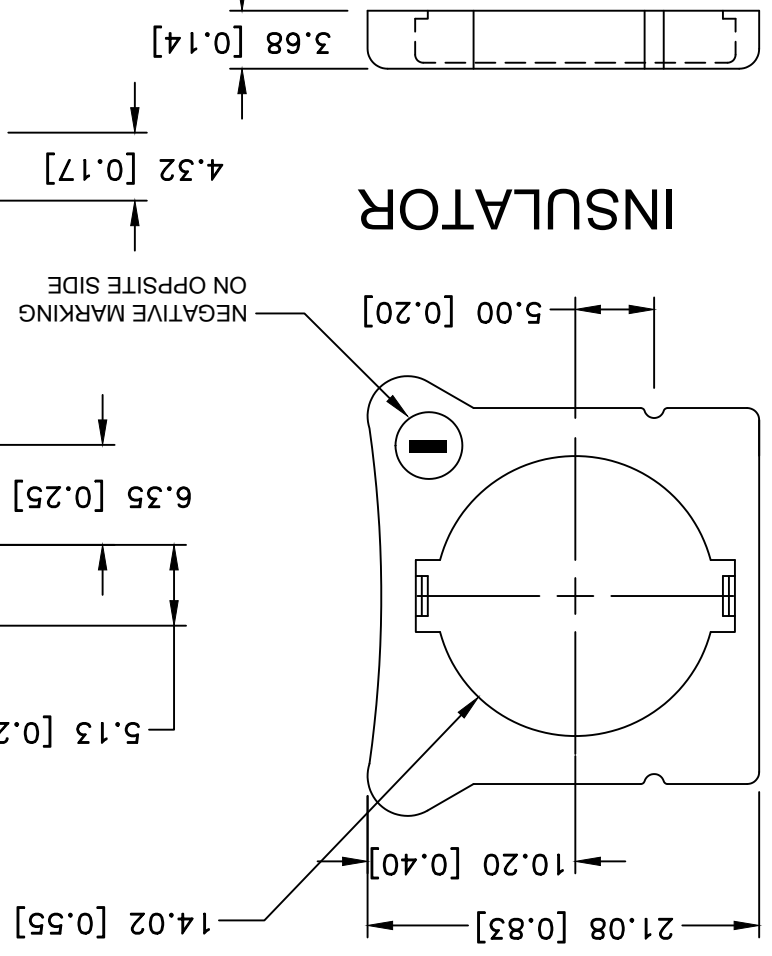
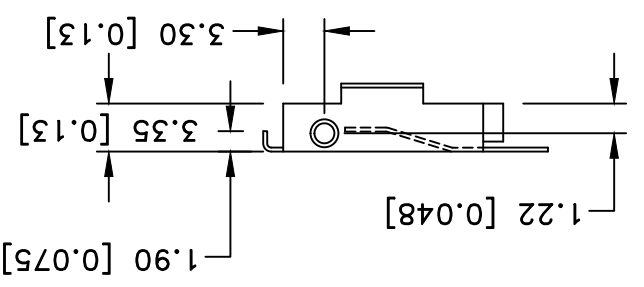


* Holder material- Polypropylene, AV161 PP, Off White
 * UL Flammability Rating: UL 94-HB File No. E108370
 * Contacts : Phosphor Bronze C5191, Nickel Plated 80-150u thickness
 * Vibration test: 10-50-10 hz swept in 60 seconds
 x,y,z direction: 1 hour each direction
 * Result: no dislodgement of the cell or damage
 no discontinuity over 10 micro-seconds
 * Shock test: half sine wave acceleration 150g.
 6 micro-seconds 3 shock pulses each direction per axis,
 total of 18 pulses
 * Result: no evidence of physical damage
 * Approximate weight: 1.05g
 * ROHS COMPLIANT

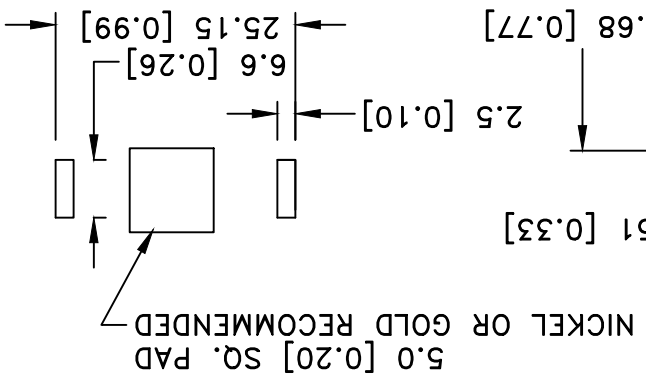
SPECIFICATIONS:



INSULATOR



PCB LAYOUT



Tolerance (Except as noted)	Angular ± 3°
decimal ±.5 (.020)	Fractional ± .8 (.030)

Memory Protection Devices, Inc
 200 Broad Hollow Road, Farmingdale, New York 11735
 MPD

Scale	Drawn By B.S.	Approved By T.B.
-------	---------------	------------------

Title F3 SURFACE MOUNT BATTERY RETAINER WITH INSULATOR

Date 12/12/19	Drawing Number BHX1-F3-SM
------------------	------------------------------

Date	SYM	REVISION RECORD	AUTH DR. CK.
12/12/19	A	Added weight of the part	T.B. B.S.

X-ON Electronics

Largest Supplier of Electrical and Electronic Components

Click to view similar products for [mpd](#) manufacturer:

Other Similar products are found below :

[AS212-L](#) [BH24AAAL](#) [BC4AAAPC](#) [ZA5075](#) [BC4AAAL](#) [AP-130](#) [BK-5021](#) [ZA5070](#) [BC3AAPC](#) [BH9VL](#) [APP-004](#) [AP-133](#) [BH2/3AC](#)
[413717H](#) [BC22AAL](#) [SBH421AS](#) [BH48DW](#) [AP-124](#) [APP-001](#) [BC-2013](#) [BC3AAAPC](#) [AP-129](#) [ZA5074-B](#) [BS4T-HD](#) [ZA5350](#) [ZA5076](#)
[ABG-43](#) [SBH441AS](#) [ZA1060](#) [AP-131](#) [BH-20H-1T](#) [BE-2AAAA-PC](#) [AS212](#) [BH26AAL](#) [BC2AAAL](#) [BHX1-1225-PC](#) [BH2/3A-SM](#) [BS6T](#)
[BA2032](#) [BH26DL](#) [BH1/2AA-3](#) [ZA5036](#) [BH2DL](#) [BC12AAL](#) [BH24AAAW](#) [BK-5091](#) [BH24AASF](#) [BC3AAL](#) [BH9VW](#) [BK-5003](#)