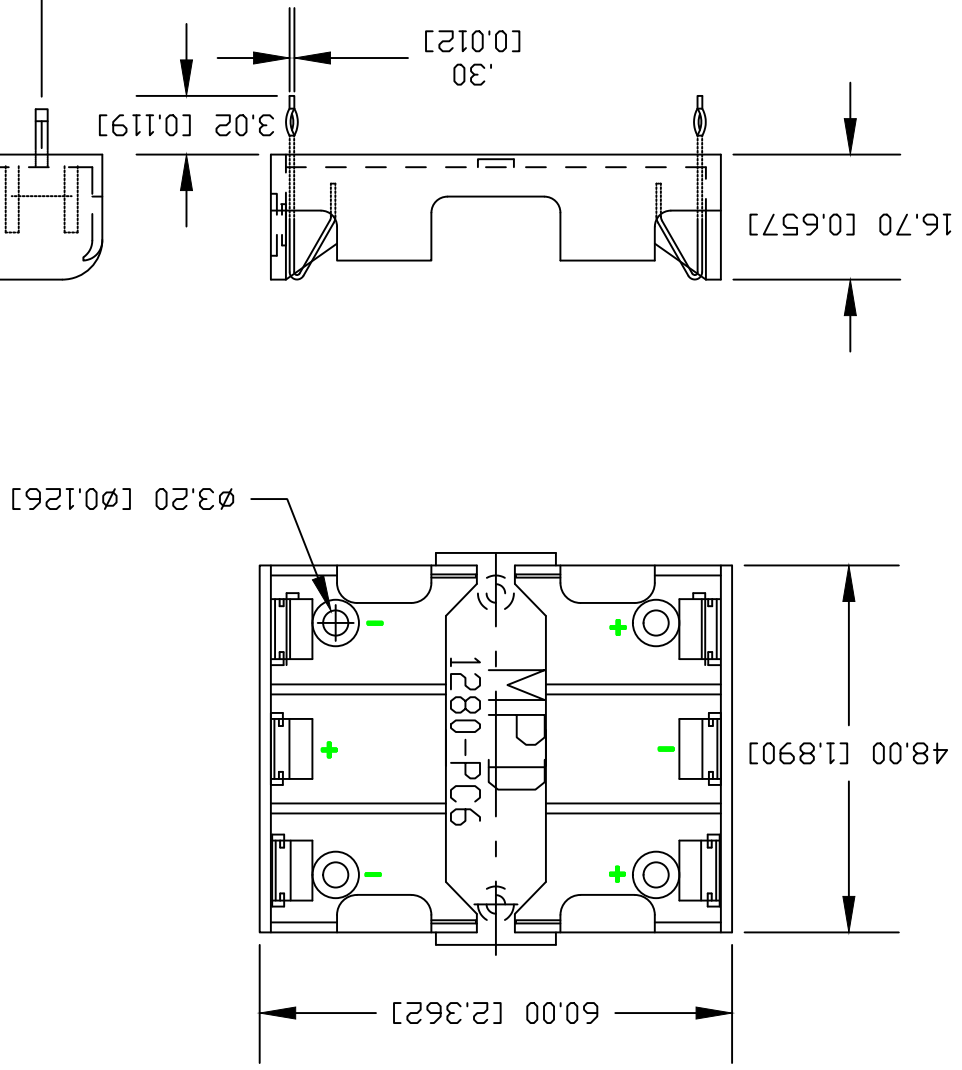
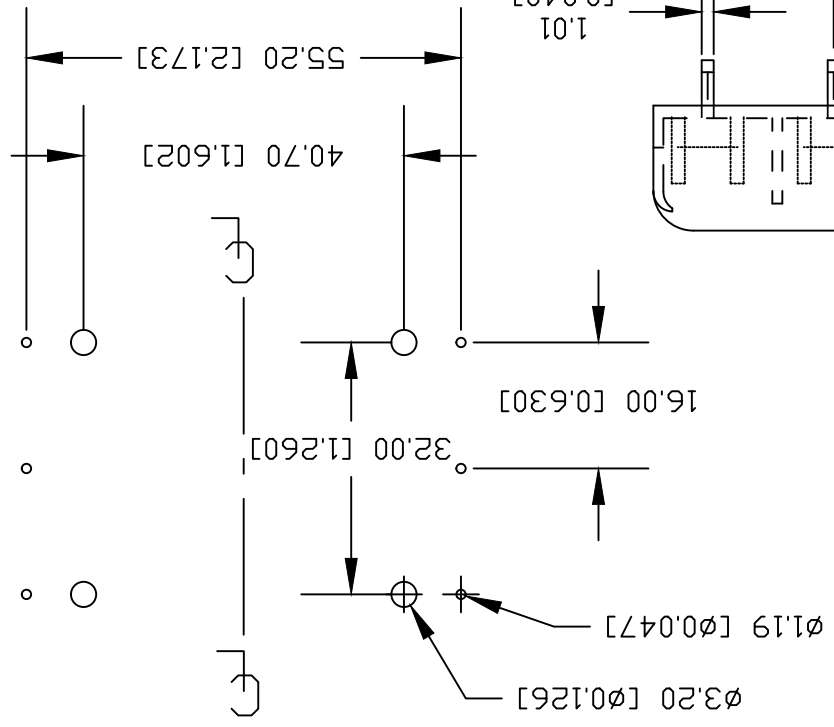


ROHS COMPLIANT
 Result: No evidence of physical damage.
 3 shock pulses each direction per axis, total of 18 pulses
 Shock Test: Half sine wave acceleration 150G, 6 milliseconds
 No discontinuity over 10 micro-seconds
 Result: No dislodgement of the cell or damage
 X, Y, Z direction: 1 hour each direction
 Vibration Test: 10-50-10 Hz swept in 60 seconds
 Heat Deflection Temperature: 90°C
 Cover: Polypropylene, UL94V-0
 Contacts: 302 Stainless Steel Spring Temper, Nickel Plated
 Material: Polypropylene, UL94V-0, UL file No. E255317

NOTES:



PCB LAYOUT



Tolerance (Inches)		MPD Memory Protection Devices, Inc 200 Broad Hollow Road, Farmingdale, New York 11735
Decimal	±.5 (.020)	
Fractional	±.8 (.030)	Title
Angular		Date
± 3°		04/12/19
Drawing Number		BK-1280-PC6

Approved By	T.B.
Drawn By	B.S.
Scale	

Date	SYM	REVISION RECORD	AUTH	DR. CK.
5/26/07	A	ADDED TEST RESULTS	T.B.	B.S.
10/17/14	B	UPDATED TO ROHS 2 COMPLIANT	T.B.	B.S.
07/14/16	C	ADDED CONTACT DIM. 1.01 AND 0.30	T.B.	B.S.
04/12/19	D	MILLISECONDS WAS MICRO SECONDS	T.B.	B.S.

X-ON Electronics

Largest Supplier of Electrical and Electronic Components

Click to view similar products for [mpd](#) manufacturer:

Other Similar products are found below :

[AS212-L](#) [BH24AAAL](#) [BC4AAAPC](#) [ZA5075](#) [BC4AAAL](#) [AP-130](#) [BK-5021](#) [ZA5070](#) [BC3AAPC](#) [BH9VL](#) [APP-004](#) [AP-133](#) [BH2/3AC](#)
[413717H](#) [BC22AAL](#) [SBH421AS](#) [BH48DW](#) [AP-124](#) [APP-001](#) [BC-2013](#) [BC3AAAPC](#) [AP-129](#) [ZA5074-B](#) [BS4T-HD](#) [ZA5350](#) [ZA5076](#)
[ABG-43](#) [SBH441AS](#) [ZA1060](#) [AP-131](#) [BH-20H-1T](#) [BE-2AAAA-PC](#) [AS212](#) [BH26AAL](#) [BC2AAAL](#) [BHX1-1225-PC](#) [BH2/3A-SM](#) [BS6T](#)
[BA2032](#) [BH26DL](#) [BH1/2AA-3](#) [ZA5036](#) [BH2DL](#) [BC12AAL](#) [BH24AAAW](#) [BK-5091](#) [BH24AASF](#) [BC3AAL](#) [BH9VW](#) [BK-5003](#)