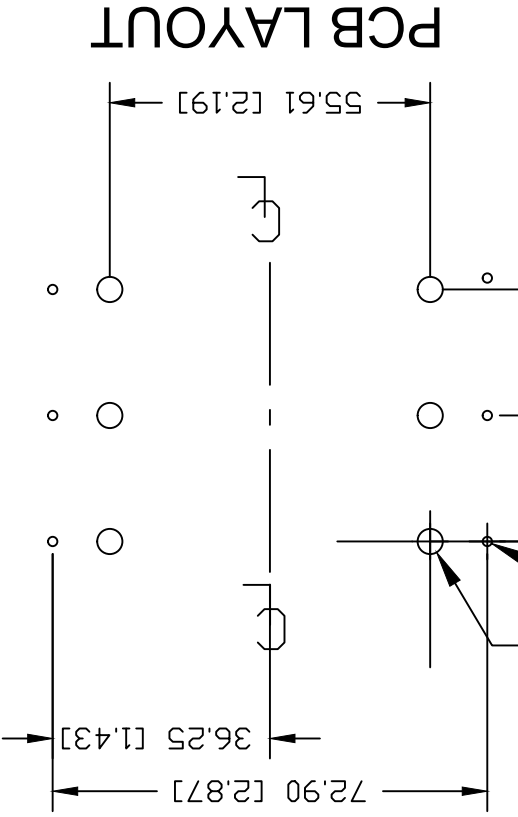
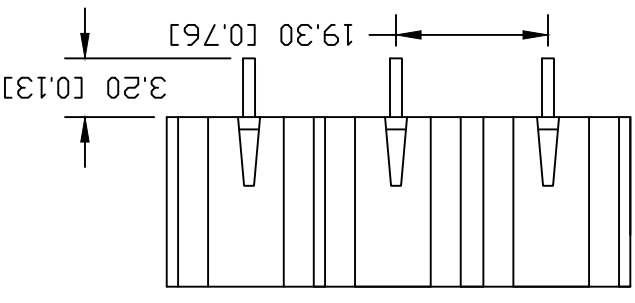
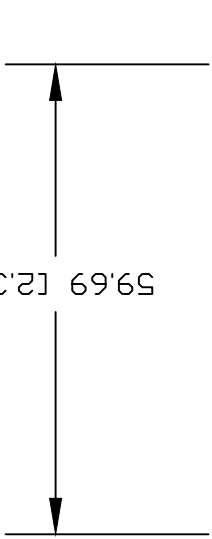
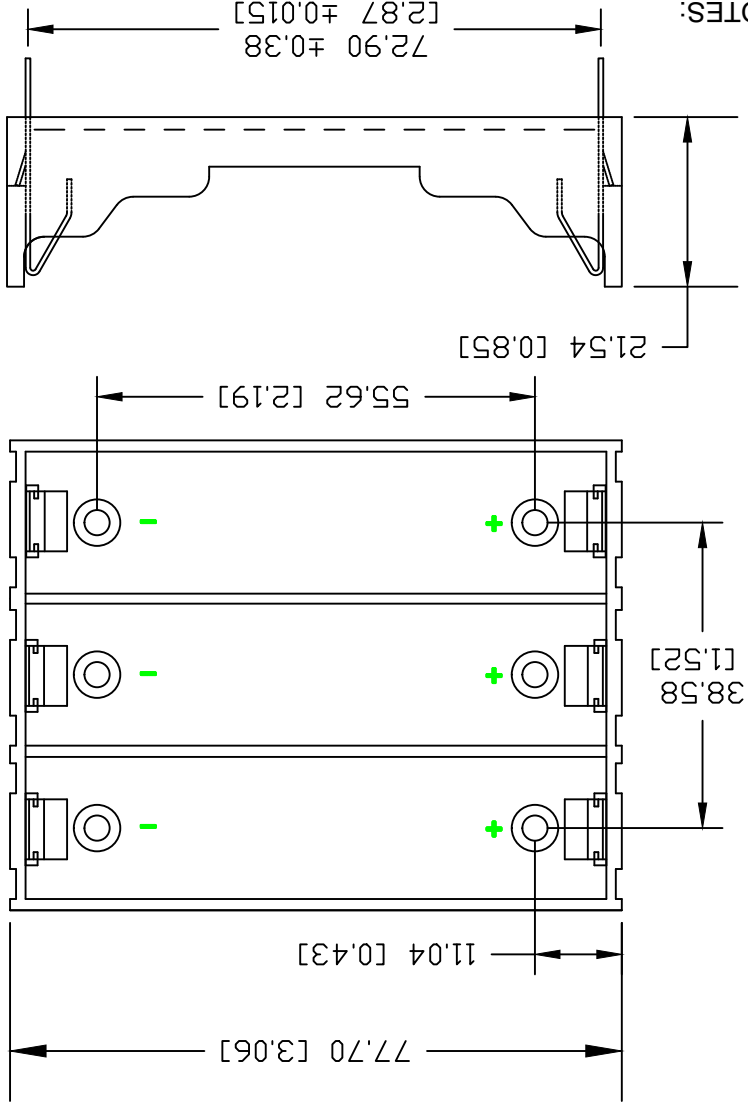


This battery holder is designed for use with protected 18650 batteries (PCB)

Date	SYM	REVISION RECORD	AUTH	DR.	CK.
03/24/17	J	DIM. 36.25 WAS 36.32	T.B.	B.S.	
06/30/17	K	DIM. 72.90 WAS 72.50	T.B.	B.S.	
07/22/17	L	ADDED MOUNTING INSTRUCTION	T.B.	B.S.	
04/05/19	M	DIM. 72.90 WAS 72.50	T.B.	B.S.	
05/17/19	N	UPDATED NOTES	T.B.	B.S.	



NOTES:

Material: Self-extinguishing Thermoplastic Polyester, color black
 Temperature Range: -40°C to +180°C
 Contacts: 302 Stainless Steel Spring Temper, Nickel Plated
 Flammability Rating: UL 94V-0
 PC Pins: Steel, Nickel Plated
 Dielectric Strength: 560 Volts/Mil. at 25°C for 5 Sec.
 Resistance to Solvents: Xylene, ethyl, butyl, methyl & toluene
 Weight: 29.07g.
 ROHS COMPLIANT
 Mounting Instruction:
 Use 2-56 machine screws or eyelets 0.089" OD
 by 0.15" flange stimpson GS-3 series or equivalent.
 also adhesives and double sided tapes work well.

Tolerance (Inches)	MPD Memory Protection Devices, Inc 200 Broad Hollow Road, Farmingdale, New York 11735	Scale	Drawn By B.S. Approved By T.B.	Decimal ±.5 (.020)	Fractional ±.8 (.030)	Title THREE 18650 LI-ION CELL HOLDER	Angular ± 3°	Date 05/17/19	Drawing Number BK-18650-PC6

X-ON Electronics

Largest Supplier of Electrical and Electronic Components

Click to view similar products for [mpd](#) manufacturer:

Other Similar products are found below :

[AS212-L](#) [BH24AAAL](#) [BC4AAAPC](#) [ZA5075](#) [BC4AAAL](#) [AP-130](#) [BK-5021](#) [ZA5070](#) [BC3AAPC](#) [BH9VL](#) [APP-004](#) [AP-133](#) [BH2/3AC](#)
[413717H](#) [BC22AAL](#) [SBH421AS](#) [BH48DW](#) [AP-124](#) [APP-001](#) [BC-2013](#) [BC3AAAPC](#) [AP-129](#) [ZA5074-B](#) [BS4T-HD](#) [ZA5350](#) [ZA5076](#)
[ABG-43](#) [SBH441AS](#) [ZA1060](#) [AP-131](#) [BH-20H-1T](#) [BE-2AAAA-PC](#) [AS212](#) [BH26AAL](#) [BC2AAAL](#) [BHX1-1225-PC](#) [BH2/3A-SM](#) [BS6T](#)
[BA2032](#) [BH26DL](#) [BH1/2AA-3](#) [ZA5036](#) [BH2DL](#) [BC12AAL](#) [BH24AAAW](#) [BK-5091](#) [BH24AASF](#) [BC3AAL](#) [BH9VW](#) [BK-5003](#)