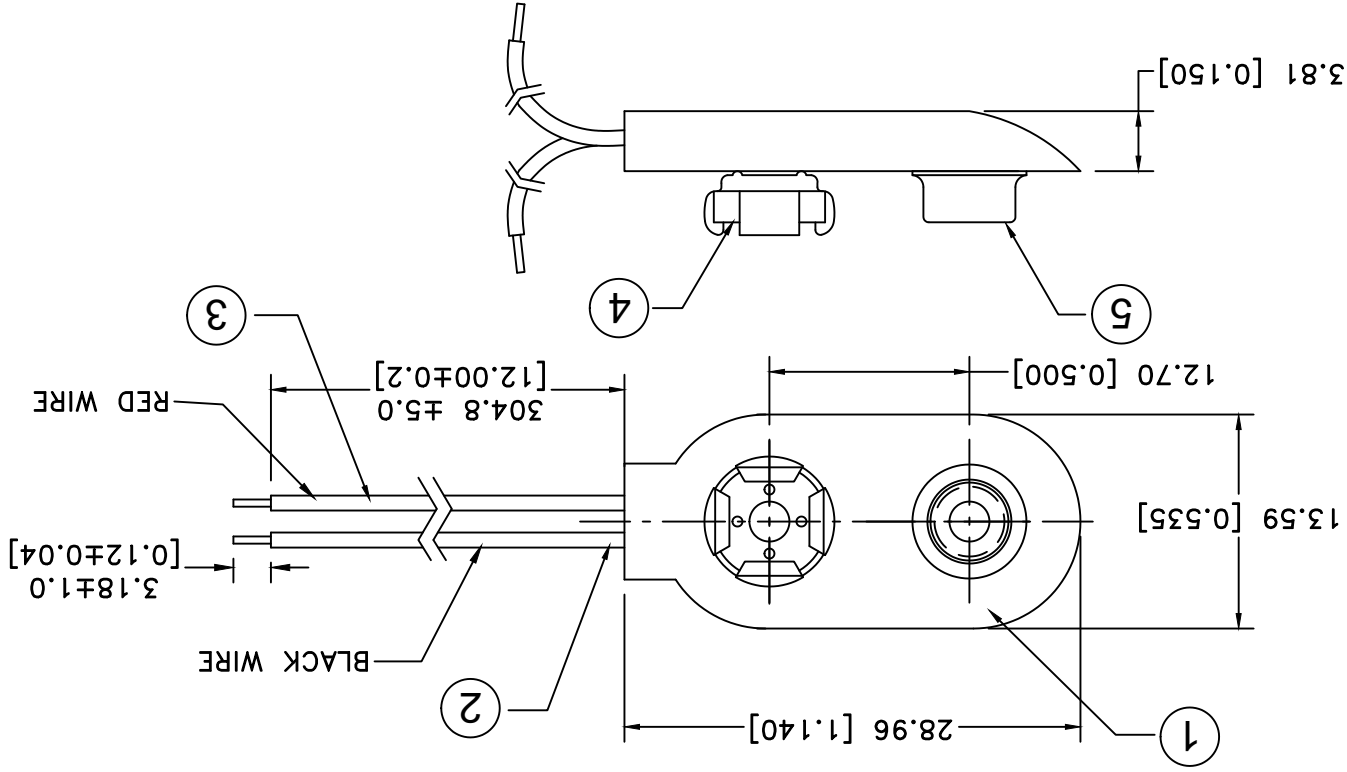


Date	SYM	REVISION RECORD	AUTH	DR. CK.
10/22/05	A	ADDED "ROHS COMPLIANT"	T.B.	B.S.
5/02/08	B	ADDED NOTE.	T.B.	B.S.
7/11/14	C	UPDATED TO ROHS 2 COMPLIANT	T.B.	B.S.
10/07/19	D	UPDATED WIRE MATERIAL	T.B.	B.S.



NOTE:  
 ORIENTATION OF SNAPS AND WIRES VARIES  
 AND IS SHOWN FOR REFERENCE ONLY.  
 RED WIRE TO POSITIVE CONTACT.  
 BLACK WIRE TO NEGATIVE CONTACT.  
 ROHS COMPLIANT

NO.	PART NAME	MATERIAL	QTY.	Tolerance (Except as noted)	decimal		Fractional		Angular ± 3°	Date	Drawing Number	BS121-HD
					± .5 (.020)	± .8 (.030)						
1	COVER	PVC COVER OVER FIBERBOARD	1									
2	BLACK WIRE(-)	24 AWG - 26 AWG, UL-1007, CSA TR-64, 300V, 80°C	1									
3	RED WIRE (+)	24 AWG - 26 AWG, UL-1007, CSA TR-64, 300V, 80°C	1									
4	FEMALE SNAP	PHOSPHOR BRONZE, NICKLE PLATED, HEAVY DUTY	1									
5	MALE SNAP	BRASS NICKLE PLATED	1									
					Title		9 VOLT BATTERY SNAP-1 STYLE, HEAVY DUTY, 12" WIRE LEADS					
					Scale		Drawn By B.S.		Approved By T.B.			
					Memory Protection Devices, Inc		200 Broad Hollow Road, Farmingdale, New York 11735					

## **X-ON Electronics**

Largest Supplier of Electrical and Electronic Components

*Click to view similar products for [mpd](#) manufacturer:*

Other Similar products are found below :

[AS212-L](#) [BH24AAAL](#) [BC4AAAPC](#) [ZA5075](#) [BC4AAAL](#) [AP-130](#) [BK-5021](#) [ZA5070](#) [BC3AAPC](#) [BH9VL](#) [APP-004](#) [AP-133](#) [BH2/3AC](#)  
[413717H](#) [BC22AAL](#) [SBH421AS](#) [BH48DW](#) [AP-124](#) [APP-001](#) [BC-2013](#) [BC3AAAPC](#) [AP-129](#) [ZA5074-B](#) [BS4T-HD](#) [ZA5350](#) [ZA5076](#)  
[ABG-43](#) [SBH441AS](#) [ZA1060](#) [AP-131](#) [BH-20H-1T](#) [BE-2AAAA-PC](#) [AS212](#) [BH26AAL](#) [BC2AAAL](#) [BHX1-1225-PC](#) [BH2/3A-SM](#) [BS6T](#)  
[BA2032](#) [BH26DL](#) [BH1/2AA-3](#) [ZA5036](#) [BH2DL](#) [BC12AAL](#) [BH24AAAW](#) [BK-5091](#) [BH24AASF](#) [BC3AAL](#) [BH9VW](#) [BK-5003](#)