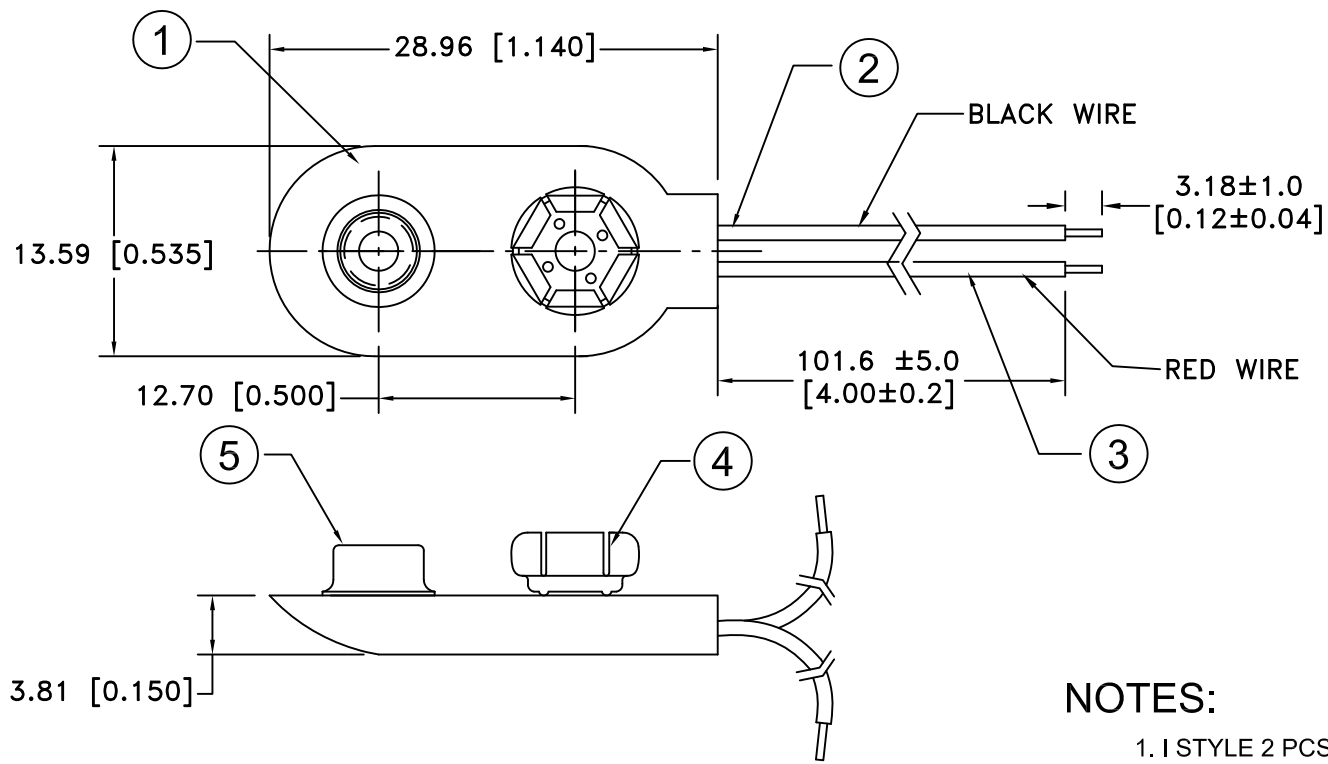


Date	SYM	REVISION RECORD	AUTH	DR.	CK.
2/25/06	A	ADDED "ROHS COMPLIANT"	T.B.	B.S.	
7/11/14	B	UPDATED TO ROHS 2 COMPLIANT	T.B.	B.S.	



NOTES:

1. I STYLE 2 PCS. MOLDED CASE CONSTRUCTION WITH CRIMP CONNECTIONS. CRIMP ON WIRE INSULATION AND ON WIRE PROVIDES STRAIN RELIEF THAT STANDARD SOLDERED SNAPS DO NOT HAVE.
ROHS 2 COMPLIANT

N0.	PART NAME	MATERIAL	QTY.	Tolerance (Except as noted)	MPD Memory Protection Devices, Inc 200 Broad Hollow Road, Farmingdale, New York 11735		
1	COVER	PVC COVER OVER FIBERBOARD	1	decimal ±.5 (.020)	Scale	Drawn By B.S.	
2	BLACK WIRE(-)	24 AWG OR 26 AWG, UL-1007, CSA TR-64, 300V, 80°C	1			Approved By T.B.	
3	RED WIRE (+)	24 AWG OR 26 AWG, UL-1007, CSA TR-64, 300V, 80°C	1	Fractional ± .8 (.030)	Title 9 VOLT BATTERY SNAP-I STYLE-4" WIRE LEADS		
4	FEMALE SNAP	BRASS, NICKLE PLATED	1		Date 7/11/14	Drawing Number BS4I	
5	MALE SNAP	BRASS NICKLE PLATED	1		Angular ± 3°		

X-ON Electronics

Largest Supplier of Electrical and Electronic Components

Click to view similar products for [mpd](#) manufacturer:

Other Similar products are found below :

[AS212-L](#) [BH24AAAL](#) [BC4AAAPC](#) [ZA5075](#) [BC4AAAL](#) [AP-130](#) [BK-5021](#) [ZA5070](#) [BC3AAPC](#) [BH9VL](#) [APP-004](#) [AP-133](#) [BH2/3AC](#)
[413717H](#) [BC22AAL](#) [SBH421AS](#) [BH48DW](#) [AP-124](#) [APP-001](#) [BC-2013](#) [BC3AAAPC](#) [AP-129](#) [ZA5074-B](#) [BS4T-HD](#) [ZA5350](#) [ZA5076](#)
[ABG-43](#) [SBH441AS](#) [ZA1060](#) [AP-131](#) [BH-20H-1T](#) [BE-2AAAA-PC](#) [AS212](#) [BH26AAL](#) [BC2AAAL](#) [BHX1-1225-PC](#) [BH2/3A-SM](#) [BS6T](#)
[BA2032](#) [BH26DL](#) [BH1/2AA-3](#) [ZA5036](#) [BH2DL](#) [BC12AAL](#) [BH24AAAW](#) [BK-5091](#) [BH24AASF](#) [BC3AAL](#) [BH9VW](#) [BK-5003](#)