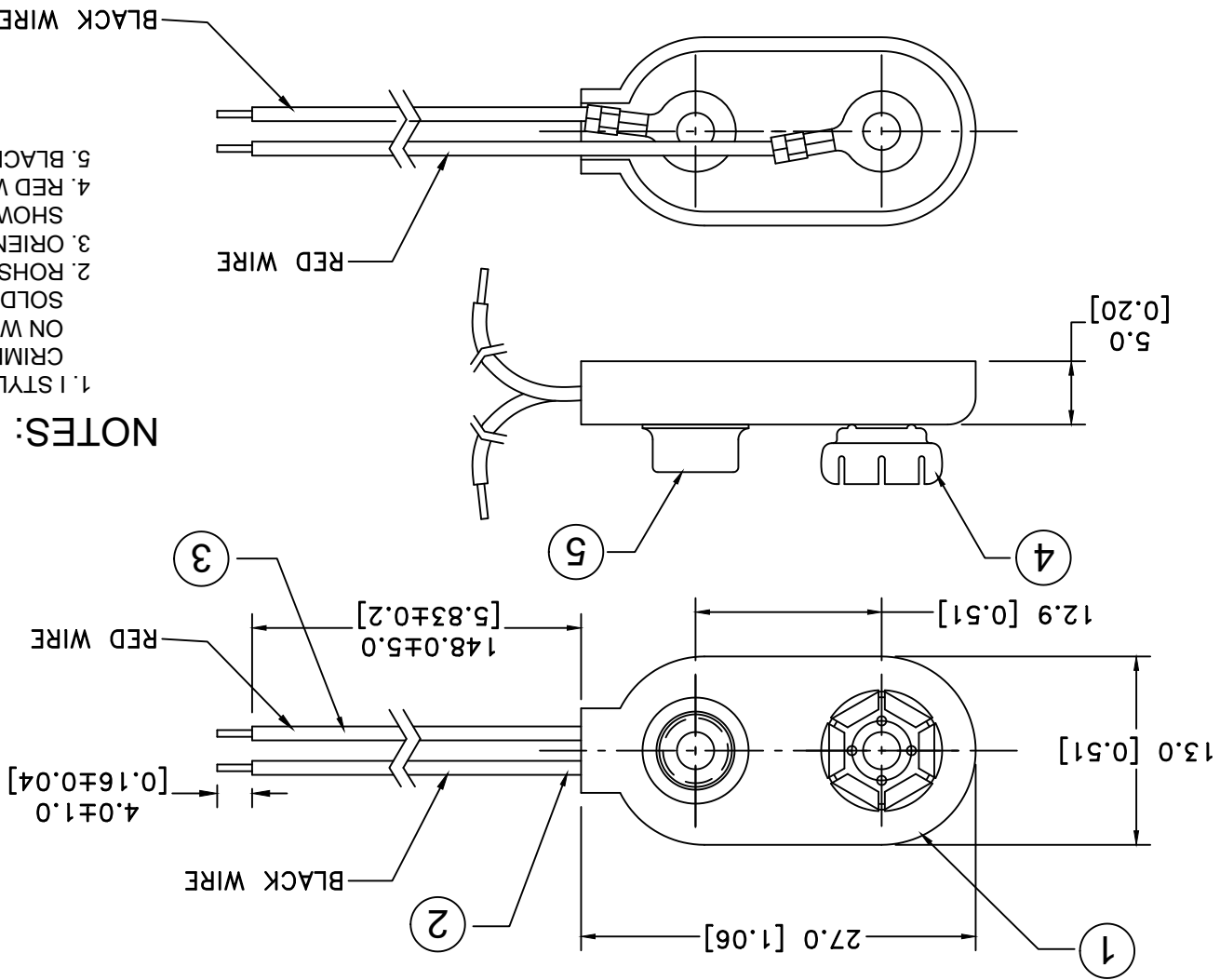


NO.	PART NAME	MATERIAL		QTY.	Tolerance (Except as noted)
		1	MOLDED CASE		
2	BLACK WIRE(-)	24 AWG, UL-1007, CSA TR-64, 300V, 80°C	1	1	decimal
3	RED WIRE (+)	24 AWG, UL-1007, CSA TR-64, 300V, 80°C	1	1	Fractional
4	FEMALE SNAP	BRASS NICKLE PLATED	1	1	Angular ± 3°
5	MALE SNAP	BRASS NICKLE PLATED	1	1	Date 6/07/19
		Title		Drawing Number	
		9 VOLT BATTERY SNAP-1 STYLE-6" WIRE LEADS, MOLDED CASE		BS61-MC	
		Scale		Approved By T.B.	
				Drawn By B.S.	
		Memory Protection Devices, Inc		200 Broad Hollow Road, Farmingdale, New York 11735	



- NOTES:
1. I STYLE 2 PCS. MOLDED CASE CONSTRUCTION WITH CRIMP CONNECTIONS. CRIMP ON WIRE INSULATION AND ON WIRE PROVIDES STRAIN RELIEF THAT STANDARD SOLDERED SNAPS DO NOT HAVE.
 2. ROHS COMPLIANT
 3. ORIENTATION OF SNAPS AND WIRES VARIES AND IS SHOWN FOR REFERENCE ONLY.
 4. RED WIRE TO POSITIVE CONTACT.
 5. BLACK WIRE TO NEGATIVE CONTACT.

Date	6/07/19	D	UPDATED ALL DIMENSIONS	T.B.	B.S.
SYM					
REVISION RECORD					
AUTH					
DR. CK.					

X-ON Electronics

Largest Supplier of Electrical and Electronic Components

Click to view similar products for [mpd](#) manufacturer:

Other Similar products are found below :

[AS212-L](#) [BH24AAAL](#) [BC4AAAPC](#) [ZA5075](#) [BC4AAAL](#) [AP-130](#) [BK-5021](#) [ZA5070](#) [BC3AAPC](#) [BH9VL](#) [APP-004](#) [AP-133](#) [BH2/3AC](#)
[413717H](#) [BC22AAL](#) [SBH421AS](#) [BH48DW](#) [AP-124](#) [APP-001](#) [BC-2013](#) [BC3AAAPC](#) [AP-129](#) [ZA5074-B](#) [BS4T-HD](#) [ZA5350](#) [ZA5076](#)
[ABG-43](#) [SBH441AS](#) [ZA1060](#) [AP-131](#) [BH-20H-1T](#) [BE-2AAAA-PC](#) [AS212](#) [BH26AAL](#) [BC2AAAL](#) [BHX1-1225-PC](#) [BH2/3A-SM](#) [BS6T](#)
[BA2032](#) [BH26DL](#) [BH1/2AA-3](#) [ZA5036](#) [BH2DL](#) [BC12AAL](#) [BH24AAAW](#) [BK-5091](#) [BH24AASF](#) [BC3AAL](#) [BH9VW](#) [BK-5003](#)