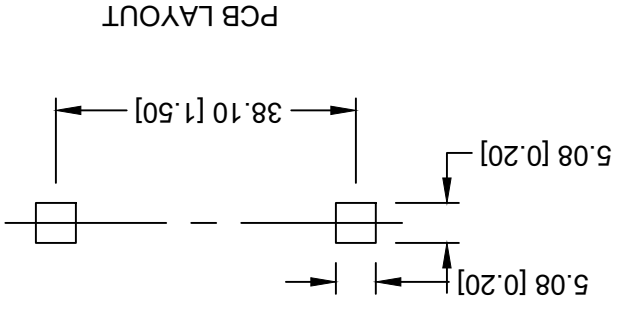
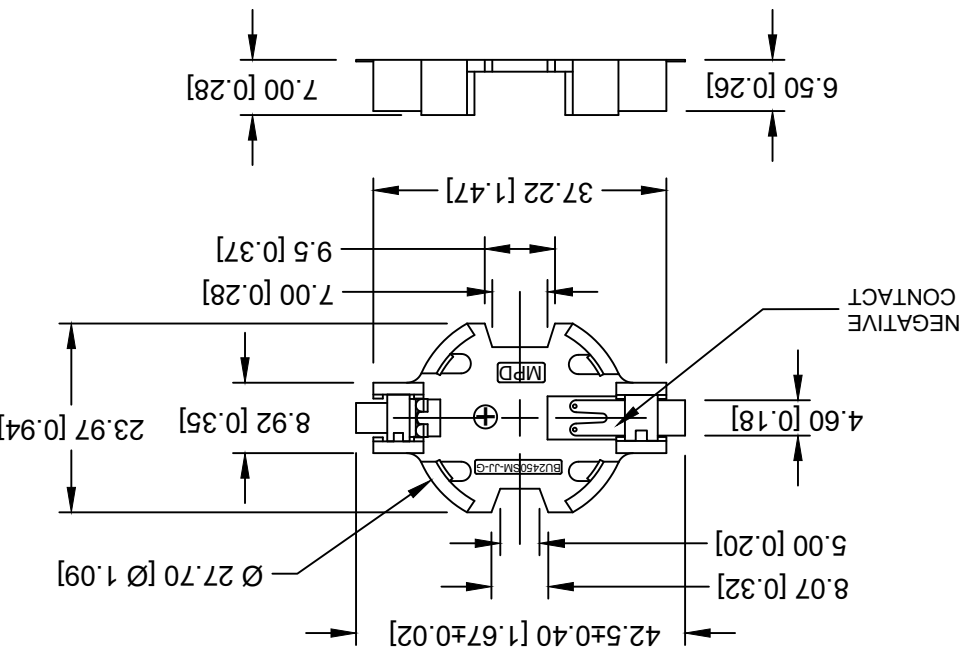


SPECIFICATIONS:

- * Holder material- Zenite 6130, 30% glass reinforced Liquid Crystal Polymer resin, UL File No. E344082
- * Color: Off White
- * Contacts : 0.020" thick PHOS-BRONZE, GOLD FLASH
- * Temperature range: -40°C to +280°C
- * Vibration Test: 10-50-10 Hz swept in 60 seconds X, Y, Z direction: 1 hour each direction
- * Result: No dislodgement of the cell or damage
- * Shock Test: Half sine wave acceleration 150G, 6 micro-seconds 3 shock pulses each direction per axis, total of 18 pulses
- * Result: No evidence of physical damage
- * Drop Test: 1 meter
- * Result: No dislodgement of the cell or damage
- * Approximate weight: 2.37g
- * ROHS COMPLIANT



Date	SYM	REVISION RECORD	AUTH	DR. CK.
10/05/18	H	Added weight of the part	T.B.	B.S.
12/12/19	J	Updated to ROHS Compliant	T.B.	B.S.

Tolerance (Except as noted)		Memory Protection Devices, Inc 200 Broad Hollow Road, Farmingdale, New York 11735	
decimal	±.5 (.020)	Scale	Drawn By B.S. Approved By T.B.
Fractional	±.8 (.030)	Title SURFACE MOUNT CR2450 BATTERY HOLDER	
Angular	± 3°	Date	12/12/19
		Drawing Number BU2450SM-JJ-G	

X-ON Electronics

Largest Supplier of Electrical and Electronic Components

Click to view similar products for [mpd](#) manufacturer:

Other Similar products are found below :

[AS212-L](#) [BH24AAAL](#) [BC4AAAPC](#) [ZA5075](#) [BC4AAAL](#) [AP-130](#) [BK-5021](#) [ZA5070](#) [BC3AAPC](#) [BH9VL](#) [APP-004](#) [AP-133](#) [BH2/3AC](#)
[413717H](#) [BC22AAL](#) [SBH421AS](#) [BH48DW](#) [AP-124](#) [APP-001](#) [BC-2013](#) [BC3AAAPC](#) [AP-129](#) [ZA5074-B](#) [BS4T-HD](#) [ZA5350](#) [ZA5076](#)
[ABG-43](#) [SBH441AS](#) [ZA1060](#) [AP-131](#) [BH-20H-1T](#) [BE-2AAAA-PC](#) [AS212](#) [BH26AAL](#) [BC2AAAL](#) [BHX1-1225-PC](#) [BH2/3A-SM](#) [BS6T](#)
[BA2032](#) [BH26DL](#) [BH1/2AA-3](#) [ZA5036](#) [BH2DL](#) [BC12AAL](#) [BH24AAAW](#) [BK-5091](#) [BH24AASF](#) [BC3AAL](#) [BH9VW](#) [BK-5003](#)