

MSKSEMI 美森科

SEMICONDUCTOR



ESD



TVS



TSS



MOV



GDT



PLED

CA3140AMZ96-MS/CA3140EZ-MS

Product specification

产品概述


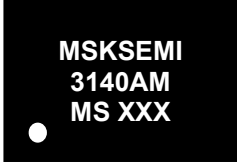


CA3140 系列电路为 BiMOS 型高输入阻抗运算放大器，其在单个芯片内集成了 PMOS 晶体管和双极晶体管，综合了高电压 PMOS 晶体管和高电压双极晶体管的优点。高输入阻抗的 PMOS 晶体管差分对结构提供了极高的输入阻抗、极低的输入电流及高速特性。由于 PMOS 晶体管的采用，CA3140 提供了很宽的共模输入电压范围。CA3140 的另一个非常重要的特性是其可应用于单电源应用场合。管脚连接与 741 系列产品兼容，在大部分工业场合可与 741 直接插拔替代。

该系列产品大量使用于军用、民用、商用和工业应用领域，如加速度表信号处理、积分器、医用监护仪、可见光光度计、单电源放大器、采样和保持放大器、光电流仪表、有源滤波器、接口电路、手持仪器、报警器、峰值探测器、比较器、积分器、多频振荡器、函数发生器及其它所有标准放大器应用领域。

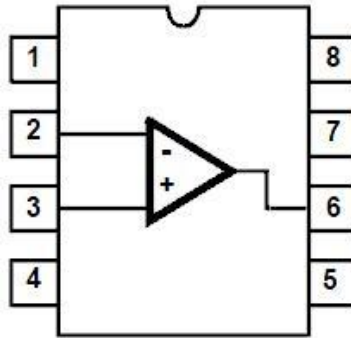
产品特性

- 采用先进的 BiMOS 工艺技术
- 采用 MOSFET 输入
- 具有极高的输入阻抗 (ZIN)：典型值为 $1.5T\Omega$
- 极低的失调电流 (IIO)： $10pA@\pm 15V$
- 很宽的共模输入电压范围 (VICR)： $-15V\sim 12V$
- 较大的输出摆幅 (VOPP)： $-14V\sim 12V$
- 在大多数应用领域可直接替换 741 类运算放大器
- 8 线 DIP 或 SOP 封装
- 工作温度范围： $-25^{\circ}C\sim 125^{\circ}C$

包装和订单信息

产品编号	封装		管体标记	最小包装 (PCS)
CA3140AMZ96-MS	SOP-8			2500
CA3140EZ-MS	DIP-8			50

引脚描述



引出端序号	符号	功能
1	OA1	失调调整
2	IN-	反相输入
3	IN+	同相输入
4	V-	负电源
5	OA2	失调调整
6	OUT	输出
7	V+	正电源
8	ST	选通

图1引出端排列图（顶视图）

功能框图

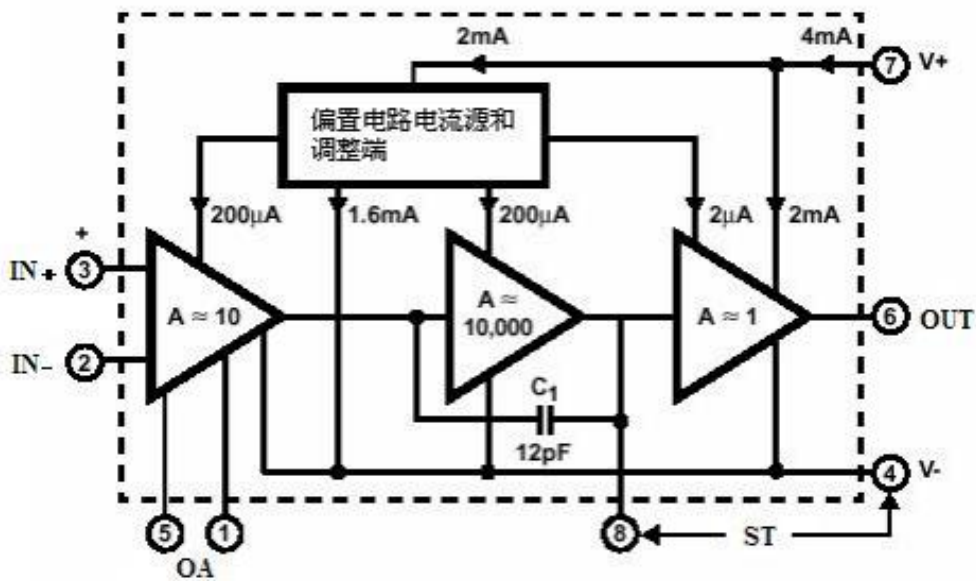


图2 CA3140 电原理框图

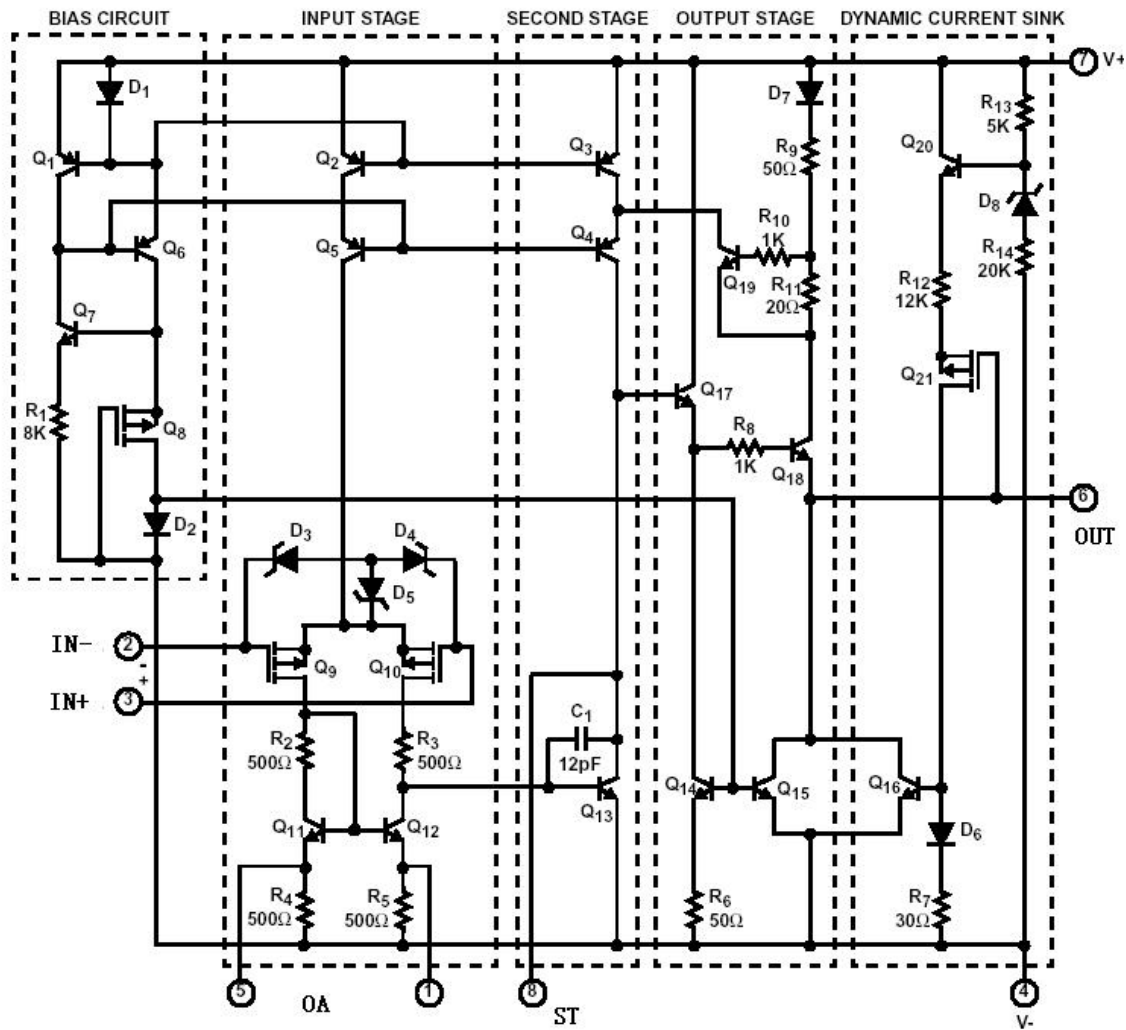


图3 CA3140 线路图

绝对最大额定值

绝对最大额定值如下（除另有注明外，均指在工作环境温度下）：

电源电压 (V_S)	$\pm 18V$
直流输入电压 (V_I)	$(V_+ + 8V) \sim (V_- - 0.5V)$
输入电流 (I_I)	1mA
共模输入电压范围 (V_{ICR})	$-15V \sim 12V$
差模输入电压范围 (V_{IDR})	$-8V \sim 8V$
贮存温度 (T_{stg})	$-65^\circ C \sim 150^\circ C$
引线耐焊接温度(T_h)(10s)	300°C
结温(T_j)	150°C

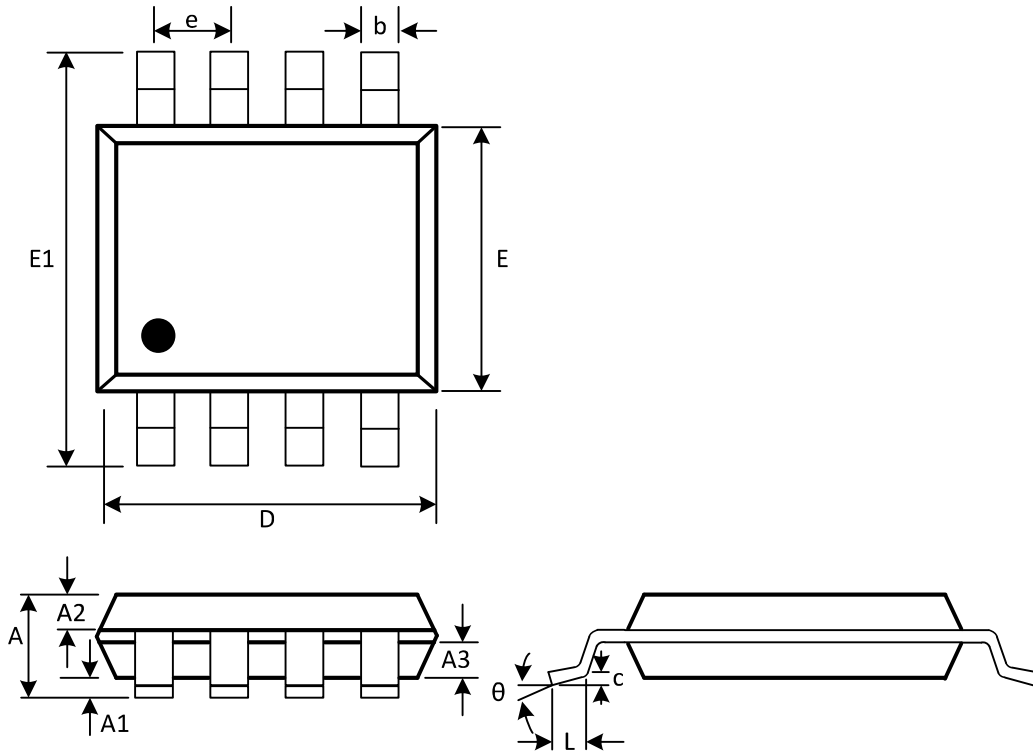
推荐工作条件

电源电压 (V_S)	$\pm 15V$
工作环境温度 (T_A)	$-25^\circ C \sim 125^\circ C$

电特性表

特性	符号	测试条件（除另有规定外， $V_S = \pm 15V$ ， $-25^\circ C \leq T_A \leq 125^\circ C$ ）	极限值			单位
			T_A	最小	最大	
输入失调电压	$ V_{IO} $		25°C	—	5	mV
				—	6.5	
输入失调电压温度系数	$ \alpha V_{IO} $			—	24	$\mu V/^\circ C$
输入失调电流	$ I_{IO} $		25°C	—	20	pA
				—	1000	
输入偏置电流	$ I_{IB} $		25°C	—	40	pA
				—	1500	
开环电压增益	A_{VO}	$V_O = -14V \sim 12V$ ， $R_L = 2k\Omega$	25°C	86	—	dB
				80	—	dB
共模抑制比	K_{CMR}	$V_{CM} = -14V \sim 11V$	25°C	70	—	dB
				64	—	
电源电压抑制比	K_{SVR}	$V_S = \pm 5V \sim \pm 15V$	25°C	76	—	dB
				70	—	
输出峰-峰电压	V_{OPP}^+	$R_L = 2k\Omega$	25°C	+12	—	V
				+11.5	—	
	V_{OPP}^-	$R_L = 2k\Omega$	25°C	-14	—	V
				-13.5	—	
增益带宽积	$G \cdot BW$	$R_L = 2k\Omega$	25°C	3.5	—	MHz
转换速率	S_R	$R_L = 2k\Omega$	25°C	6.0	—	V/ μs
吸入电流（8端）	I_{SINK8}	8端接V-	25°C	160	—	μA
电源电流	I_S	$V_S = \pm 15V$ ， $R_L = \infty$		—	6	mA

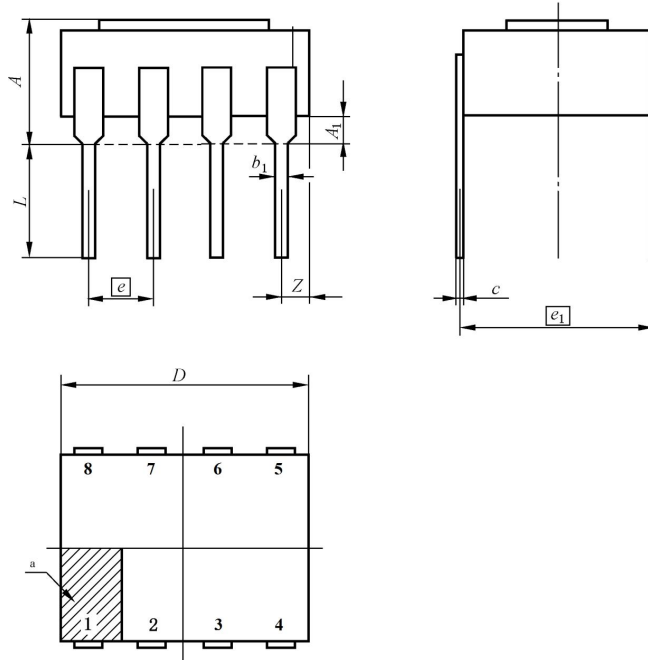
SOP-8



(Unit: mm)

Symbol	Min	Max
A	1.300	1.600
A1	0.050	0.200
A2	0.550	0.650
A3	0.550	0.650
b	0.356	0.456
c	0.203	0.233
D	4.800	5.000
e	1.270(BSC)	
E	3.800	4.000
E1	5.800	6.200
L	0.400	0.800
θ	0°	8°

DIP-8



a 引出端标识区

尺寸符号	数值 (单位: mm)		
	最小	公称	最大
A	—	—	5.10
A1	0.51	—	—
b1	0.35	—	0.59
c	0.20	—	0.36
e	—	2.54	—
e1	—	7.62	—
L	3.5	—	5.00
D	—	—	10.16
Z	—	—	1.27

未注公差按 GB/T1804-c 执行

Attention

- Any and all MSKSEMI Semiconductor products described or contained herein do not have specifications that can handle applications that require extremely high levels of reliability, such as life-support systems, aircraft's control systems, or other applications whose failure can be reasonably expected to result in serious physical and/or material damage. Consult with your MSKSEMI Semiconductor representative nearest you before using any MSKSEMI Semiconductor products described or contained herein in such applications.
- MSKSEMI Semiconductor assumes no responsibility for equipment failures that result from using products at values that exceed, even momentarily, rated values (such as maximum ratings, operating condition ranges, or other parameters) listed in products specifications of any and all MSKSEMI Semiconductor products described or contained herein.
- Specifications of any and all MSKSEMI Semiconductor products described or contained herein stipulate the performance, characteristics, and functions of the described products in the independent state, and are not guarantees of the performance, characteristics, and functions of the described products as mounted in the customer's products or equipment. To verify symptoms and states that cannot be evaluated in an independent device, the customer should always evaluate and test devices mounted in the customer's products or equipment.
- MSKSEMI Semiconductor strives to supply high-quality high-reliability products. However, any and all semiconductor products fail with some probability. It is possible that these probabilistic failures could give rise to accidents or events that could endanger human lives, that could give rise to smoke or fire, or that could cause damage to other property. When designing equipment, adopt safety measures so that these kinds of accidents or events cannot occur. Such measures include but are not limited to protective circuits and error prevention circuits for safe design, redundant design, and structural design.
- In the event that any or all MSKSEMI Semiconductor products (including technical data, services) described or contained herein are controlled under any of applicable local export control laws and regulations, such products must not be exported without obtaining the export license from the authorities concerned in accordance with the above law.
- No part of this publication may be reproduced or transmitted in any form or by any means, electronic or mechanical, including photocopying and recording, or any information storage or retrieval system, or otherwise, without the prior written permission of MSKSEMI Semiconductor.
- Information (including circuit diagrams and circuit parameters) herein is for example only ; it is not guaranteed for volume production. MSKSEMI Semiconductor believes information herein is accurate and reliable, but no guarantees are made or implied regarding its use or any infringements of intellectual property rights or other rights of third parties.
- Any and all information described or contained herein are subject to change without notice due to product/technology improvement, etc. When designing equipment, refer to the "Delivery Specification" for the MSKSEMI Semiconductor product that you intend to use.

X-ON Electronics

Largest Supplier of Electrical and Electronic Components

Click to view similar products for [Operational Amplifiers - Op Amps](#) category:

Click to view products by [MSKSEMI](#) manufacturer:

Other Similar products are found below :

[430227FB](#) [LT1678IS8](#) [NCV33202DMR2G](#) [NJM324E](#) [M38510/13101BPA](#) [NTE925](#) [AZV358MTR-G1](#) [AP4310AUMTR-AG1](#)
[AZV358MMTR-G1](#) [SCY33178DR2G](#) [NCV20034DR2G](#) [NTE778S](#) [NTE871](#) [NTE937](#) [NJU7057RB1-TE2](#) [SCY6358ADR2G](#)
[NJM2904CRB1-TE1](#) [UPC4570G2-E1-A](#) [UPC4741G2-E1-A](#) [UPC4574GR-9LG-E1-A](#) [NJM8532RB1-TE1](#) [EL2250CS](#) [EL5100IS](#) [EL5104IS](#)
[EL5127CY](#) [EL5127CYZ](#) [EL5133IW](#) [EL5152IS](#) [EL5156IS](#) [EL5162IS](#) [EL5202IY](#) [EL5203IY](#) [EL5204IY](#) [EL5210CS](#) [EL5210CYZ](#)
[EL5211IYE](#) [EL5220CY](#) [EL5223CLZ](#) [EL5223CR](#) [EL5224ILZ](#) [EL5227CLZ](#) [EL5227CRZ](#) [EL5244CS](#) [EL5246CS](#) [EL5246CSZ](#) [EL5250IY](#)
[EL5251IS](#) [EL5257IS](#) [EL5260IY](#) [EL5261IS](#)