

# MSKSEMI

SEMICONDUCTOR



ESD



TVS



TSS



MOV

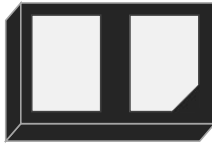


GDT

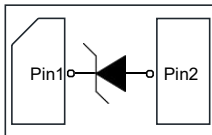


PLED

Product data sheet



**DFN1610-2L**



**Circuit diagram**

## Descriptions

The ESD56201DXX-MS is a transient voltage suppressor designed to protect power interfaces. It is suitable to replace multiple discrete components in portable electronics.

The ESD56201DXX-MS is specifically designed to protect power lines.

The ESD56201DXX-MS is available in DFN1610-2L package. Standard products are Pb-free and Halogen-free.

## Features

- Reverse stand-off voltage: 4.85V ~ 24V
- Surge protection according to IEC61000-4-5 see Table 4
- ESD protection according to IEC61000-4-2 ±30kV (contact and air discharge)
- Low clamping voltage
- Solid-state silicon technology

## Applications

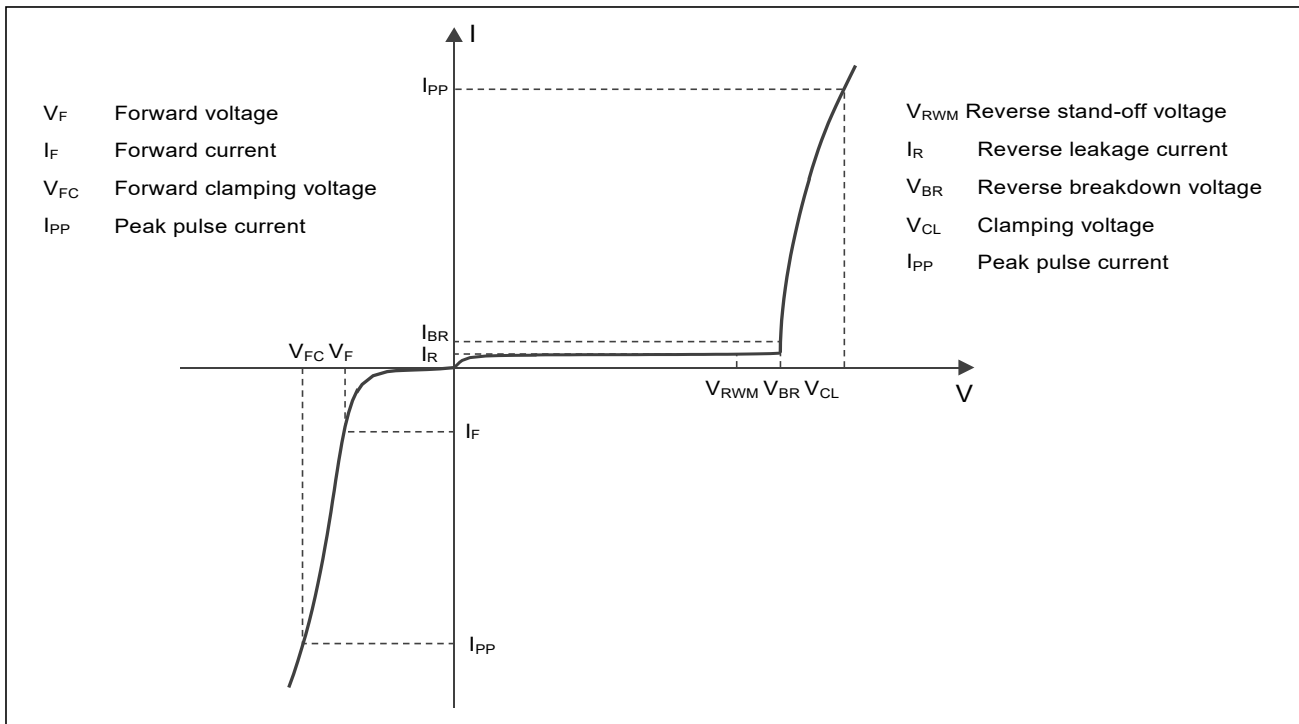
- Power supply protection
- Power management

## Order information

Device	Package	Shipping	Marking
ESD56201D04-MS	DFN1610-2L	3000/Tape&Reel	D4*
ESD56201D05-MS	DFN1610-2L	3000/Tape&Reel	I*
ESD56201D10-MS	DFN1610-2L	3000/Tape&Reel	J*
ESD56201D12-MS	DFN1610-2L	3000/Tape&Reel	K*
ESD56201D15-MS	DFN1610-2L	3000/Tape&Reel	L*
ESD56201D18-MS	DFN1610-2L	3000/Tape&Reel	S*
ESD56201D20-MS	DFN1610-2L	3000/Tape&Reel	N*

Parameter	Symbol	Rating	Unit
Peak pulse power (tp = 8/20μs)	P <sub>pk</sub>	1800	W
ESD according to IEC61000-4-2 air discharge	V <sub>ESD</sub>	±30	kV
ESD according to IEC61000-4-2 contact discharge		±30	
Junction temperature	T <sub>J</sub>	125	°C
Operating temperature	T <sub>OP</sub>	-40~85	°C
Lead temperature	T <sub>L</sub>	260	°C
Storage temperature	T <sub>STG</sub>	-55~150	°C

**Electrical characteristics (T<sub>A</sub> = 25°C, unless otherwise noted)**



**Definitions of electrical characteristics**

**Electrical characteristics (T<sub>A</sub> = 25°C, unless otherwise noted)**

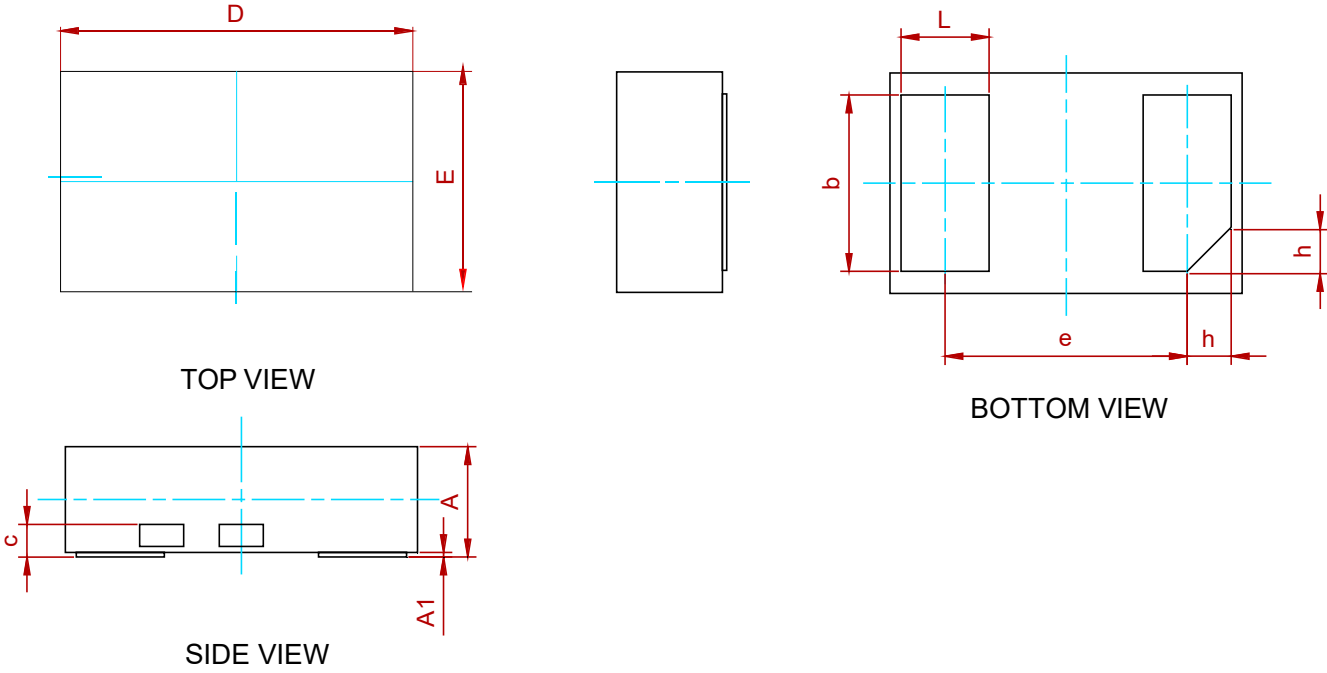
P/N	Reverse Stand-off Voltage V <sub>RWM</sub> (V)	Breakdown voltage V <sub>BR</sub> (V) I <sub>BR</sub> = 1mA			Reverse leakage current I <sub>RM</sub> (μA) at V <sub>RWM</sub>		Forward voltage V <sub>F</sub> (V) I <sub>F</sub> = 20mA		Junction capacitance F = 1MHz, VR=0V (pF)	
	Max	Min	Typ	Max	Typ	Max	Min	Max	Typ	Max
ESD56201D04-MS	4.85	5.2	5.7	6.2	-	5.0	0.45	1.25	1100	1300
ESD56201D05-MS	5.0	6.6	7.1	7.6	-	2.0	0.45	1.25	1050	1250
ESD56201D10-MS	10.0	10.7	11.3	12.3	-	0.1	0.45	1.25	545	650
ESD56201D12-MS	12.0	12.7	13.7	14.6	-	0.1	0.45	1.25	425	510
ESD56201D15-MS	15.0	16.0	17.5	19.0	-	0.1	0.45	1.25	325	350
ESD56201D18-MS	18.0	19.2	21.1	23.0	-	0.1	0.45	1.25	270	300
ESD56201D20-MS	20.0	21.4	23.2	25.0	-	0.1	0.45	1.25	250	275

P/N	Rated peak pulse current I <sub>PP</sub> (A) <sup>1)2)</sup>	Clamping voltage V <sub>CL</sub> (V) at I <sub>PP</sub> (A) <sup>1)2)</sup>	
	Max.	Typ.	Max.
ESD56201D04-MS	120	10.5	12.0
ESD56201D05-MS	100	11.0	13.0
ESD56201D10-MS	86	17.5	20.0
ESD56201D12-MS	75	19.5	22.0
ESD56201D15-MS	60	27.0	30.0
ESD56201D18-MS	50	32.0	35.0
ESD56201D20-MS	45	35.0	38.0

**Notes:**

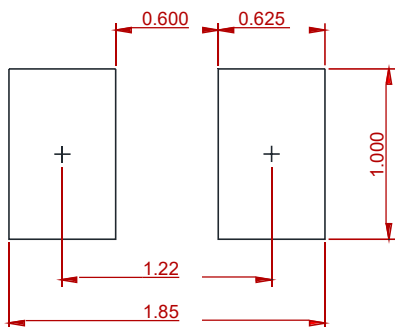
- 1 Non-repetitive current pulse, according to IEC61000-4-5. (8/20μs current waveform)
- 2 Non-repetitive current pulse, according to IEC61000-4-2.
- 3 Measured from pin 1 to pin 2.

**PACKAGE MECHANICAL DATA**



Symbol	Dimensions in Millimeters		
	Min.	Typ.	Max.
A	0.45	0.50	0.55
A1	0.00	0.02	0.05
c	0.15 Ref.		
b	0.75	0.80	0.85
L	0.35	0.40	0.45
D	1.55	1.60	1.65
E	0.95	1.00	1.05
e	1.10 BSC		
h	0.20 Ref.		

**Recommend PCB Layout (Unit: mm)**



**Notes:**

This recommended land pattern is for reference purposes only. Please consult your manufacturing group to ensure your PCB design guidelines are met.

**REEL SPECIFICATION**

P/N	PKG	QTY
ESD56201DXX-MS	DFN1610-2L	3000

## Attention

- Any and all MSKSEMI Semiconductor products described or contained herein do not have specifications that can handle applications that require extremely high levels of reliability, such as life-support systems, aircraft's control systems, or other applications whose failure can be reasonably expected to result in serious physical and/or material damage. Consult with your MSKSEMI Semiconductor representative nearest you before using any MSKSEMI Semiconductor products described or contained herein in such applications.
- MSKSEMI Semiconductor assumes no responsibility for equipment failures that result from using products at values that exceed, even momentarily, rated values (such as maximum ratings, operating condition ranges, or other parameters) listed in products specifications of any and all MSKSEMI Semiconductor products described or contained herein.
- Specifications of any and all MSKSEMI Semiconductor products described or contained herein stipulate the performance, characteristics, and functions of the described products in the independent state, and are not guarantees of the performance, characteristics, and functions of the described products as mounted in the customer's products or equipment. To verify symptoms and states that cannot be evaluated in an independent device, the customer should always evaluate and test devices mounted in the customer's products or equipment.
- MSKSEMI Semiconductor strives to supply high-quality high-reliability products. However, any and all semiconductor products fail with some probability. It is possible that these probabilistic failures could give rise to accidents or events that could endanger human lives, that could give rise to smoke or fire, or that could cause damage to other property. When designing equipment, adopt safety measures so that these kinds of accidents or events cannot occur. Such measures include but are not limited to protective circuits and error prevention circuits for safe design, redundant design, and structural design.
- In the event that any or all MSKSEMI Semiconductor products (including technical data, services) described or contained herein are controlled under any of applicable local export control laws and regulations, such products must not be exported without obtaining the export license from the authorities concerned in accordance with the above law.
- No part of this publication may be reproduced or transmitted in any form or by any means, electronic or mechanical, including photocopying and recording, or any information storage or retrieval system, or otherwise, without the prior written permission of MSKSEMI Semiconductor.
- Information (including circuit diagrams and circuit parameters) herein is for example only ; it is not guaranteed for volume production. MSKSEMI Semiconductor believes information herein is accurate and reliable, but no guarantees are made or implied regarding its use or any infringement of intellectual property rights or other rights of third parties.
- Any and all information described or contained herein are subject to change without notice due to product/technology improvement, etc. When designing equipment, refer to the "Delivery Specification" for the MSKSEMI Semiconductor product that you intend to use.

## X-ON Electronics

Largest Supplier of Electrical and Electronic Components

*Click to view similar products for [ESD Suppressors / TVS Diodes](#) category:*

*Click to view products by [MSKSEMI](#) manufacturer:*

Other Similar products are found below :

[60KS200C](#) [D18V0L1B2LP-7B](#) [D5V0F4U5P5-7](#) [DESD5V0U1BB-7](#) [NTE4902](#) [P4KE27CA](#) [P6KE11CA](#) [P6KE39CA-TP](#) [P6KE8.2A](#)  
[SA110CA](#) [SA60CA](#) [SA64CA](#) [SMBJ12CATR](#) [SMBJ33CATR](#) [SMBJ8.0A](#) [ESD101-B1-02ELS E6327](#) [ESD105-B1-02EL E6327](#) [ESD112-B1-02EL E6327](#) [ESD119B1W01005E6327XTSA1](#) [ESD5V0L1B02VH6327XTSA1](#) [ESD7451N2T5G](#) [19180-510](#) [CPDT-5V0USP-HF](#)  
[3.0SMCJ33CA-F](#) [3.0SMCJ36A-F](#) [HSPC16701B02TP](#) [D3V3Q1B2DLP3-7](#) [D55V0M1B2WS-7](#) [DESD5V0U1BL-7B](#) [DRTR5V0U4SL-7](#)  
[SCM1293A-04SO](#) [ESD200-B1-CSP0201 E6327](#) [SM12-7](#) [SMLJ45CA-TP](#) [CEN955 W/DATA](#) [82350120560](#) [VESD12A1A-HD1-GS08](#)  
[CPDUR5V0R-HF](#) [CPDQC5V0U-HF](#) [CPDQC5V0USP-HF](#) [CPDQC5V0-HF](#) [D1213A-01LP4-7B](#) [D1213A-02WL-7](#) [MMAD1108/TR13](#)  
[5KP100A](#) [5KP15A](#) [5KP18A](#) [5KP48A](#) [5KP90A](#) [5KP90CA](#)