

MSKSEMI 美森科

SEMICONDUCTOR



ESD



TVS



TSS



MOV



GDT



PLED

HT78XX-MS

Product specification

GENERAL DESCRIPTION

The HT78XX-MS series is a set of low voltage differential (LDO) converters with a wide voltage input range of 2.8V to 5.0V, low voltage differential, low power consumption, and miniaturized packaging. The output voltage range is 3.0-5.0V, and the HT78XX-MS has low static current characteristics as low as 3.0 μ A. The circuit also has a CE enable control port, which can put the circuit into sleep mode. It is particularly suitable for battery powered and long-term standby system equipment applications, helping to reduce standby power consumption of system equipment, effectively extending standby time and battery life.

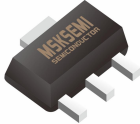
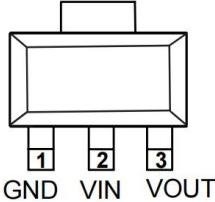





FEATURES

- Low Power Consumption
- Low Voltage Drop
- Low Temperature Coefficient
- Withstanding Voltage 12V
- Quiescent Current 3.0 μ A
- Output Voltage Accuracy: tolerance \pm 2%
- High output current: 450mA

TYPICAL APPLICATIONS

- Battery-powered Equipments
- Communication Equipments
- Audio/Video Equipments

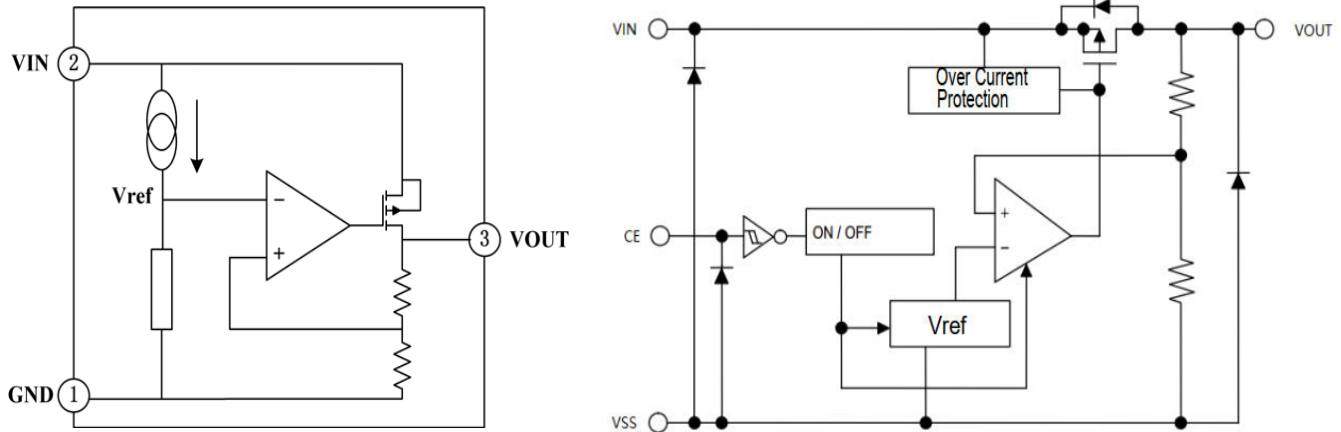
PACKAGE/ORDER INFORMATION

Part Number	Output	Package		Pin Configuration	Marking	QTY
HT7828-MS	2.8V	SOT89-3				1000
HT7830-MS	3.0V					1000
HT7833-MS	3.3V					1000
HT7836-MS	3.6V					1000
HT7850-MS	5.0V					1000

PIN DESCRIPTION

PIN No.	Name	Functions Description
1	GND	ground
2	VIN	input
3	VOUT	output

FUNCTIONALBLOCKDIAGRAM



ABSOLUTE MAXIMUM RATINGS

Description	Symbol	Value range	Unit
Limit Power Voltage	V_{IN}	-0.3 ~ +15	V
Storage Temperature Range	T_{STG}	-50 ~ +125	°C
Operating Free-air Temperature Range	T_A	-40 ~ +85	°C

Note : Stresses greater than those listed under “Absolute Maximum Ratings” may cause permanent damage to the device. These are stress ratings only, and functional operation of the device at these or any other conditions beyond those indicated under “Recommended Operating Conditions” is not implied. Exposure to “Absolute Maximum Ratings” for extended periods may affect device reliability.

HEAT DISSIPATION

Description	Symbol	Package	Value range	Unit
Thermal resistance	θ_{JA}	SOT89	200	°C/W
Power dissipation	P_W	SOT89	500	mW

DC CHARACTERISTICS (unless otherwise noted $T_A = \pm 25^\circ\text{C}$)

Parameter	Symbol	Test Condition	Min	Typ	Max	Unit
Input Voltage	V_{IN}		3.0		12	V
Output Voltage	V_{OUT}		3.0		5.0	V
Voltage Accuracy		$I_{OUT} = 1\text{mA}$	-2		+2	%
Output Current	I_{OUT}	$V_{IN} = V_{OUT} + 2.0\text{V}$	—	—	450	mA
Load Regulation	ΔV_{OUT}	$V_{IN} = V_{OUT} + 2.0\text{V}$ $1\text{mA} \leq I_{OUT} \leq 150\text{mA}$	—	50	—	mV
Line Regulation	$\frac{\Delta V_{OUT}}{V_{OUT}} * \Delta V_{IN}$	$V_{OUT} + 1.0\text{V} \leq V_{IN} \leq 20\text{V}$ $I_{OUT} = 10\text{mA}$	—	0.015	0.2	%/V
Voltage Drop	$V_{DIF}^{\text{①}}$	$I_{OUT} = 100\text{mA}, V_{OUT} = 3.3\text{V}$	—	200	—	mV
Quiescent Current	I_{SS}	$V_{CE} = V_{IN}$	—	3.0	5.0	μA
Standby Current	$I_{STANDBY}$	$V_{CE} = V_{SS}$			0.2	μA
--	V_{CEH}	$V_{IN} = V_{OUT} + 2.0\text{V}$	1.7		24	V
--	V_{CEL}	$V_{IN} = V_{OUT} + 2.0\text{V}$	0		0.3	V
short-circuit current	I_{SHORT}	$V_{IN} = V_{OUT} + 2.0\text{V}$	—	400	—	mA
Temperature Coefficient	$\frac{\Delta V_{OUT}}{\Delta T_A} * V_{OUT}$	$V_{IN} = V_{OUT} + 2.0\text{V}$ $I_{OUT} = 10\text{mA}$ $-40^\circ\text{C} \leq T_A \leq 125^\circ\text{C}$	—	± 100	—	ppm/ $^\circ\text{C}$
Discharge Resistor	$R_{DIS}^{\text{②}}$	$V_{CE} < 0.5\text{V}$		300		Ω

Note : When $V_{IN} = V_{OUT} + 2.0\text{V}$, as the output voltage declined 2%, the $V_{DIF} = V_{IN} - V_{OUT}$.

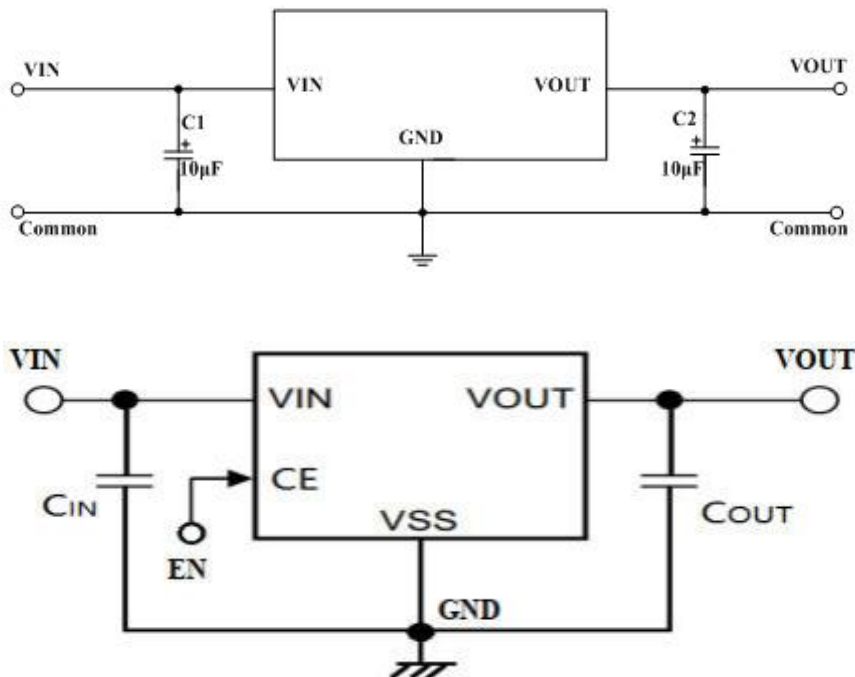
Output active discharge resistor R_{DIS} , As the input voltage increases, it decreases.

FUNCTIONAL DESCRIPTION

HT78XX-MS series are linear voltage regulator ICs withstanding 14V voltage. The series IC consists of a voltage reference, an error amplifier, a current limiter and a phase compensation circuit plus a driver transistor. The output stabilization capacitor is also compatible with low ESR ceramic capacitors.

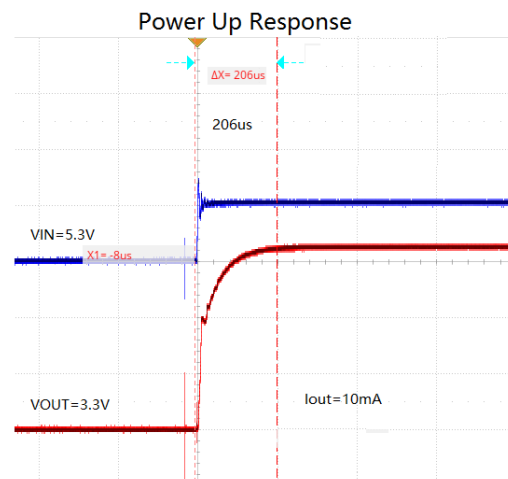
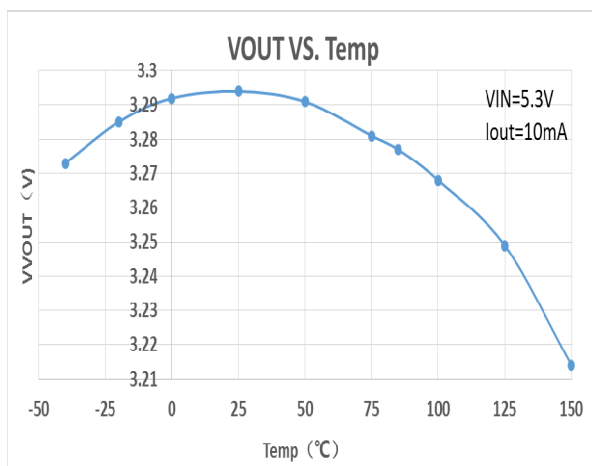
The over current protection circuit and the over voltage protection circuit are built-in. The protection circuit will operate when the output current or input voltage reaches limit level.

TYPICAL APPLICATION CIRCUIT



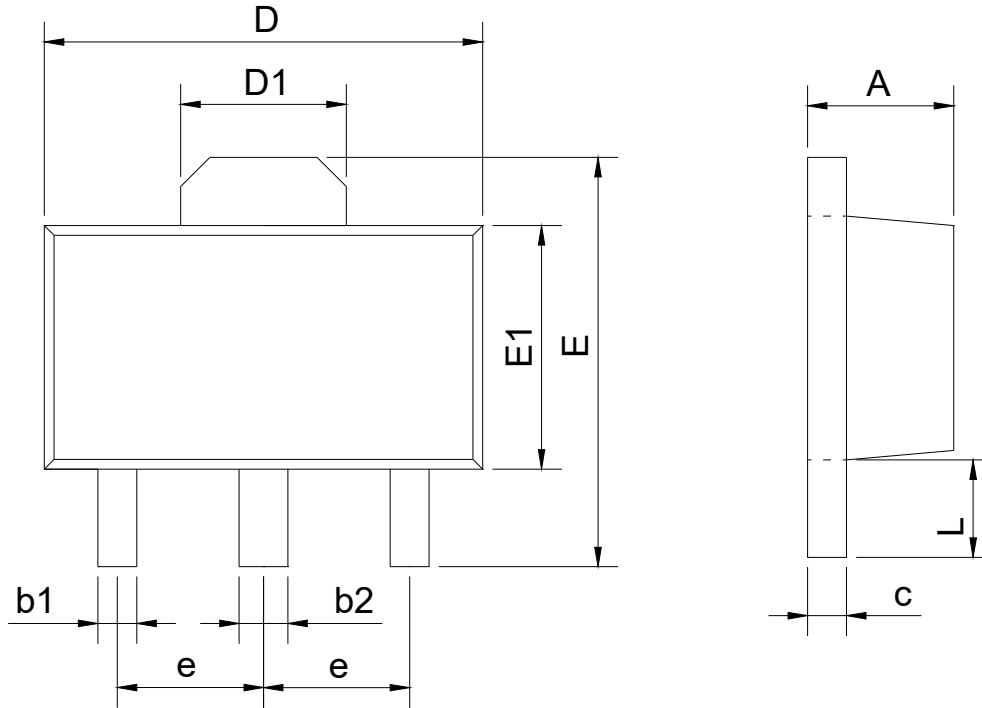
1. CIN is used to stabilize the input capacitor
2. CIN eramic capacitors greater than or equal to 1pF can be used for COUT.

TYPICAL CHARACTERISTICS



PACKAGE INFORMATION

SOT89



SYMBOL	mm	
	min	max
A	1.40	1.60
b1	0.35	0.50
b2	0.45	0.60
c	0.36	0.46
D	4.30	4.70
D1	1.40	1.80
E	4.00	4.40
E1	2.30	2.70
e	1.50BSC	
L	0.80	1.20

Attention

- Any and all MSKSEMI Semiconductor products described or contained herein do not have specifications that can handle applications that require extremely high levels of reliability, such as life-support systems, aircraft's control systems, or other applications whose failure can be reasonably expected to result in serious physical and/or material damage. Consult with your MSKSEMI Semiconductor representative nearest you before using any MSKSEMI Semiconductor products described or contained herein in such applications.
- MSKSEMI Semiconductor assumes no responsibility for equipment failures that result from using products at values that exceed, even momentarily, rated values (such as maximum ratings, operating condition ranges, or other parameters) listed in products specifications of any and all MSKSEMI Semiconductor products described or contained herein.
- Specifications of any and all MSKSEMI Semiconductor products described or contained herein stipulate the performance, characteristics, and functions of the described products in the independent state, and are not guarantees of the performance, characteristics, and functions of the described products as mounted in the customer's products or equipment. To verify symptoms and states that cannot be evaluated in an independent device, the customer should always evaluate and test devices mounted in the customer's products or equipment.
- MSKSEMI Semiconductor strives to supply high-quality high-reliability products. However, any and all semiconductor products fail with some probability. It is possible that these probabilistic failures could give rise to accidents or events that could endanger human lives, that could give rise to smoke or fire, or that could cause damage to other property. When designing equipment, adopt safety measures so that these kinds of accidents or events cannot occur. Such measures include but are not limited to protective circuits and error prevention circuits for safe design, redundant design, and structural design.
- In the event that any or all MSKSEMI Semiconductor products (including technical data, services) described or contained herein are controlled under any of applicable local export control laws and regulations, such products must not be exported without obtaining the export license from the authorities concerned in accordance with the above law.
- No part of this publication may be reproduced or transmitted in any form or by any means, electronic or mechanical, including photocopying and recording, or any information storage or retrieval system, or otherwise, without the prior written permission of MSKSEMI Semiconductor.
- Information (including circuit diagrams and circuit parameters) herein is for example only ; it is not guaranteed for volume production. MSKSEMI Semiconductor believes information herein is accurate and reliable, but no guarantees are made or implied regarding its use or any infringements of intellectual property rights or other rights of third parties.
- Any and all information described or contained herein are subject to change without notice due to product/technology improvement, etc. When designing equipment, refer to the "Delivery Specification" for the MSKSEMI Semiconductor product that you intend to use.

X-ON Electronics

Largest Supplier of Electrical and Electronic Components

Click to view similar products for [Linear Voltage Regulators](#) category:

Click to view products by [MSKSEMI](#) manufacturer:

Other Similar products are found below :

[LV5684PVD-XH](#) [MCDTSA6-2R](#) [L7815ACV-DG](#) [714954EB](#) [ZMR500QFTA](#) [BA033LBSG2-TR](#) [LV5680P-E](#) [L79M05T-E](#) [L78LR05D-MA-E](#) [NCV317MBTG](#) [NTE7227](#) [MP2018GZD-33-P](#) [MP2018GZD-5-P](#) [LV5680NPVC-XH](#) [LT1054CN8](#) [UA78L09CLP](#) [UA78L09CLPR](#) [CAT6221-PPTD-GT3](#) [MC78M09CDTRK](#) [NCV51190MNTAG](#) [78M05](#) [HT7150-1](#) [UM1540DB-18](#) [XC6234H281VR-G](#) [WL2834CA-6/TR](#) [TPL730F33-5TR](#) [TLS850F1TA](#) [V50](#) [TPS549B22RVFR](#) [UM1540DB-33](#) [WL9200P3-50B](#) [WL9100P3-33B](#) [XC6219B152MR](#) [WL2855K33-3/TR](#) [PJ54BM33SE](#) [PJ9500M25SA](#) [MD7218E33PC1](#) [H7533-2PR](#) [SK7812AU](#) [SD1A30](#) [78L33](#) [TP78L33T3](#) [SK6513ST3A-50](#) [SK6054D4-09](#) [SK6054D4-18](#) [SK6054D4-11](#) [SK6054D4-10](#) [LM79L12F](#) [HLP2985AIM5X-5.0](#) [HLP2992AIM5X-5.0/NOPB](#) [HMIC5205-5.0YM5-TR](#)