

# MSKSEMI 美森科

SEMICONDUCTOR



ESD



TVS



TSS



MOV



GDT



PLED

## RT9193-XXGB-MS

产品手册

## 概述

RT9193 系列是以 CMOS 工艺制造的高精度，低噪音，快速响应低压差线性稳压器。该系列的稳压器内 置固定的参考电压，误差修正电路，限流电路，相位补偿电路以及低内阻的 MOSFET, 达到高纹波抑制，低 输出噪音，快速响应低压差的性能。

RT9193 系列兼容体积比但电容更小的陶瓷电容，而且不需使用 0.1 pF 的 By-pass 电容，更能节省空 间，降低了成本。因具有高精度的输出稳定性，以及快速瞬态响应性能，从而能应付负载电流的波动，**所以特别适**合应用在手持设备及射频产品上。

通过控制芯片上的 CE 脚，可将输出关断，关断输出后的静态电流只有 1uA (Typ 值)，从而大大降低了功耗。

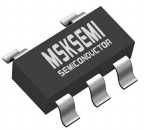
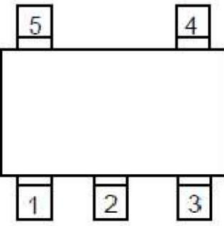
## 产品特点

- 高精度输出电压：±2.0%；
- 可选择输出电压：1.2V~3.6V；
- 极低的静态电流 (Typ. =70uA)；
- 极低的关断电流 (Typ. =1uA)；
- 输入稳定性好：Typ. =0.2%/V；
- 带载能力强：当  $V_{in}=4.3V$  且  $V_{out}=3.3V$  时,  $I_{out}=300mA$ ；
- 内置过流保护和负载短路保护；
- 兼容陶瓷电容；
- 封装形式：SOT-23-5

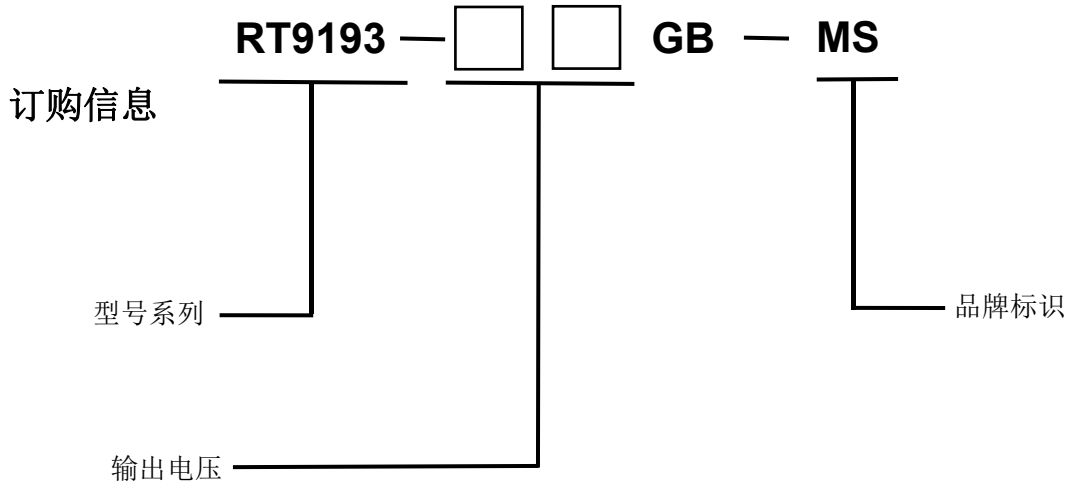
## 产品用途

- 智能手机/移动电话
- 数码相机/摄像机
- 电池供电设备
- 蓝牙及其他射频产品
- 便携式消费类设备

## 封装形式和管脚定义功能

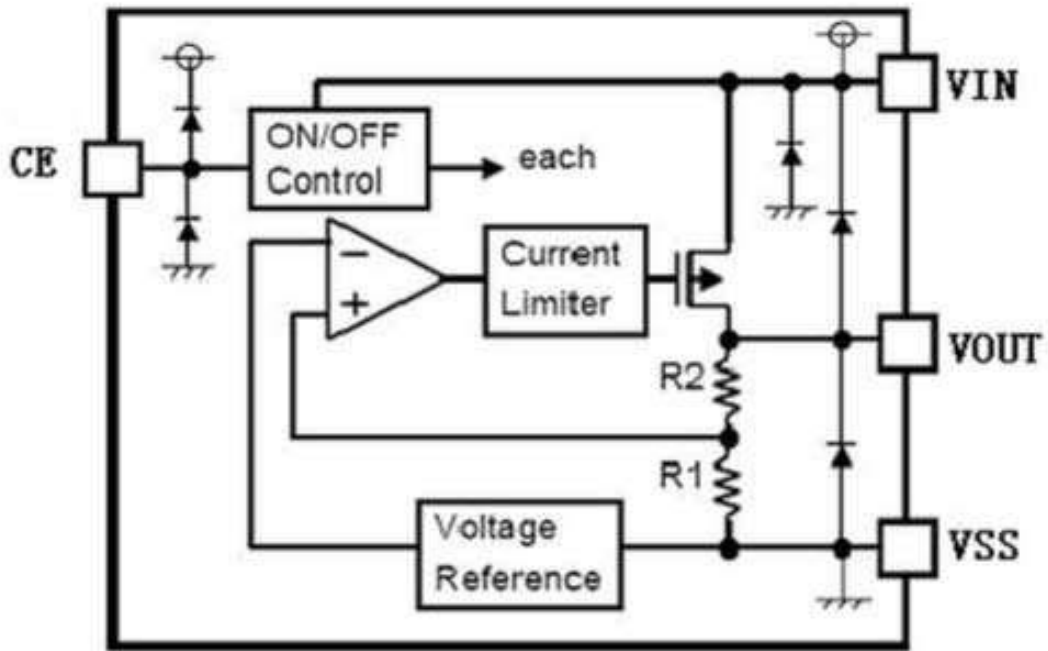
封装	管脚定义
	
SOT-23-5	

管脚序号	管脚定义	功能说明
封装		
SOT-23-5		
1	VIN	输入端
2	VSS	接地端
3	CE	使能端
4	NC	空
5	VOUT	输出端



型号	封装	输出电压
RT9193-12GB-MS	SOT-23-5	1.2V
RT9193-15GB-MS	SOT-23-5	1.5V
RT9193-18GB-MS	SOT-23-5	1.8V
RT9193-25GB-M	SOT-23-5	2.5V
RT9193-28GB-MS	SOT-23-5	2.8V
RT9193-30GB-MS	SOT-23-5	3V
RT9193-33GB-MS	SOT-23-5	3.3V

功能框图

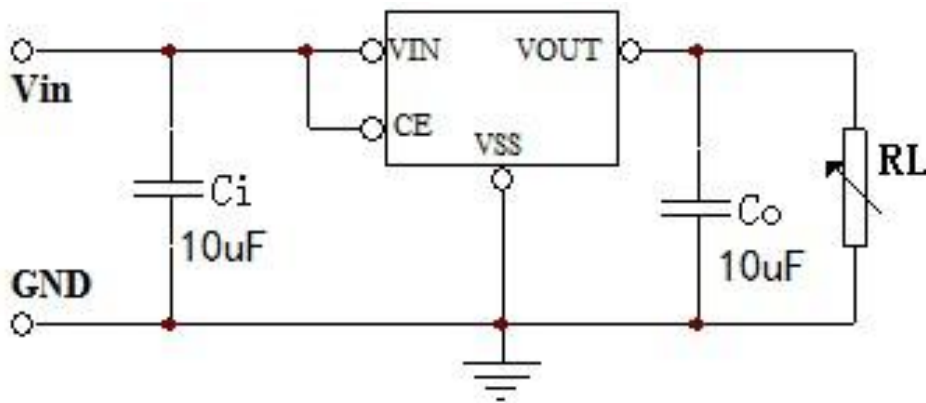


极限参数

项目	符号	说明		极限值	单位
电压	Vin	输入电压		6	V
	Vout	输出电压		$V_{SS}-0.3 \sim V_{in}+0.3$	V
电流	Iout	输出电流		450	mA
功耗	PD	SOT-23-5	最大允许功耗	300	mW
温度	TOPR	工作温度		$-40 \sim +85$	$^{\circ}\text{C}$
	Tstg	存储温度		$-40 \sim +125$	$^{\circ}\text{C}$
	Tsolder	焊接温度		$260^{\circ}\text{C}, 10\text{s}$	

注：极限参数是指无论在任何条件下都不能超过的极限值。万一超过此极限值，将有可能造成产品劣化等物理性损伤；同时在接近极限参数下，不能全部保证芯片可以正常工作。

典型应用



**电学特性** RT9193  $V_{OUT}(T) = 3.3V$  ( $C_i=C_o=10\mu F, T_a=25^\circ C$  除特别指定)

特性	符号	测试条件	最小值	典型值	最大值	单位
输出电压	$V_{OUT}(E)$	$I_{OUT}=1mA, V_{IN}=5V,$ $V_{CE}=1.6V$	3.24	3.300	3.360	V
最大输出电流	$I_{OUT}(max)$	$V_{IN}=4.3V$		300		mA
负载稳定度	$\Delta V_{QUT}$	$V_{IN}=V_{CE}=4.3V,$ $1mA \leq I_{OUT} \leq 100mA$		12		mV
输入稳定度	$\Delta V_{OUT}/(\Delta V_{IN} \cdot V_{QUT})$	$I_{OUT}=10mA, 4.3V < V_{IN} < 7V$		0.2		%/V
跌落压差	$V_{drop1}$	$V_{IN}=4.3V, I_{OUT}=10mA$		35		mV
	$V_{drop2}$	$V_{IN}=4.3V, I_{OUT}=100mA$		280		mV
静态电流	$I_{SS1}$	$V_{IN}=V_{CE}=5V$	—	70	—	uA
	$I_{SS2}$	$V_{IN}=5V, V_{CE}=V_{SS}$			1.0	uA
CE 输入电压	$V_{CEH}$		1.6		$V_{IN}$	V
	$V_{CEL}$		0		0.5	V
CE 输入电流	$I_{CE}$	$V_{CE}=0V$ to $V_{IN}$			0.5	uA
纹波抑制比	PSRR	$V_{IN}=V_{CE}=4.3V+1VP-PAC$ $I_{OUT}=10mA, f=1kHz$		70		dB
输出电压 温度系数	$\Delta V_{OUT}/(AT_a \cdot V_{OUT})$	$V_{IN}=V_{CE}=4.3V,$ $I_{OUT}=3.3mA$ $0^\circ C < T_a < 60^\circ C$		$\pm 290$		ppm/ $^\circ C$
输入电压	$V_{IN}$		1.2		6	V

注:

- $V_{OUT}(T)$ : 规定的输出电压。
- $V_{OUT}(E)$ : 有效输出电压(即当  $I_{OUT}$  保持一定数值,  $V_{IN}=(V_{OUT}(E)+1.0V)$  时的输出电压。。)
- $I_{OUT}(max)$ : 缓慢增加  $V$  输出电流, 当输出电压  $V_{OUT}(E)$  \*95% 时的电流值。

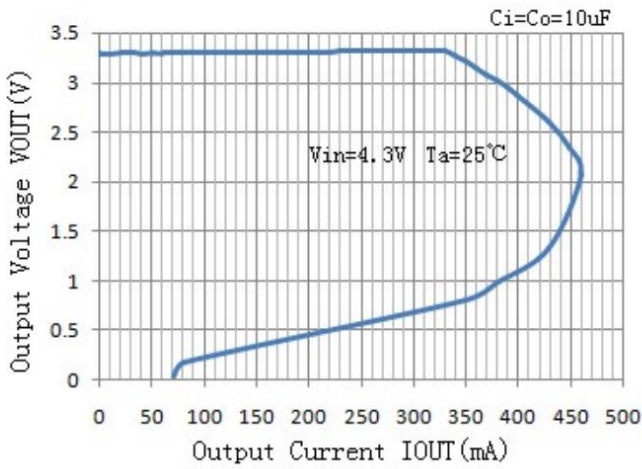
 4、 $drop = V_{INI} - V_{OUT}(E)$ 
 $V_{INI}$  = 逐渐减小输入电压, 当输出电压降为  $V_{OUT}(E)$  的 98% 时的输入电压。

 $V_{OUT}(E)S = V_{OUT}(E)1 * 98\%$ ;

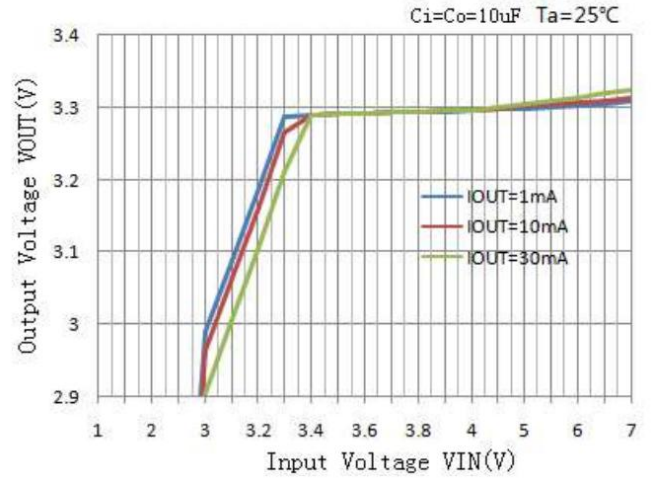
 $V_{OUT}(E)1$  = 当  $V_{IN} = V_{OUT}(T) + 1V$ ,  $I_{OUT} = K$  一数值时的输出电压值。

特性曲线 (3.3V 输出)

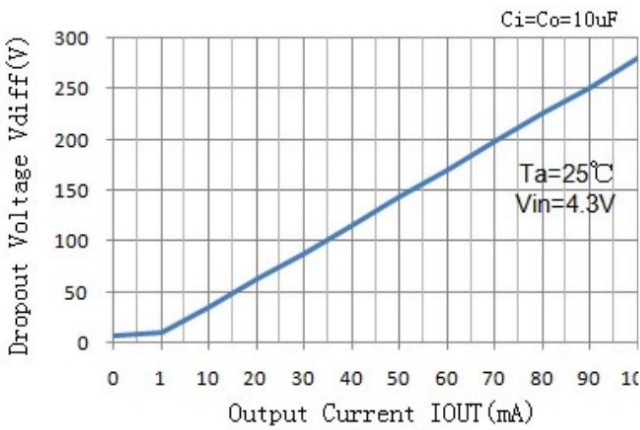
1、输出电压和输出电流



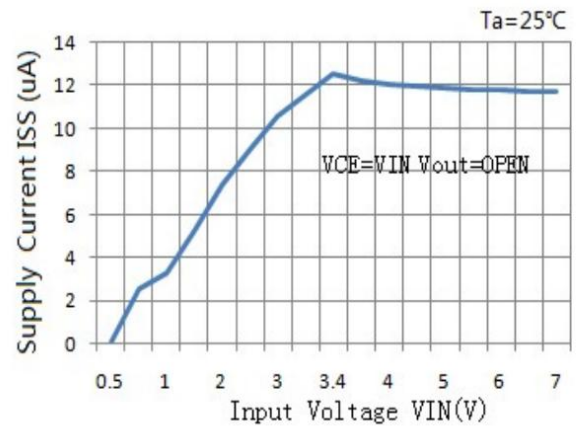
2、输出电压和输入电压



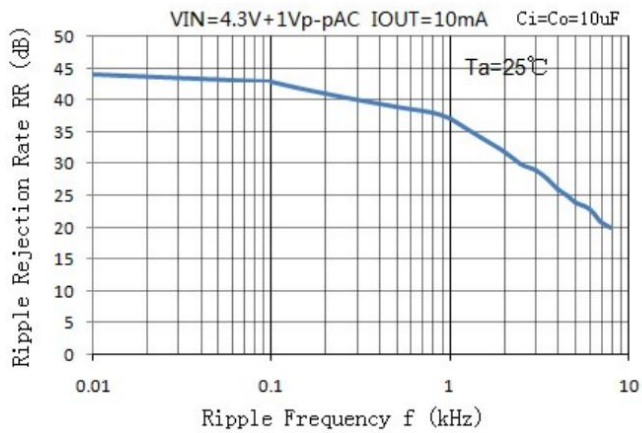
3、Dropout 电压和输出电流



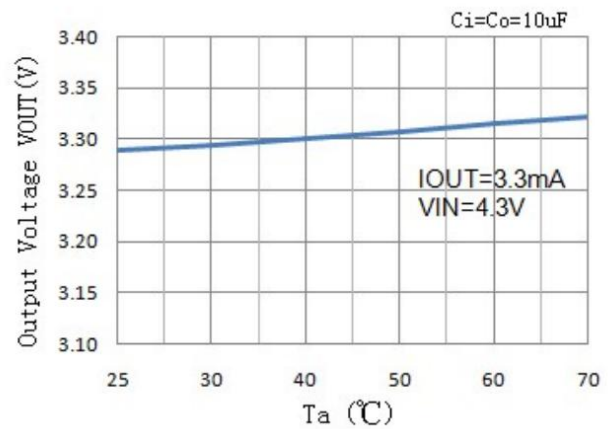
4、输入电压和静态电流



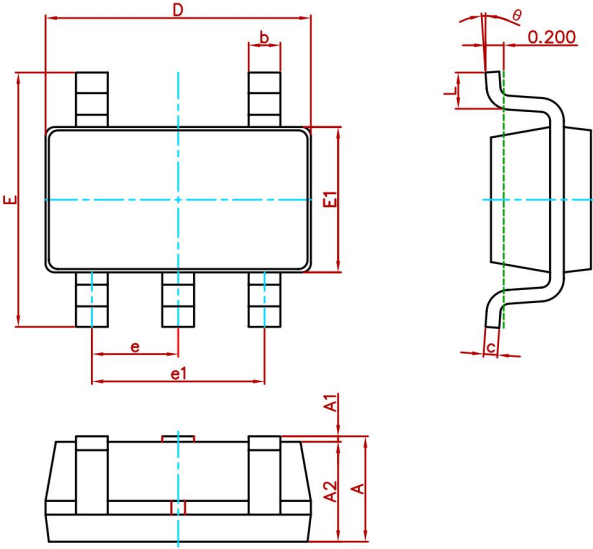
5、纹波抑制



6、输出电压和温度

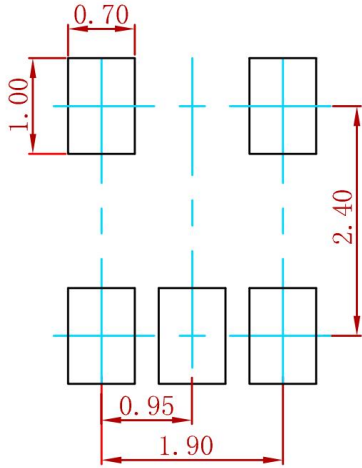


封装说明



Symbol	Dimensions In Millimeters		Dimensions In Inches	
	Min.	Max.	Min.	Max.
A	1.050	1.250	0.041	0.049
A1	0.000	0.100	0.000	0.004
A2	1.050	1.150	0.041	0.045
b	0.300	0.500	0.012	0.020
c	0.100	0.200	0.004	0.008
D	2.820	3.020	0.111	0.119
E	2.650	2.950	0.104	0.116
E1	1.500	1.700	0.059	0.067
e	0.950 (BSC)		0.037 (BSC)	
e1	1.800	2.000	0.071	0.079
L	0.300	0.600	0.012	0.024
θ	0°	8°	0°	8°

焊盘布局



Note:  
 1. Controlling dimension: in millimeters.  
 2. General tolerance: ±0.05mm.  
 3. The pad layout is for reference purposes only.

卷轴规格

P/N	PKG	QTY
RT9193-XXGB-MS	SOT-23-5	3000

## Attention

- Any and all MSKSEMI Semiconductor products described or contained herein do not have specifications that can handle applications that require extremely high levels of reliability, such as life-support systems, aircraft's control systems, or other applications whose failure can be reasonably expected to result in serious physical and/or material damage. Consult with your MSKSEMI Semiconductor representative nearest you before using any MSKSEMI Semiconductor products described or contained herein in such applications.
- MSKSEMI Semiconductor assumes no responsibility for equipment failures that result from using products at values that exceed, even momentarily, rated values (such as maximum ratings, operating condition ranges, or other parameters) listed in products specifications of any and all MSKSEMI Semiconductor products described or contained herein.
- Specifications of any and all MSKSEMI Semiconductor products described or contained herein stipulate the performance, characteristics, and functions of the described products in the independent state, and are not guarantees of the performance, characteristics, and functions of the described products as mounted in the customer's products or equipment. To verify symptoms and states that cannot be evaluated in an independent device, the customer should always evaluate and test devices mounted in the customer's products or equipment.
- MSKSEMI Semiconductor strives to supply high-quality high-reliability products. However, any and all semiconductor products fail with some probability. It is possible that these probabilistic failures could give rise to accidents or events that could endanger human lives, that could give rise to smoke or fire, or that could cause damage to other property. When designing equipment, adopt safety measures so that these kinds of accidents or events cannot occur. Such measures include but are not limited to protective circuits and error prevention circuits for safe design, redundant design, and structural design.
- In the event that any or all MSKSEMI Semiconductor products (including technical data, services) described or contained herein are controlled under any of applicable local export control laws and regulations, such products must not be exported without obtaining the export license from the authorities concerned in accordance with the above law.
- No part of this publication may be reproduced or transmitted in any form or by any means, electronic or mechanical, including photocopying and recording, or any information storage or retrieval system, or otherwise, without the prior written permission of MSKSEMI Semiconductor.
- Information (including circuit diagrams and circuit parameters) herein is for example only ; it is not guaranteed for volume production. MSKSEMI Semiconductor believes information herein is accurate and reliable, but no guarantees are made or implied regarding its use or any infringements of intellectual property rights or other rights of third parties.
- Any and all information described or contained herein are subject to change without notice due to product/technology improvement, etc. When designing equipment, refer to the "Delivery Specification" for the MSKSEMI Semiconductor product that you intend to use.



## X-ON Electronics

Largest Supplier of Electrical and Electronic Components

*Click to view similar products for [Linear Voltage Regulators](#) category:*

*Click to view products by [MSKSEMI](#) manufacturer:*

Other Similar products are found below :

[LV5684PVD-XH](#) [MCDTSA6-2R](#) [L7815ACV-DG](#) [LV56801P-E](#) [UA7805CKC](#) [714954EB](#) [ZMR500QFTA](#) [BA033LBSG2-TR](#)  
[NCV78M05ABDTRKG](#) [LV5680P-E](#) [L79M05T-E](#) [L78LR05D-MA-E](#) [NCV317MBTG](#) [NTE7227](#) [MP2018GZD-33-P](#) [MP2018GZD-5-P](#)  
[LV5680NPVC-XH](#) [ZTS6538SE](#) [UA78L09CLP](#) [UA78L09CLPR](#) [CAT6221-PPTD-GT3](#) [MC78M09CDTRK](#) [NCV51190MNTAG](#)  
[BL1118CS8TR1833](#) [BL8077CKETR33](#) [BL9153-33CC3TR](#) [BL9161G-28BADRN](#) [BRCO7530MMC](#) [CJ7815B-TFN-ARG](#) [LM317C](#)  
[GM7333K](#) [GM7350K](#) [XC6206P332MR](#) [HT7533](#) [LM7912S/TR](#) [LT1764S/TR](#) [LM7805T](#) [LM338T](#) [LM1117IMP-3.3/TR](#) [HT1117AM-3.3](#)  
[HT7550S](#) [AMS1117-3.3](#) [HT7150S](#) [78L12](#) [HT7550](#) [HT7533-1](#) [HXY6206I-2.5](#) [HT7133](#) [HT7533S](#) [662K](#)