

# MSKSEMI 美森科

SEMICONDUCTOR



ESD



TVS



TSS



MOV



GDT



PLED

## XC6202PXXXMR-MS

Product specification

## GENERAL DESCRIPTION

XC6202PXXXMR-MS series are a set of Low Dropout Linear Regulator ICs implemented in CMOS technology. They can withstand voltage 20V. And they are available with low voltage drop and low quiescent current, widely used in audio, video and communication appliances.

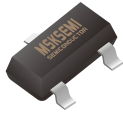
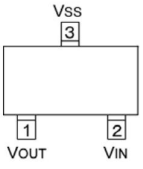
## FEATURES

- Low Power Consumption
- Low Voltage Drop
- Low Temperature Coefficient
- Withstanding Voltage 20V
- Quiescent Current 2.0 $\mu$ A
- Output Voltage Accuracy: tolerance  $\pm$ 2%
- High output current: 150mA

## TYPICAL APPLICATIONS

- Battery-powered Equipments
- Communication Equipments
- Audio/Video Equipments
- Smart Battery Packs
- Smoke Detectors
- CO2 DETECTORS

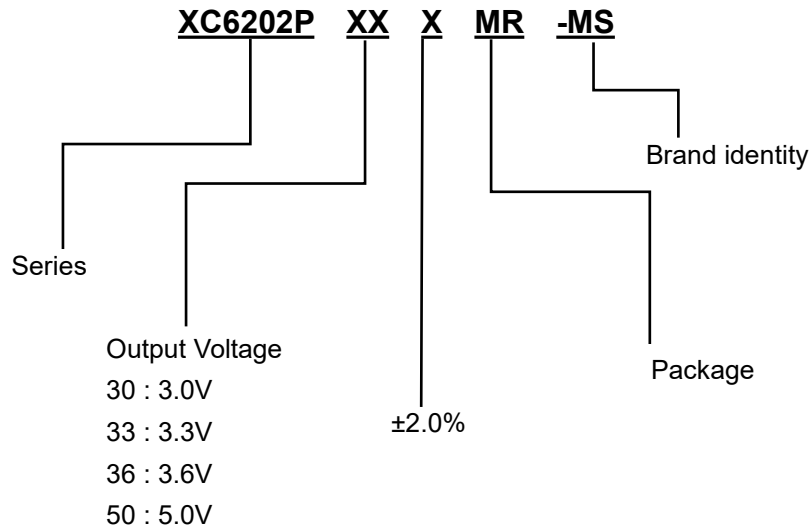
## PACKAGE/ORDER INFORMATION

Part Number	Package	Pin Configuration	Marking	QTY
XC6202P302MR-MS	SOT-23 		<b>24ZX</b>	3000
XC6202P332MR-MS			<b>252A</b>	3000
XC6202P362MR-MS			<b>255B</b>	3000
XC6202P502MR-MS			<b>25MX</b>	3000

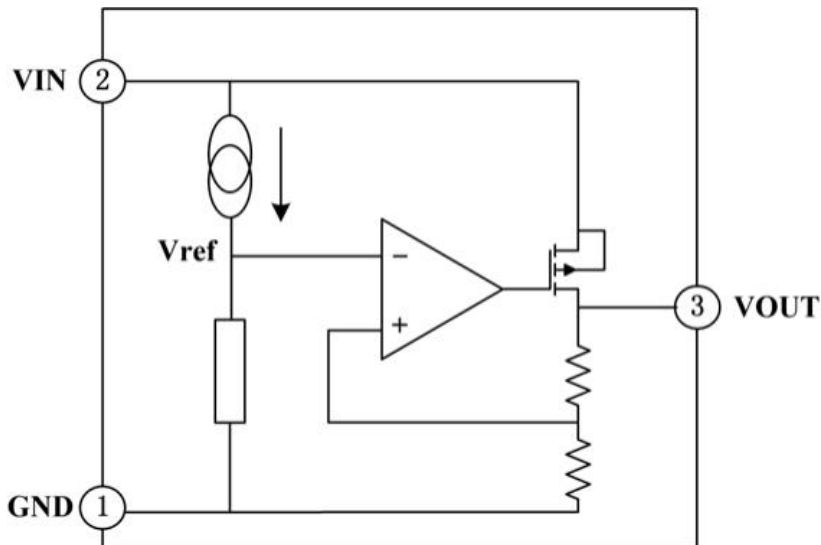
## PIN DESCRIPTION

PIN No.	Name	Functions Description
SOT-23-L		
3	GND	ground
2	V <sub>IN</sub>	input
1	V <sub>OUT</sub>	output

**PRODUCT NAMING**



**FUNCTIONAL BLOCK DIAGRAM**



**ABSOLUTE MAXIMUM RATINGS**

Description	Symbol	Value range	Unit
Limit Power Voltage	$V_{IN}$	-0.3 ~ +22	V
Storage Temperature Range	$T_{STG}$	-50 ~ +125	°C
Operating Free-air Temperature Range	$T_A$	-40 ~ +85	°C

**Note:** Stresses greater than those listed under “Absolute Maximum Ratings” may cause permanent damage to the device. These are stress ratings only, and functional operation of the device at these or any other conditions beyond those indicated under “Recommended Operating Conditions” is not implied. Exposure to “Absolute Maximum Ratings” for extended periods may affect device reliability.

## HEAT DISSIPATION

Description	Symbol	Package	Value range	Unit
Thermal resistance	$\theta_{JA}$	SOT-23	500	$^{\circ}\text{C}/\text{W}$
Power dissipation	PW	SOT-23	200	mW

## DC CHARACTERISTICS (unless otherwise noted $T_A = +25^{\circ}\text{C}$ )

( $V_{IN} = V_{OUT} + 2.0\text{V}$ ,  $C_{IN} = C_L = 10\mu\text{F}$ ,  $T_a = 25^{\circ}\text{C}$ , unless otherwise noted)

### Series +3.0V OUTPUT

Parameter	Symbol	Test Condition	Min	Typ	Max	Unit
Output Voltage	$V_{OUT}$	$V_{IN} = V_{OUT} + 2.0\text{V}$ , $I_{OUT} = 10\text{mA}$	2.94	3.0	3.06	V
Output Current	$I_{OUT}$	$V_{IN} = V_{OUT} + 2.0\text{V}$	70	100	—	mA
Load Regulation	$\Delta V_{OUT}$	$V_{IN} = V_{OUT} + 2.0\text{V}$ $1\text{mA} \leq I_{OUT} \leq 50\text{mA}$	—	25	60	mV
Voltage Drop	$V_{DIF}$	$I_{OUT} = 1\text{mA}$ , $\Delta V_{OUT} = 2\%$	—	30	100	mV
Quiescent Current	$I_{SS}$	—	—	2.0	3.0	$\mu\text{A}$
Line Regulation	$\frac{\Delta V_{OUT}}{V_{OUT}} / \Delta V_{IN}$	$V_{OUT} + 1.0\text{V} \leq V_{IN} \leq 20\text{V}$ , $I_{OUT} = 1\text{mA}$	—	—	0.2	%/V
Input Voltage	$V_{IN}$	—	—	—	24	V
Temperature Coefficient	$\frac{\Delta V_{OUT}}{\Delta T_A} \cdot V_{OUT}$	$V_{IN} = V_{OUT} + 2.0\text{V}$ , $I_{OUT} = 10\text{mA}$ , $-40^{\circ}\text{C} \leq T_A \leq 85^{\circ}\text{C}$	—	$\pm 100$	—	ppm/ $^{\circ}\text{C}$

**Note :** When  $V_{IN} = V_{OUT} + 2.0\text{V}$ , as the output voltage declined 2%, the  $V_{DIF} = V_{IN} - V_{OUT}$ .

### Series +3.3V OUTPUT

Parameter	Symbol	Test Condition	Min	Typ	Max	Unit
Output Voltage	$V_{OUT}$	$V_{IN} = V_{OUT} + 2.0\text{V}$ , $I_{OUT} = 10\text{mA}$	3.23	3.3	3.36	V
Output Current	$I_{OUT}$	$V_{IN} = V_{OUT} + 2.0\text{V}$	70	100	—	mA
Load Regulation	$\Delta V_{OUT}$	$V_{IN} = V_{OUT} + 2.0\text{V}$ $1\text{mA} \leq I_{OUT} \leq 50\text{mA}$	—	25	60	mV
Voltage Drop	$V_{DIF}$	$I_{OUT} = 1\text{mA}$ , $\Delta V_{OUT} = 2\%$	—	25	55	mV
Quiescent Current	$I_{SS}$	—	—	2.0	3.0	$\mu\text{A}$
Line Regulation	$\frac{\Delta V_{OUT}}{V_{OUT}} / \Delta V_{IN}$	$V_{OUT} + 1.0\text{V} \leq V_{IN} \leq 20\text{V}$ , $I_{OUT} = 1\text{mA}$	—	—	0.2	%/V
Input Voltage	$V_{IN}$	—	—	—	24	V
Temperature Coefficient	$\frac{\Delta V_{OUT}}{\Delta T_A} \cdot V_{OUT}$	$V_{IN} = V_{OUT} + 2.0\text{V}$ , $I_{OUT} = 10\text{mA}$ , $-40^{\circ}\text{C} \leq T_A \leq 85^{\circ}\text{C}$	—	$\pm 100$	—	ppm/ $^{\circ}\text{C}$

**Note :** When  $V_{IN} = V_{OUT} + 2.0\text{V}$ , as the output voltage declined 2%, the  $V_{DIF} = V_{IN} - V_{OUT}$ .

**Series +3.6V OUTPUT**

Parameter	Symbol	Test Condition	Min	Typ	Max	Unit
Output Voltage	$V_{OUT}$	$V_{IN}=V_{OUT}+2.0V, I_{OUT}=10mA$	3.52	3.6	3.67	V
Output Current	$I_{OUT}$	$V_{IN}=V_{OUT}+2.0V$	70	100	—	mA
Load Regulation	$\Delta V_{OUT}$	$V_{IN}=V_{OUT}+2.0V$ $1mA \leq I_{OUT} \leq 50mA$	—	25	60	mV
Voltage Drop	$V_{DIF}$	$I_{OUT}=1mA, \Delta V_{OUT}=2\%$	—	25	55	mV
Quiescent Current	$I_{SS}$	—	—	2.0	3.0	$\mu A$
Line Regulation	$\frac{\Delta V_{OUT}}{V_{OUT}} * \Delta V_{IN}$	$V_{OUT}+1.0V \leq V_{IN} \leq 20V,$ $I_{OUT}=1mA$	—	—	0.2	%/V
Input Voltage	$V_{IN}$	—	—	—	24	V
Temperature Coefficient	$\frac{\Delta V_{OUT}}{\Delta T_A} * V_{OUT}$	$V_{IN}=V_{OUT}+2.0V, I_{OUT}=10mA,$ $-40^\circ C \leq T_A \leq 85^\circ C$	—	$\pm 100$	—	ppm/ $^\circ C$

**Note :** When  $V_{IN}=V_{OUT}+2.0V$ , as the output voltage declined 2%, the  $V_{DIF}=V_{IN}-V_{OUT}$ .

**Series +5.0V OUTPUT**

Parameter	Symbol	Test Condition	Min	Typ	Max	Unit
Output Voltage	$V_{OUT}$	$V_{IN}=V_{OUT}+2.0V, I_{OUT}=10mA$	4.9	5.0	5.1	V
Output Current	$I_{OUT}$	$V_{IN}=V_{OUT}+2.0V$	100	150	—	mA
Load Regulation	$\Delta V_{OUT}$	$V_{IN}=V_{OUT}+2.0V$ $1mA \leq I_{OUT} \leq 70mA$	—	25	60	mV
Voltage Drop	$V_{DIF}$	$I_{OUT}=1mA, \Delta V_{OUT}=2\%$	—	25	55	mV
Quiescent Current	$I_{SS}$	—	—	2.0	3.0	$\mu A$
Line Regulation	$\frac{\Delta V_{OUT}}{V_{OUT}} * \Delta V_{IN}$	$V_{OUT}+1.0V \leq V_{IN} \leq 12V,$ $I_{OUT}=1mA$	—	—	0.2	%/V
Input Voltage	$V_{IN}$	—	—	—	24	V
Temperature Coefficient	$\frac{\Delta V_{OUT}}{\Delta T_A} * V_{OUT}$	$V_{IN}=V_{OUT}+2.0V, I_{OUT}=10mA,$ $-40^\circ C \leq T_A \leq 85^\circ C$	—	$\pm 100$	—	ppm/ $^\circ C$

**Note :** When  $V_{IN}=V_{OUT}+2.0V$ , as the output voltage declined 2%, the  $V_{DIF}=V_{IN}-V_{OUT}$ .

## FUNCTIONAL DESCRIPTION

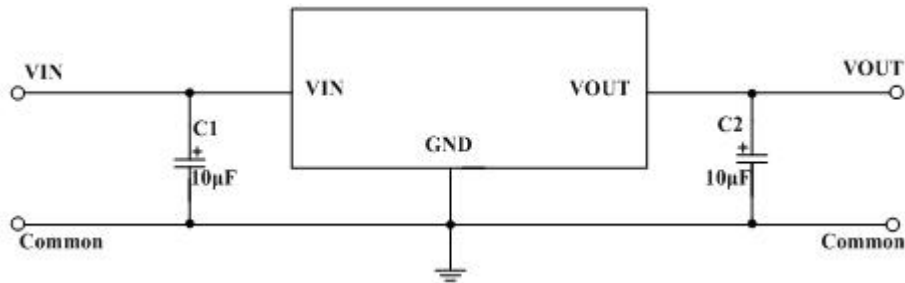
XC6202PXXXMR-MS series are linear voltage regulator ICs withstanding 20V voltage. The series IC consists of a voltage reference, an error amplifier, a current limiter and a phase compensation circuit plus a driver transistor. The output stabilization capacitor is also compatible with low ESR ceramic capacitors.

The over current protection circuit and the over voltage protection circuit are built-in. The protection circuit will operate when the output current or input voltage reaches limit level.

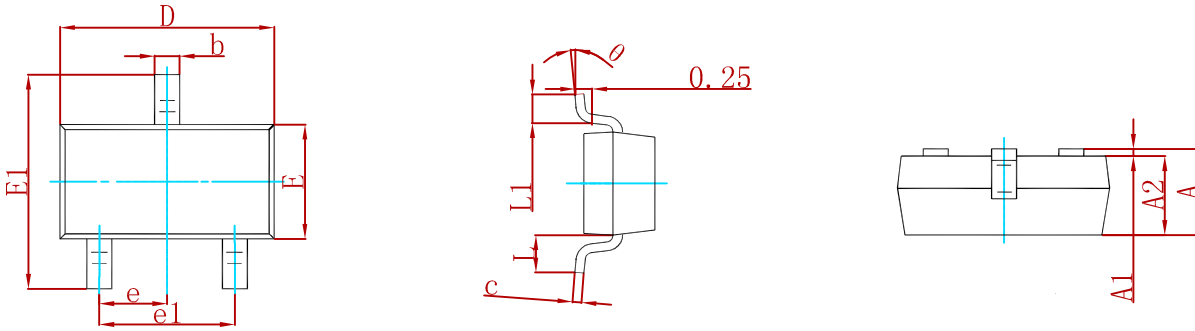
---

## TYPICAL APPLICATION CIRCUIT

### Basic Circuit

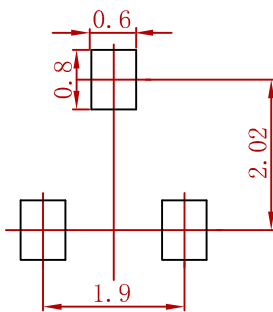


**PACKAGE MECHANICAL DATA**



Symbol	Dimensions In Millimeters		Dimensions In Inches	
	Min	Max	Min	Max
A	0.900	1.150	0.035	0.045
A1	0.000	0.100	0.000	0.004
A2	0.900	1.050	0.035	0.041
b	0.300	0.500	0.012	0.020
c	0.080	0.150	0.003	0.006
D	2.800	3.000	0.110	0.118
E	1.200	1.400	0.047	0.055
E1	2.250	2.550	0.089	0.100
e	0.950 TYP		0.037 TYP	
e1	1.800	2.000	0.071	0.079
L	0.550 REF		0.022 REF	
L1	0.300	0.500	0.012	0.020
θ	0°	8°	0°	8°

**Suggested Pad Layout**



- Note:
1. Controlling dimension: in millimeters.
  2. General tolerance:  $\pm 0.05\text{mm}$ .
  3. The pad layout is for reference purposes only.

## Attention

- Any and all MSKSEMI Semiconductor products described or contained herein do not have specifications that can handle applications that require extremely high levels of reliability, such as life-support systems, aircraft's control systems, or other applications whose failure can be reasonably expected to result in serious physical and/or material damage. Consult with your MSKSEMI Semiconductor representative nearest you before using any MSKSEMI Semiconductor products described or contained herein in such applications.
- MSKSEMI Semiconductor assumes no responsibility for equipment failures that result from using products at values that exceed, even momentarily, rated values (such as maximum ratings, operating condition ranges, or other parameters) listed in products specifications of any and all MSKSEMI Semiconductor products described or contained herein.
- Specifications of any and all MSKSEMI Semiconductor products described or contained herein stipulate the performance, characteristics, and functions of the described products in the independent state, and are not guarantees of the performance, characteristics, and functions of the described products as mounted in the customer's products or equipment. To verify symptoms and states that cannot be evaluated in an independent device, the customer should always evaluate and test devices mounted in the customer's products or equipment.
- MSKSEMI Semiconductor strives to supply high-quality high-reliability products. However, any and all semiconductor products fail with some probability. It is possible that these probabilistic failures could give rise to accidents or events that could endanger human lives, that could give rise to smoke or fire, or that could cause damage to other property. When designing equipment, adopt safety measures so that these kinds of accidents or events cannot occur. Such measures include but are not limited to protective circuits and error prevention circuits for safe design, redundant design, and structural design.
- In the event that any or all MSKSEMI Semiconductor products (including technical data, services) described or contained herein are controlled under any of applicable local export control laws and regulations, such products must not be exported without obtaining the export license from the authorities concerned in accordance with the above law.
- No part of this publication may be reproduced or transmitted in any form or by any means, electronic or mechanical, including photocopying and recording, or any information storage or retrieval system, or otherwise, without the prior written permission of MSKSEMI Semiconductor.
- Information (including circuit diagrams and circuit parameters) herein is for example only ; it is not guaranteed for volume production. MSKSEMI Semiconductor believes information herein is accurate and reliable, but no guarantees are made or implied regarding its use or any infringements of intellectual property rights or other rights of third parties.
- Any and all information described or contained herein are subject to change without notice due to product/technology improvement, etc. When designing equipment, refer to the "Delivery Specification" for the MSKSEMI Semiconductor product that you intend to use.



## X-ON Electronics

Largest Supplier of Electrical and Electronic Components

*Click to view similar products for [Linear Voltage Regulators](#) category:*

*Click to view products by [MSKSEMI](#) manufacturer:*

Other Similar products are found below :

[LV5684PVD-XH](#) [MCDTSA6-2R](#) [L7815ACV-DG](#) [714954EB](#) [ZMR500QFTA](#) [BA033LBSG2-TR](#) [LV5680P-E](#) [L79M05T-E](#) [L78LR05D-MA-E](#) [NCV317MBTG](#) [NTE7227](#) [MP2018GZD-33-P](#) [MP2018GZD-5-P](#) [LV5680NPVC-XH](#) [LT1054CN8](#) [UA78L09CLP](#) [UA78L09CLPR](#) [CAT6221-PPTD-GT3](#) [MC78M09CDTRK](#) [NCV51190MNTAG](#) [78M05](#) [HT7150-1](#) [UM1540DB-18](#) [XC6234H281VR-G](#) [WL2834CA-6/TR](#) [TPL730F33-5TR](#) [TLS850F1TA](#) [V50](#) [TPS549B22RVFR](#) [UM1540DB-33](#) [WL9200P3-50B](#) [WL9100P3-33B](#) [WL9005D4-33](#) [XC6219B152MR](#) [WL2855K33-3/TR](#) [PJ54BM33SE](#) [PJ9500M25SA](#) [MD7218E33PC1](#) [H7533-2PR](#) [SK7812AU](#) [SD1A30](#) [78L33](#) [TP78L33T3](#) [L78L33ACUTR](#) [SK6513ST3A-50](#) [SK6054D4-09](#) [SK6054D4-18](#) [SK6054D4-11](#) [SK6054D4-10](#) [LM79L12F](#) [HLP2985AIM5X-5.0](#)