



PRODUCT CATALOGUE

2022



Ref. 9951220



According to the copyright and the civil law, the reproduction of this catalogue, or any part of this one, by electronic, mechanical methods, by means of photocopies, microfilms, recordings or other, is peremptorily forbidden. Rights are reserved for all countries.

Drawings, specifications and reference numbers may be modified and changed. MTA S.p.A. reserves itself the right, to make changes for technical or quality improvements, without any notice.

The products in this catalogue are intended for industrial and professional use and must be installed and operated by qualified personnel.

The buyer is obliged to inform the end user of the risks associated with the misuse of the products (e.g. electric shock, explosion, etc.).

The seller shall be held exempt from any use that is improper and/or arising also and not only from omitted and/or insufficient information relating to the above products and their use.



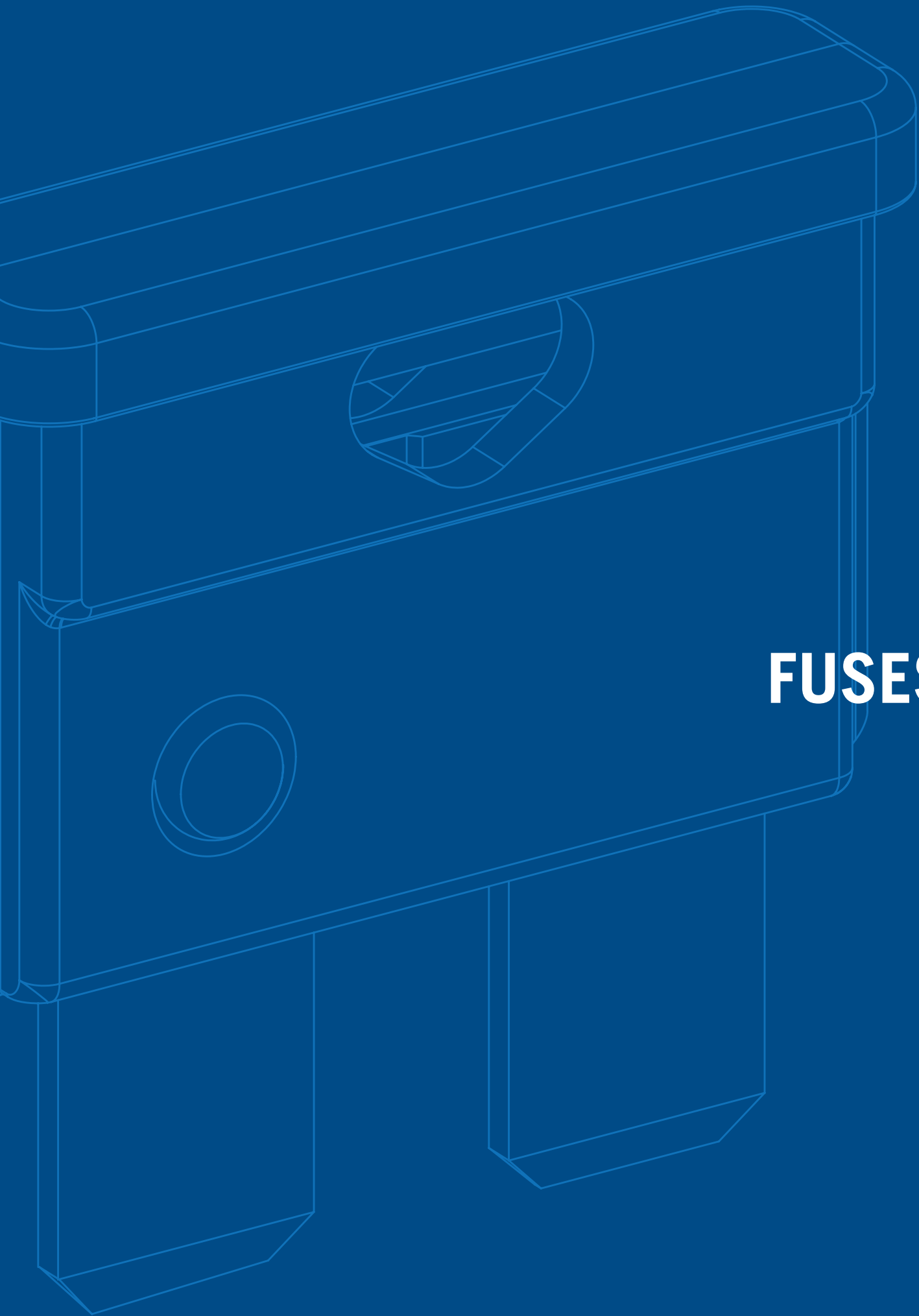
To know MTA agents and distributors in the world
please go to www.mta.it/en/sales-organization



INDEX

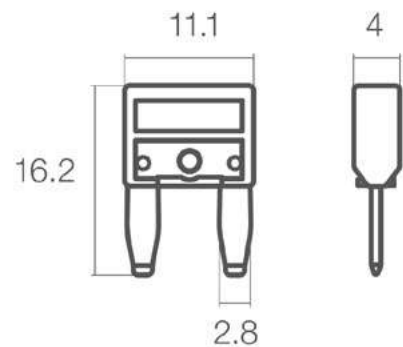
FUSES	3
POWER DISTRIBUTION UNITS	18
MAIN DISTRIBUTION UNITS	34
FUSE/RELAY HOLDERS	59
ADAPTERS & FIXING PLATES	83
CONNECTORS	88
BATTERY TERMINALS	110
TERMINALS	119
INSULATED TERMINALS	155
RADIATOR/OIL/GASOLINE CAPS & SENSORS	164
CABLES	170
SUNDRIES	175
LIST OF ALL ITEMS	186





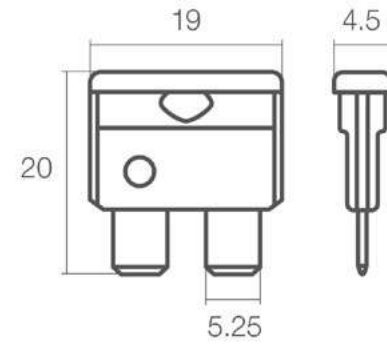
FUSES

MINIVAL®



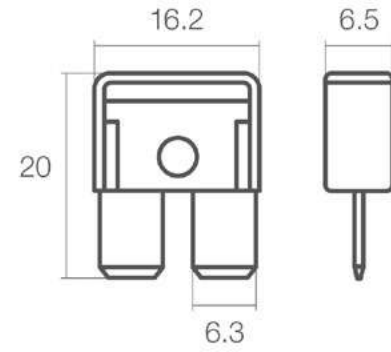
AMP	DESCRIPTION	COLOUR	BLADE MATERIAL AND COATING	P/N BLISTER	INNER BOX PCS	MOQ	P/N BOX	MOQ	P/N BULK	MOQ
2A	MINIVAL	Grey	TIN PLATED ZINC ALLOY	0600090	25	500	0700090	200	0705090	5000
3A	MINIVAL	Violet	TIN PLATED ZINC ALLOY	0600100	25	500	0700100	200	0705100	5000
4A	MINIVAL	Pink	TIN PLATED ZINC ALLOY	0600101	25	500	0700101	200	0705101	5000
5A	MINIVAL	Light brown	TIN PLATED ZINC ALLOY	0600110	25	500	0700110	200	0705110	5000
7,5A	MINIVAL	Brown	TIN PLATED ZINC ALLOY	0600120	25	500	0700120	200	0705120	5000
10A	MINIVAL	Red	TIN PLATED ZINC ALLOY	0600130	25	500	0700130	200	0705130	5000
15A	MINIVAL	Blue	TIN PLATED ZINC ALLOY	0600140	25	500	0700140	200	0705140	5000
20A	MINIVAL	Yellow	TIN PLATED ZINC ALLOY	0600150	25	500	0700150	200	0705150	5000
25A	MINIVAL	Natural	TIN PLATED ZINC ALLOY	0600160	25	500	0700160	200	0705160	5000
30A	MINIVAL	Green	TIN PLATED ZINC ALLOY	0600170	25	500	0700170	200	0705170	5000

UNIVAL®



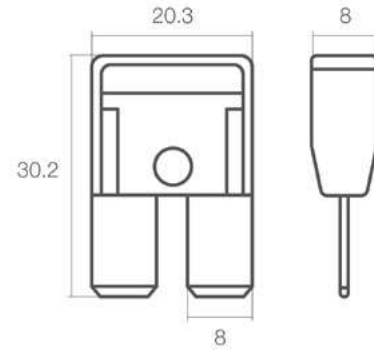
AMP	DESCRIPTION	COLOUR	BLADE MATERIAL AND COATING	P/N BOX	INNER BOX PCS	MOQ	P/N BULK	MOQ	P/N BULK	MOQ
1A	UNIVAL	■ Black	ZINC ALLOY	0600380		100	0700380	2000		
2A	UNIVAL	■ Grey	ZINC ALLOY	0600390		100	0700390	2000		
3A	UNIVAL	■ Violet	ZINC ALLOY	0600400	100	1200	0700300	2000	0710300	6000
4A	UNIVAL	■ Pink	ZINC ALLOY	0600401		100	0700301	2000		
5A	UNIVAL	■ Light brown	ZINC ALLOY	0600410	100	1200	0700310	2000	0710310	6000
7,5A	UNIVAL	■ Brown	ZINC ALLOY	0600420	100	1200	0700320	2000	0710320	6000
10A	UNIVAL	■ Red	ZINC ALLOY	0600430	100	1200	0700330	2000	0710330	6000
15A	UNIVAL	■ Blue	ZINC ALLOY	0600440	100	1200	0700340	2000	0710340	6000
20A	UNIVAL	■ Yellow	ZINC ALLOY	0600450	100	1200	0700350	2000	0710350	6000
25A	UNIVAL	□ Natural	ZINC ALLOY	0600460	100	1200	0700360	2000	0710360	6000
30A	UNIVAL	■ Green	ZINC ALLOY	0600470	100	1200	0700370	2000	0710370	6000
40A	UNIVAL	■ Orange	ZINC ALLOY	0600375	100	1200	0700375	2000	0710375	6000

MAXICOMPACT®



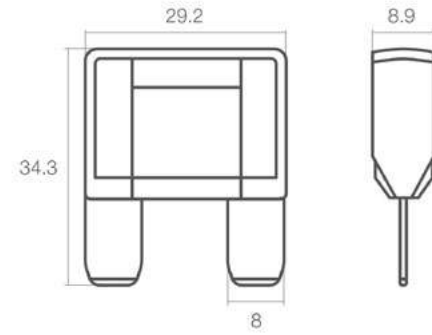
AMP	DESCRIPTION	COLOUR	BLADE MATERIAL AND COATING	P/N BOX	MOQ	P/N BULK	MOQ
20A	MAXICOMPACT	Yellow	TIN PLATED ZINC ALLOY	0602920	100	0702920	2000
25A	MAXICOMPACT	White	TIN PLATED ZINC ALLOY	0602925	100	0702925	2000
30A	MAXICOMPACT	Light green	TIN PLATED ZINC ALLOY	0602930	100	0702930	2000
35A	MAXICOMPACT	Dark green	TIN PLATED ZINC ALLOY	0602935	100	0702935	2000
40A	MAXICOMPACT	Orange	TIN PLATED ZINC ALLOY	0602940	100	0702940	2000
50A	MAXICOMPACT	Red	TIN PLATED ZINC ALLOY	0602950	100	0702950	2000
60A	MAXICOMPACT	Blue	TIN PLATED ZINC ALLOY	0602960	100	0702960	2000
25A	MAXICOMPACT CU	White	SILVER PLATED COPPER			0702825	1700
30A	MAXICOMPACT CU	Light green	SILVER PLATED COPPER			0702830	1700
35A	MAXICOMPACT CU	Dark green	SILVER PLATED COPPER			0702835	1700
40A	MAXICOMPACT CU	Orange	SILVER PLATED COPPER			0702840	1700
50A	MAXICOMPACT CU	Red	SILVER PLATED COPPER			0702850	1700
60A	MAXICOMPACT CU	Blue	SILVER PLATED COPPER			0702860	1700

M8COMPACT®



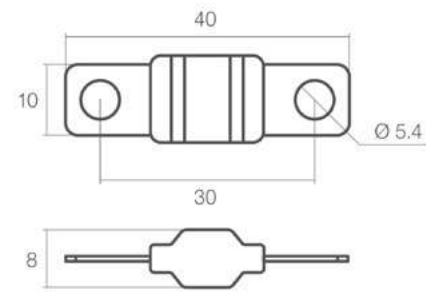
AMP	DESCRIPTION	COLOUR	BLADE MATERIAL AND COATING	P/N BOX	MOQ	P/N BULK	MOQ
30A	M8COMPACT	Light green	TIN PLATED ZINC ALLOY	0610030	150	0710030	1000
35A	M8COMPACT	Dark green	TIN PLATED ZINC ALLOY	0610035	150	0710035	1000
40A	M8COMPACT	Orange	TIN PLATED ZINC ALLOY	0610040	150	0710040	1000
50A	M8COMPACT	Red	TIN PLATED ZINC ALLOY	0610050	150	0710050	1000
60A	M8COMPACT	Blue	TIN PLATED ZINC ALLOY	0610060	150	0710060	1000
70A	M8COMPACT	Brown	TIN PLATED ZINC ALLOY	0610070	150	0710070	1000
80A	M8COMPACT	Black	TIN PLATED ZINC ALLOY	0610080	150	0710080	1000
30A	M8COMPACT CU	Light green	SILVER PLATED COPPER			0710130	700
35A	M8COMPACT CU	Dark green	SILVER PLATED COPPER			0710135	700
40A	M8COMPACT CU	Orange	SILVER PLATED COPPER			0710140	700
50A	M8COMPACT CU	Red	SILVER PLATED COPPER			0710150	700
60A	M8COMPACT CU	Blue	SILVER PLATED COPPER			0710160	700
70A	M8COMPACT CU	Brown	SILVER PLATED COPPER			0710170	700
80A	M8COMPACT CU	Black	SILVER PLATED COPPER			0710180	700
100A	M8COMPACT CU	Violet	SILVER PLATED COPPER			0710100	700

MAXIVAL®



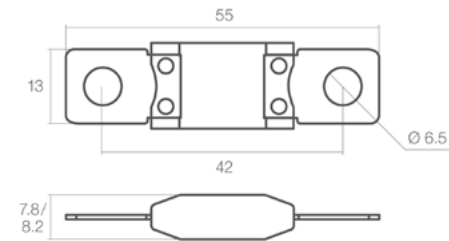
AMP	DESCRIPTION	COLOUR	BLADE MATERIAL AND COATING	P/N BOX	INNER BOX PCS	MOQ	P/N BULK	MOQ
20A	MAXIVAL	Yellow	TIN PLATED ZINC ALLOY	0600900	10	240	0700900	1000
30A	MAXIVAL	Green	TIN PLATED ZINC ALLOY	0600910	10	240	0700910	1000
40A	MAXIVAL	Orange	TIN PLATED ZINC ALLOY	0600920	10	240	0700920	1000
50A	MAXIVAL	Red	TIN PLATED ZINC ALLOY	0600930	10	240	0700930	1000
60A	MAXIVAL	Blue	TIN PLATED ZINC ALLOY	0600940	10	240	0700940	1000
70A	MAXIVAL	Light brown	TIN PLATED ZINC ALLOY	0600950	10	240	0700950	1000
80A	MAXIVAL	Natural	TIN PLATED ZINC ALLOY	0600960	10	240	0700960	1000
100A	MAXIVAL	Violet	TIN PLATED ZINC ALLOY	0600970	10	240	0700970	1000

MIDIVAL®



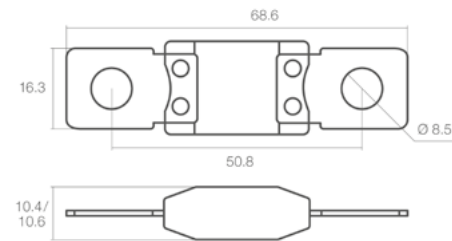
AMP	DESCRIPTION	COLOUR	BLADE MATERIAL AND COATING	P/N BLISTER	INNER BOX PCS	MOQ	P/N BULK	MOQ
30A	MIDIVAL	Orange	TIN PLATED ZINC ALLOY	0602030	1	20	0702030	1000
40A	MIDIVAL	Green	TIN PLATED ZINC ALLOY	0602040	1	20	0702040	1000
50A	MIDIVAL	Red	TIN PLATED ZINC ALLOY	0602050	1	20	0702050	1000
60A	MIDIVAL	Yellow	TIN PLATED ZINC ALLOY	0602060	1	20	0702060	1000
70A	MIDIVAL	Brown	TIN PLATED ZINC ALLOY	0602070	1	20	0702070	1000
80A	MIDIVAL	White	TIN PLATED ZINC ALLOY	0602080	1	20	0702080	1000
100A	MIDIVAL	Blue	TIN PLATED ZINC ALLOY	0602100	1	20	0702100	1000
125A	MIDIVAL	Pink	TIN PLATED ZINC ALLOY	0602125	1	20	0702125	1000
30A	MIDIVAL CU	Orange	TIN PLATED COPPER				0708030	1500
40A	MIDIVAL CU	Green	TIN PLATED COPPER				0708040	1500
50A	MIDIVAL CU	Red	TIN PLATED COPPER				0708050	1500
60A	MIDIVAL CU	Yellow	TIN PLATED COPPER				0708060	1500
70A	MIDIVAL CU	Brown	TIN PLATED COPPER				0708070	1500
80A	MIDIVAL CU	White	TIN PLATED COPPER				0708080	1500
100A	MIDIVAL CU	Blue	TIN PLATED COPPER				0708100	1500
125A	MIDIVAL CU	Pink	TIN PLATED COPPER				0708125	1500
150A	MIDIVAL CU	Grey	TIN PLATED COPPER				0708150	1500
175A	MIDIVAL CU	Light brown	TIN PLATED COPPER				0708175	1500
200A	MIDIVAL CU	Violet	TIN PLATED COPPER				0708200	1500

MEGACOMPACT®



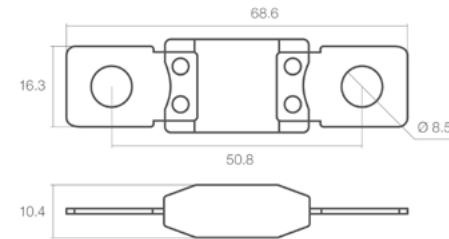
AMP	DESCRIPTION	COLOUR	BLADE MATERIAL AND COATING	P/N BOX	MOQ	P/N BULK	MOQ
80A	MEGACOMPACT	Red	TIN PLATED COPPER	0615080	20	0715080	700
100A	MEGACOMPACT	Yellow	TIN PLATED COPPER	0615100	20	0715100	700
125A	MEGACOMPACT	Green	TIN PLATED COPPER	0615125	20	0715125	700
150A	MEGACOMPACT	Orange	TIN PLATED COPPER	0615150	20	0715150	700
175A	MEGACOMPACT	White	TIN PLATED COPPER	0615175	20	0715175	700
200A	MEGACOMPACT	Blue	TIN PLATED COPPER	0615200	20	0715200	700
225A	MEGACOMPACT	Light brown	TIN PLATED COPPER	0615225	20	0715225	700
250A	MEGACOMPACT	Pink	TIN PLATED COPPER	0615250	20	0715250	700
300A	MEGACOMPACT	Grey	TIN PLATED COPPER	0615300	20	0715300	700
CAL5	MEGACOMPACT	Black	TIN PLATED COPPER	0615500	20	0715500	700

MEGAVAL®



AMP	DESCRIPTION	COLOUR	BLADE MATERIAL AND COATING	P/N BLISTER	INNER BOX PCS	MOQ	P/N BULK	MOQ
100A	MEGAVAL	Yellow	TIN PLATED ZIC ALLOY	0601100	1	20	0701100	700
125A	MEGAVAL	Green	TIN PLATED ZIC ALLOY	0601125	1	20	0701125	700
150A	MEGAVAL	Orange	TIN PLATED ZIC ALLOY	0601150	1	20	0701150	700
175A	MEGAVAL	White	TIN PLATED ZIC ALLOY	0601175	1	20	0701175	700
200A	MEGAVAL	Blue	TIN PLATED ZIC ALLOY	0601200	1	20	0701200	700
225A	MEGAVAL	Light brown	TIN PLATED ZIC ALLOY	0601225	1	20	0701225	700
250A	MEGAVAL	Pink	TIN PLATED ZIC ALLOY	0601250	1	20	0701250	700
100A	MEGAVAL CU	Yellow	TIN PLATED COPPER				0711100	350
125A	MEGAVAL CU	Green	TIN PLATED COPPER				0711125	350
150A	MEGAVAL CU	Orange	TIN PLATED COPPER				0711150	350
175A	MEGAVAL CU	White	TIN PLATED COPPER				0711175	350
200A	MEGAVAL CU	Blue	TIN PLATED COPPER				0711200	350
225A	MEGAVAL CU	Light brown	TIN PLATED COPPER				0711225	350
250A	MEGAVAL CU	Pink	TIN PLATED COPPER				0711250	350
300A	MEGAVAL CU	Grey	TIN PLATED COPPER	0601300	1	20	0701300	700
400A	MEGAVAL CU	Violet	TIN PLATED COPPER	0601401	1	20	0701401	700
500A	MEGAVAL CU	Brown	TIN PLATED COPPER	0601600	1	20	0701600	700

POWERVAL®



AMP	DESCRIPTION	COLOUR	BLADE MATERIAL AND COATING	P/N BLISTER	INNER BOX PCS	MOQ	P/N BULK	MOQ
CAL.1	POWERVAL	Grey	TIN PLATED ZIC ALLOY	0601350	1	20	0701350	700
CAL.2	POWERVAL	Black	TIN PLATED ZIC ALLOY	0601400	1	20	0701400	700
CAL.3	POWERVAL	Red	TIN PLATED COPPER	0601450	1	20	0701450	700
CAL.4	POWERVAL	Brown	TIN PLATED COPPER	0601500	1	20	0701500	700
CAL.5	POWERVAL	Wheat grey	TIN PLATED COPPER	0601700		1	0701700	700

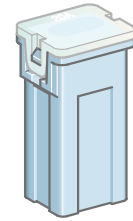
JAPVAL®



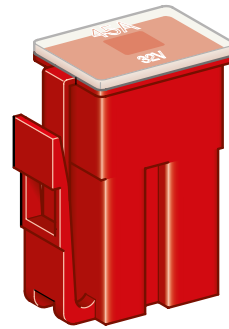
1



2



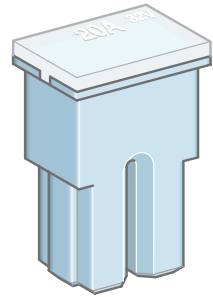
3



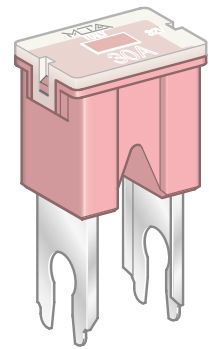
4

IMG	AMP	DESCRIPTION	COLOUR	P/N BLISTER	INNER BOX PCS	MOQ
1	15A	MICRO FEMALE 10	Grey	0404015	1	20
	20A	MICRO FEMALE 10	Azure	0404020	1	20
	25A	MICRO FEMALE 10	White	0404025	1	20
	30A	MICRO FEMALE 10	Pink	0404030	1	20
	40A	MICRO FEMALE 10	Green	0404040	1	20
2	20A	MICRO FEMALE 14	Azure	0424020	1	20
	25A	MICRO FEMALE 14	White	0424025	1	20
	30A	MICRO FEMALE 14	Pink	0424030	1	20
	40A	MICRO FEMALE 14	Green	0424040	1	20
	50A	MICRO FEMALE 14	Red	0424050	1	20
	60A	MICRO FEMALE 14	Yellow	0424060	1	20
3	20A	MINI FEMALE 14	Azure	0474020	1	20
	30A	MINI FEMALE 14	Pink	0474030	1	20
	40A	MINI FEMALE 14	Green	0474040	1	20
	50A	MINI FEMALE 14	Red	0474050	1	20
	60A	MINI FEMALE 14	Yellow	0474060	1	20
	70A	MINI FEMALE 14	Brown	0474070	1	20
4	80A	MINI FEMALE 14	Black	0474080	1	20
	45A	CLIP	Red	0477045	1	20
	65A	CLIP	Black	0477065	1	20
	75A	CLIP	Grey	0477075	1	20

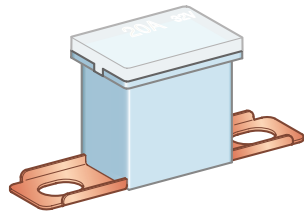
JAPVAL®



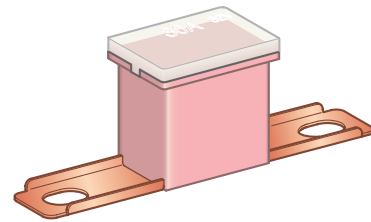
1



2



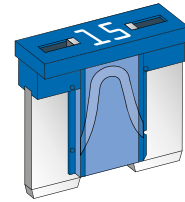
3



4

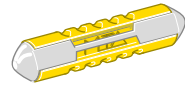
IMG	AMP	DESCRIPTION	COLOUR	P/N BLISTER	INNER BOX PCS	MOQ	
1	20A	FEMALE	Azure	0470020	1	20	
	30A	FEMALE	Pink	0470030	1	20	
	40A	FEMALE	Green	0470040	1	20	
	50A	FEMALE	Red	0470050	1	20	
	60A	FEMALE	Yellow	0470060	1	20	
	80A	FEMALE	Black	0470080	1	20	
	100A	FEMALE	Blue	0470100	1	20	
	2	30A	MALE	Pink	0471030	1	20
		40A	MALE	Green	0471040	1	20
		50A	MALE	Red	0471050	1	20
60A		MALE	Yellow	0471060	1	20	
80A		MALE	Black	0471080	1	20	
100A		MALE	Blue	0471100	1	20	
3		20A	MALE 48	Azure	0475020	1	20
	30A	MALE 48	Pink	0475030	1	20	
	40A	MALE 48	Green	0475040	1	20	
	50A	MALE 48	Red	0475050	1	20	
	60A	MALE 48	Yellow	0475060	1	20	
	70A	MALE 48	Brown	0475070	1	20	
	80A	MALE 48	Black	0475080	1	20	
	100A	MALE 48	Blue	0475100	1	20	
	4	30A	MALE 62	Pink	0472030	1	20
		40A	MALE 62	Green	0472040	1	20
50A		MALE 62	Red	0472050	1	20	
60A		MALE 62	Yellow	0472060	1	20	
80A		MALE 62	Black	0472080	1	20	
100A		MALE 62	Blue	0472100	1	20	

MINI LOW PROFILE



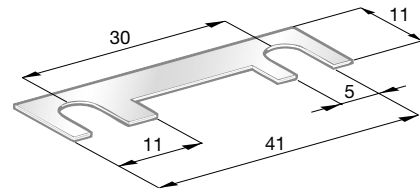
AMP	DESCRIPTION	COLOUR	P/N BOX	MOQ
2A	MINI LOW PROFILE	Grey	0700210	200
3A	MINI LOW PROFILE	Violet	0700220	200
4A	MINI LOW PROFILE	Pink	0700230	200
5A	MINI LOW PROFILE	Light brown	0700240	200
7,5A	MINI LOW PROFILE	Brown	0700250	200
10A	MINI LOW PROFILE	Red	0700260	200
15A	MINI LOW PROFILE	Blue	0700270	200
20A	MINI LOW PROFILE	Yellow	0700280	200
25A	MINI LOW PROFILE	Natural	0700290	200
30A	MINI LOW PROFILE	Green	0700302	200

CONTINENTAL



AMP	DESCRIPTION	COLOUR	P/N BOX	MOQ
5A	FIAT 9.91806	Yellow	0200140	100
8A	FIAT 9.91806	Black	0200150	100
16A	FIAT 9.91806	Green	0200170	100
25A	FIAT 9.91806	Brown	0200180	100
5A	DIN 72581	Yellow	0200140	100
8A	DIN 72581	White	0200151	100
16A	DIN 72581	Red	0200171	100
25A	DIN 72581	Blue	0200181	100

STRIP

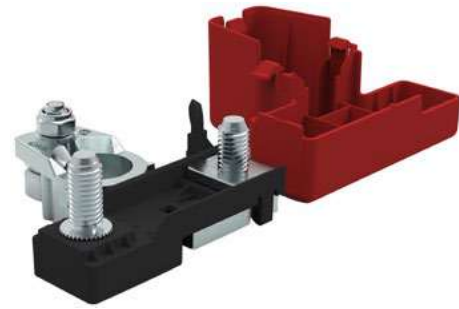


AMP	DESCRIPTION	P/N BOX	MOQ
30A	STRIP FUSE	0200296	100
40A	STRIP FUSE	0200300	100
50A	STRIP FUSE	0200297	100
60A	STRIP FUSE	0200301	100
80A	STRIP FUSE	0200298	100
100A	STRIP FUSE	0200299	100

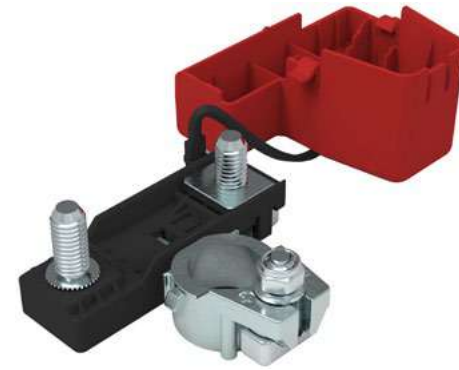
A technical line drawing of a power distribution unit (PDU) assembly, shown in an isometric perspective. The drawing is rendered in white lines on a dark blue background. It features a main horizontal chassis with several vertical slots containing components. On the left side, there are two large circular terminals. The top part of the assembly includes a separate component with a circular feature, possibly a cover or a connector. The overall design is complex and industrial.

POWER DISTRIBUTION UNITS

BDU

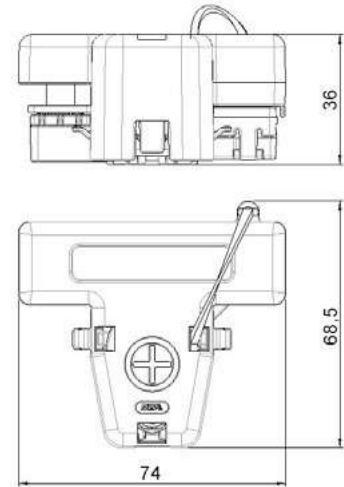
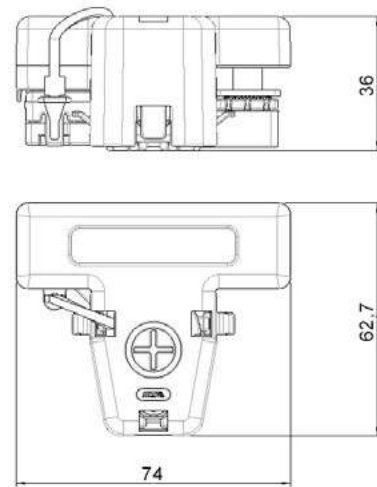


1

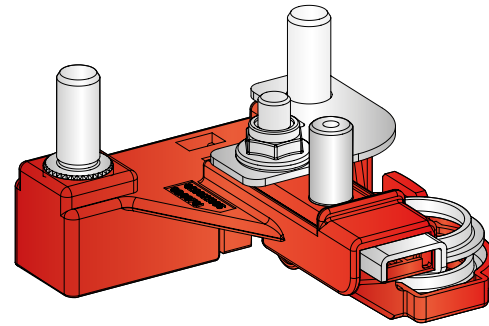


2

IMG	DESCRIPTION	P/N BULK	MOQ
1	PRE-MOUNTED HOUSING FOR 1 POWER/MEGAVAL WITH DIE CASTED BATTERY TERMINAL RIGHT	0301229	48
2	PRE-MOUNTED HOUSING FOR 1 POWER/MEGAVAL WITH DIE CASTED BATTERY TERMINAL LEFT	0301230	48

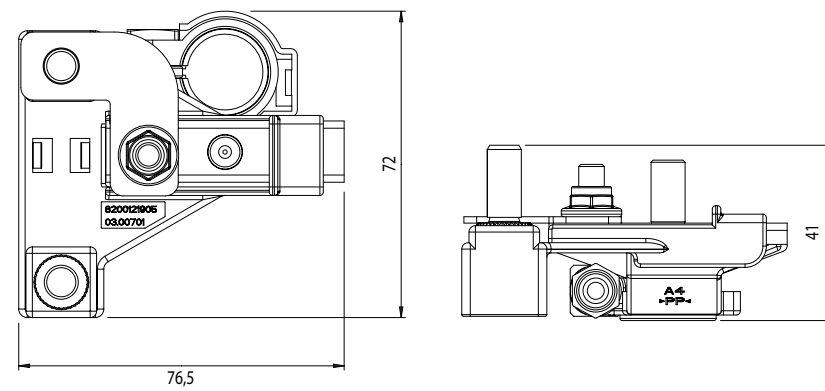


CBA X73

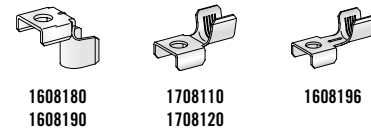


1

IMG	DESCRIPTION	P/N	MOQ
1	PRE-MOUNTED HOUSING FOR 1 POWER/MEGAVAL WITH BATTERY TERMINAL	0100703	1



CONNECTIONS AND FIXINGS

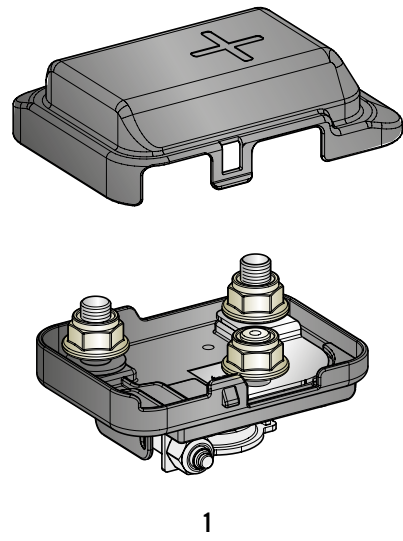


1608180
1608190

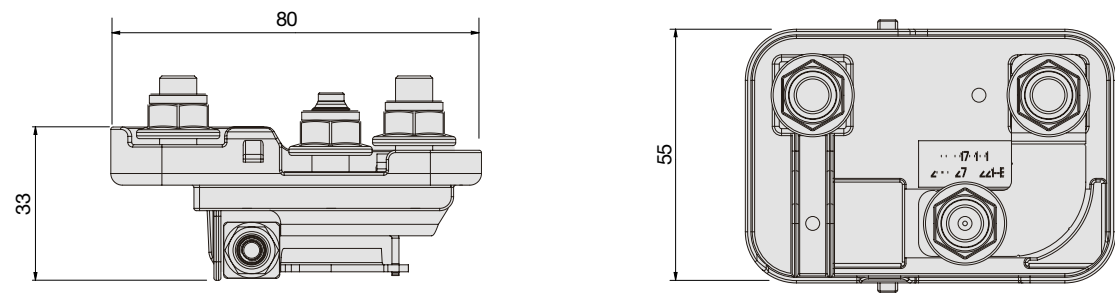
1708110
1708120

1608196

CBA J81 L4



IMG	DESCRIPTION	P/N	MOQ
1	PRE-MOUNTED HOUSING FOR 1 MEGA/POWERVAL WITH COVER AND BATTERY TERMINAL	0101703	1

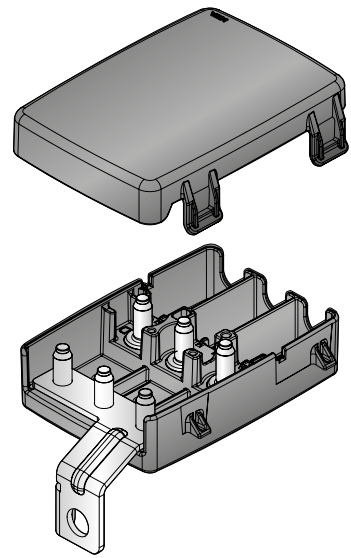


CONNECTIONS AND FIXINGS

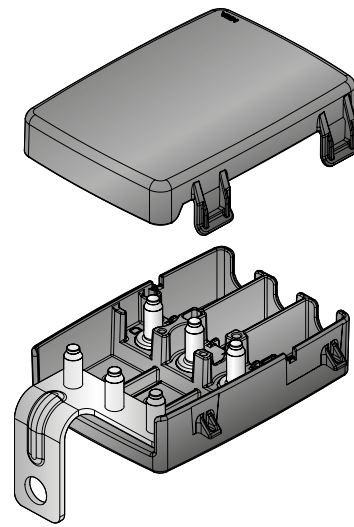


CBA J81 L4

3-WAY MIDIVAL®

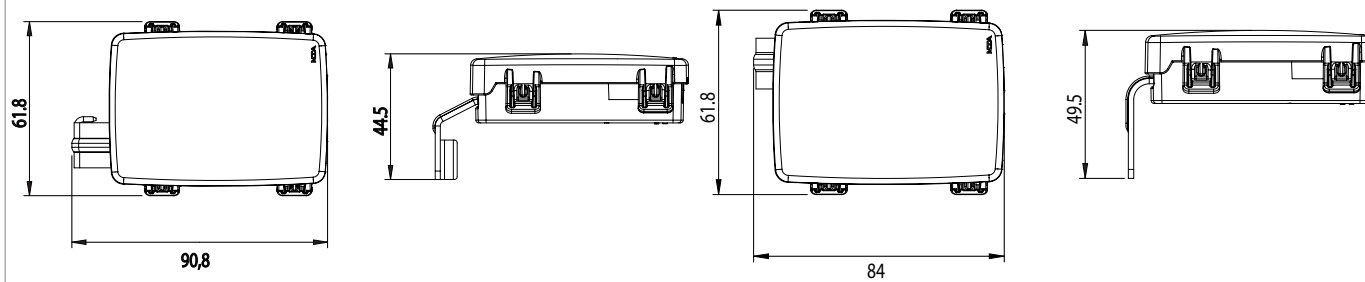


1



2

IMG	DESCRIPTION	P/N	MOQ
1	PRE-MOUNTED HOUSING DX FOR 3 MIDIVAL WITH COVER AND BUS-BAR	0300442	1
2	PRE-MOUNTED HOUSING SX FOR 3 MIDIVAL WITH COVER AND BUS-BAR	0300468	1



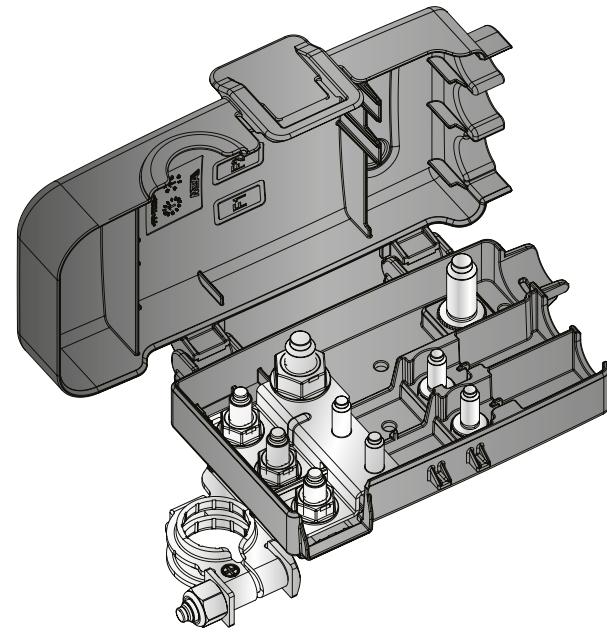
CONNECTIONS AND FIXINGS

IMG 1-2



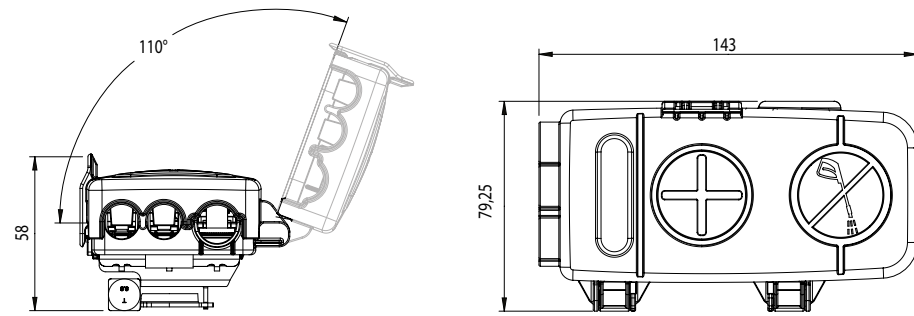
MIDI
POL A,B,D

CDB



1

IMG	DESCRIPTION	P/N BULK	MOQ
1	PRE-MOUNTED HOUSING FOR 2 MIDI/VAL AND 1 CAL/MEGAVAL WITH BATTERY TERMINAL	0300839	20



CONNECTIONS AND FIXINGS

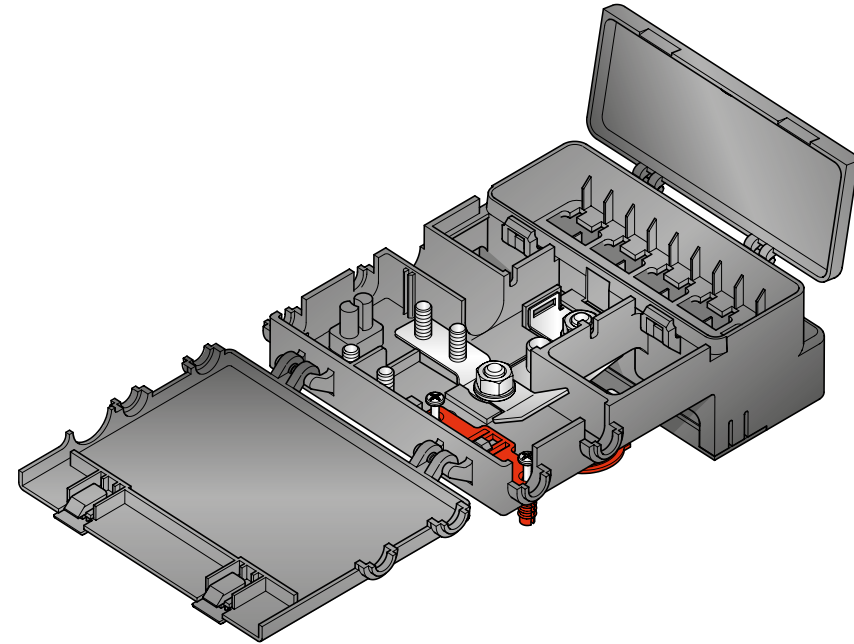


MIDI
POL A,B



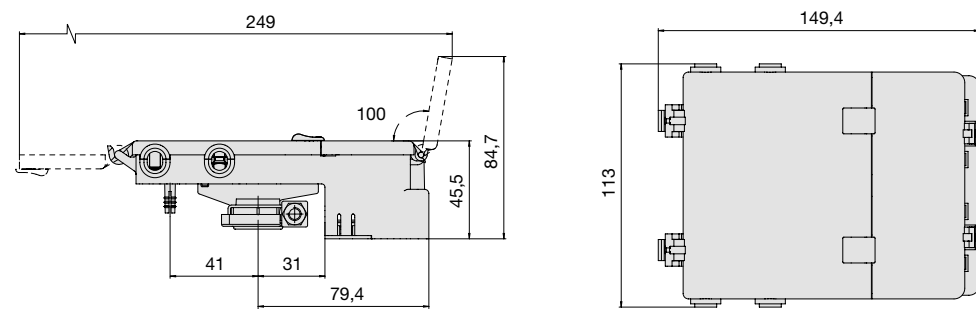
MEGA

LINK BATT

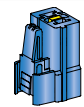


1

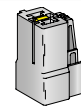
IMG	DESCRIPTION	P/N	MOQ
1	PRE-MOUNTED HOUSING FOR 8 MAXIVAL AND 2 MIDIVAL	0100710	1



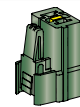
CONNECTIONS AND FIXINGS



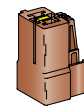
4540315



4540345



4540325



4540335



4545100

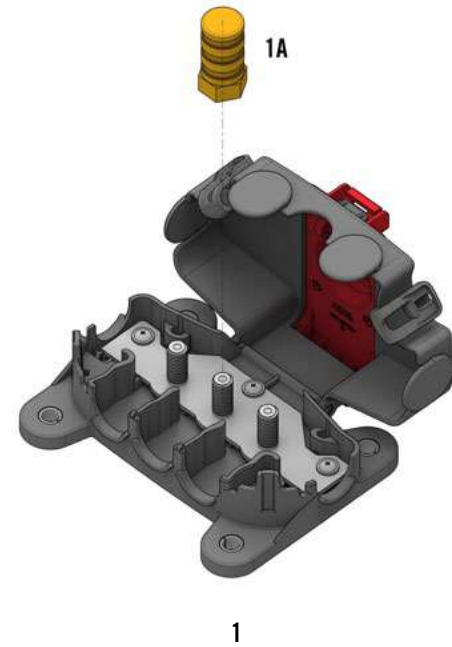


MIDI



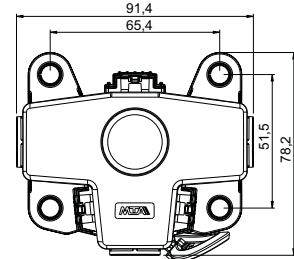
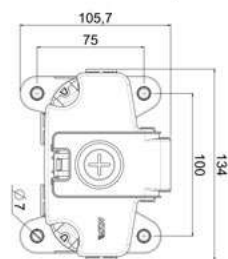
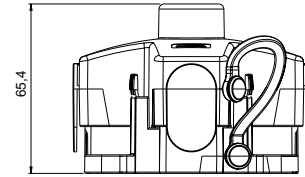
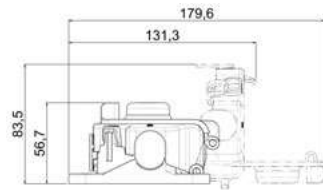
SQR-A

JUMP START



NEW

IMG	DESCRIPTION	P/N BULK	MOQ
1	JUMP START NODE	4541203	60
1a	JUMP START PLUG FOR POWER DISTRIBUTION	4541204	200
2	POWER DISTRIBUTOR WITH JUMP START	4541205	96

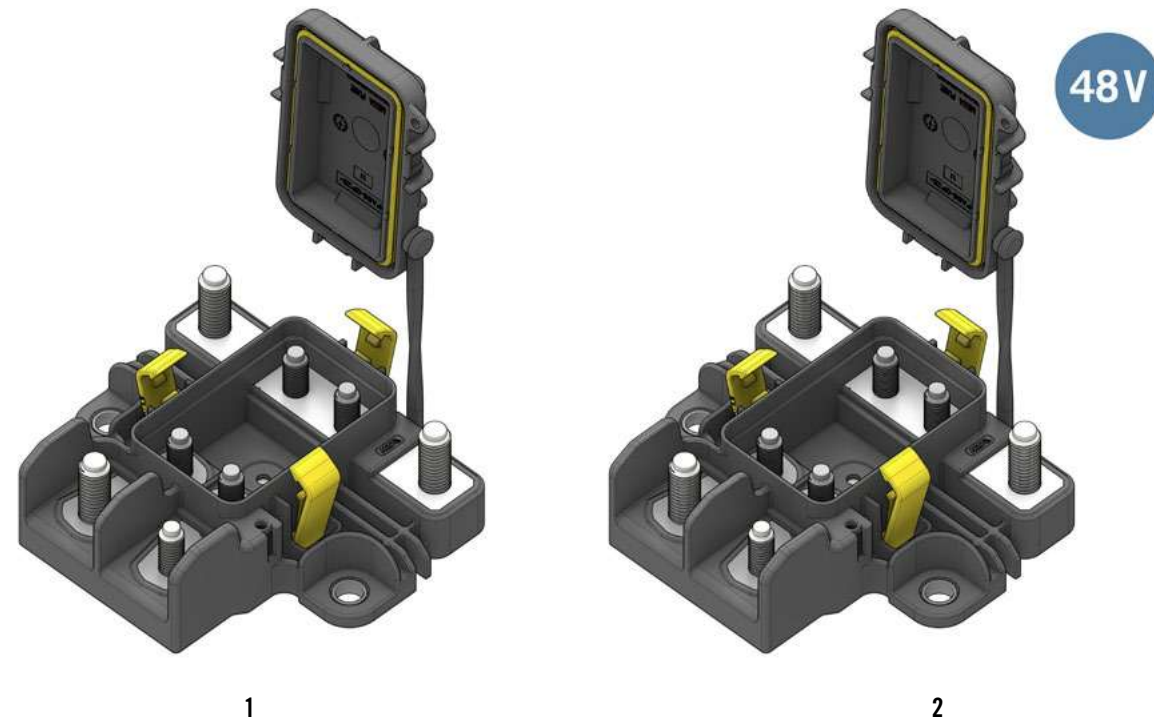


CONNECTIONS AND FIXINGS



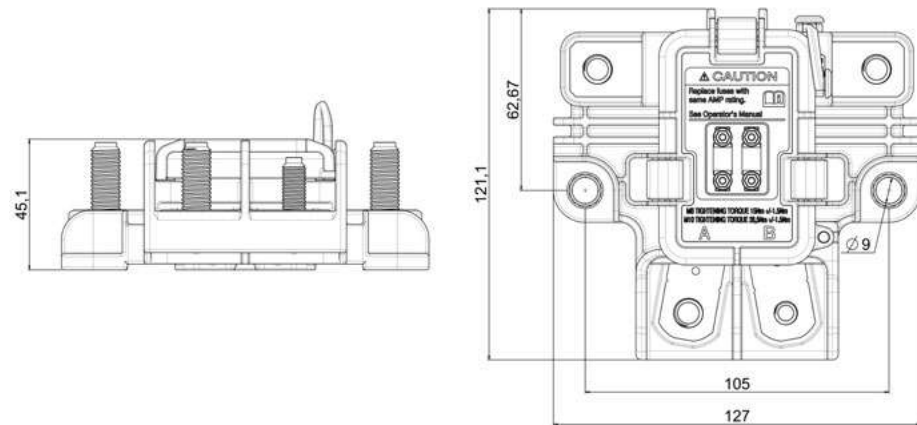
TUBULAR M8

12 & 48 V PDU 2M



NEW

IMG	DESCRIPTION	P/N	MOQ
1	PRE-MOUNTED HOUSING FOR 2 MEGAVAL WITH COVER	0301887	1
2	48 V PRE-MOUNTED HOUSING FOR 2 MEGAVAL WITH COVER	0300419	TBD

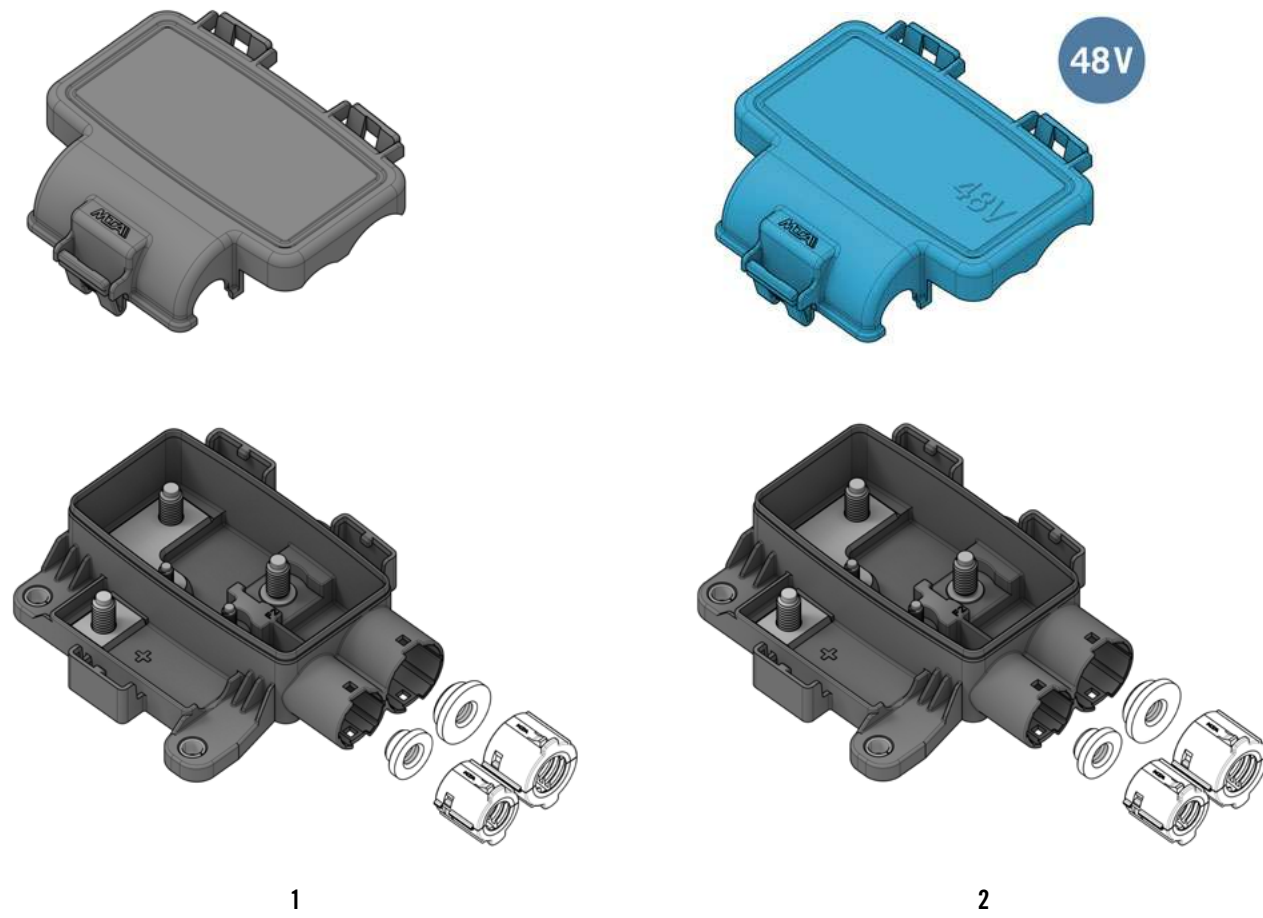


CONNECTIONS AND FIXINGS



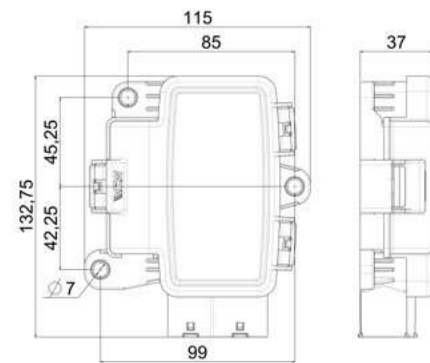
TUBULAR

12 & 48 V 2-WAY WATERPROOF PDU



NEW

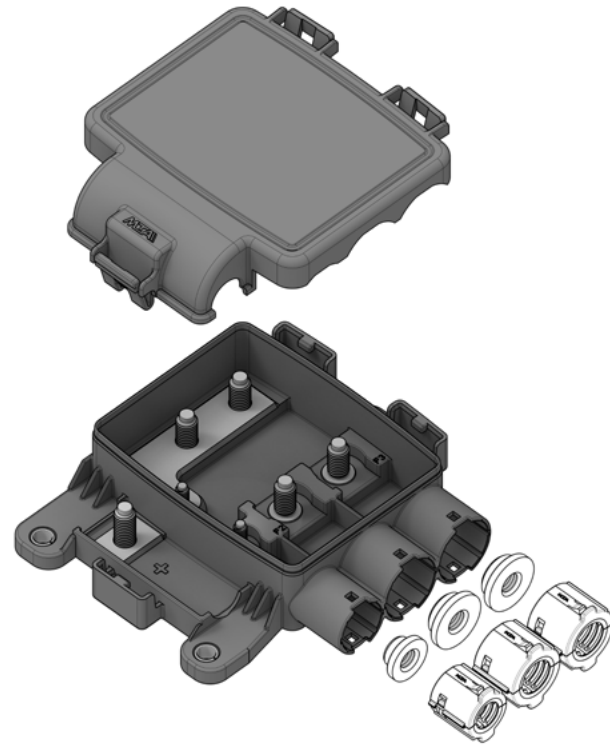
IMG	DESCRIPTION	P/N BULK	MOQ
1	PRE-MOUNTED HOUSING FOR 1 MIDIVAL AND 1 MEGAVAL WITH COVER	0301053	20
2	48 V PRE-MOUNTED HOUSING FOR 1 MIDIVAL AND 1 MEGAVAL WITH COVER	0300421	24



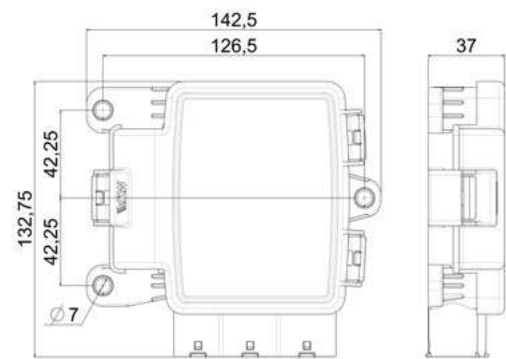
CONNECTIONS AND FIXINGS

IMG	1+2	1+2	1+2	1+2	1+2	1+2
	TUBULAR	MIDI M5 POLA	MEGA M8 POL A	1607510	GASKET	TUBE RETAINER

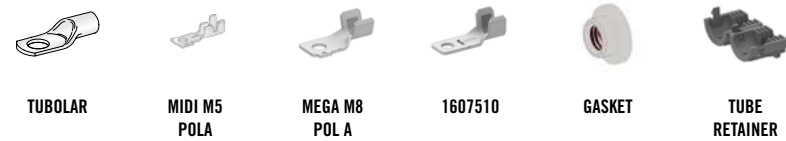
3-WAY WATERPROOF PDU



IMG	DESCRIPTION	P/N BULK	MOQ
1	PRE-MOUNTED HOUSING FOR 1 MIDIVAL AND 2 MEGAVAL WITH COVER	0301045	20



CONNECTIONS AND FIXINGS



RETAINER & GASKETS



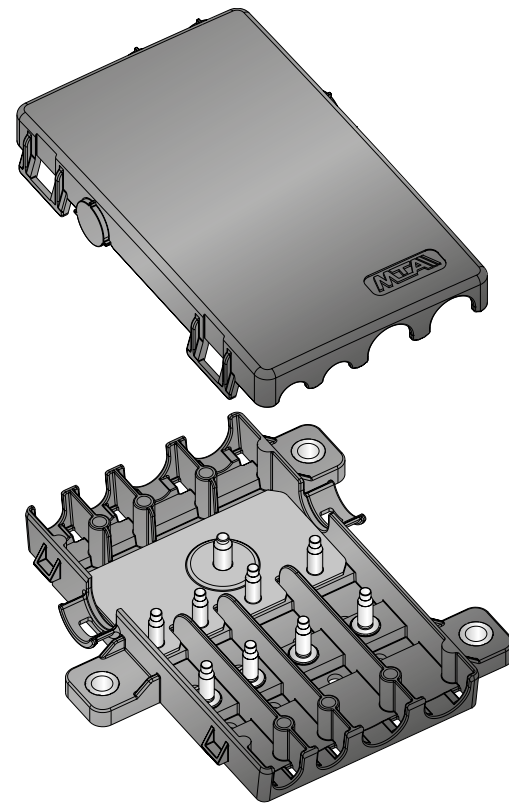
1



2

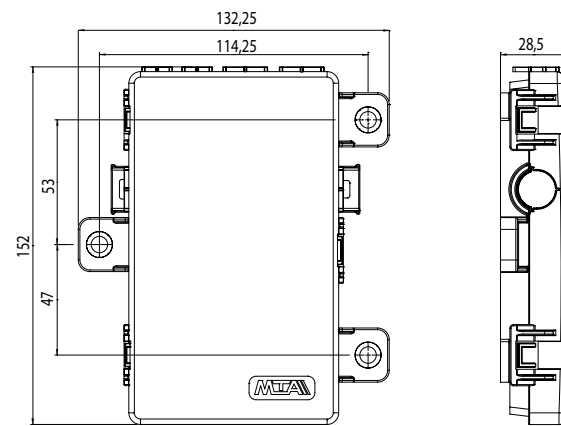
IMG	DESCRIPTION	MATERIAL	COLOUR	D	d	P/N BULK	MOQ	P/N BULK	MOQ
1	TUBE RETAINER	PBT	Black	19,6	6	0300454	200		
	TUBE RETAINER	PBT	Black	19,6	8	0300452	200		
	TUBE RETAINER	PBT	Black	19,6	11,4	0300465	200		
	TUBE RETAINER	PBT	Black	24,6	12,8	0300455	200		
	TUBE RETAINER	PBT	Black	24,6	14,3	0300464	200		
	TUBE RETAINER	PBT	Black	24,6	15,2	0300557	200		
	TUBE RETAINER	PBT	Black	24,6	18,2	0301199	280		
2	GASKET	SILICON	Green	18	2	0300456	200		
	GASKET	SILICON	Blue	18	3,7	0300457	200		
	GASKET	SILICON	Yellow	18	6	0300463	200		
	GASKET	SILICON	Red	18	8	0300458	200		
	CAVITY PLUG	SILICON	Natural	18	-	0350459	200	0300459	5000
	GASKET	SILICON	Yellow	23	8	0300460	200		
	GASKET	SILICON	Green	23	10	0350558	200		
	CAVITY PLUG	SILICON	Natural	23	-	0301204	1000		

4-WAY MIDIVAL®



1

IMG	DESCRIPTION	P/N	MOQ
1	PRE-MOUNTED HOUSING FOR 4 MIDIVAL WITH COVER, BUS-BAR AND SELF LOCKING NUTS	0300552	1



CONNECTIONS AND FIXINGS

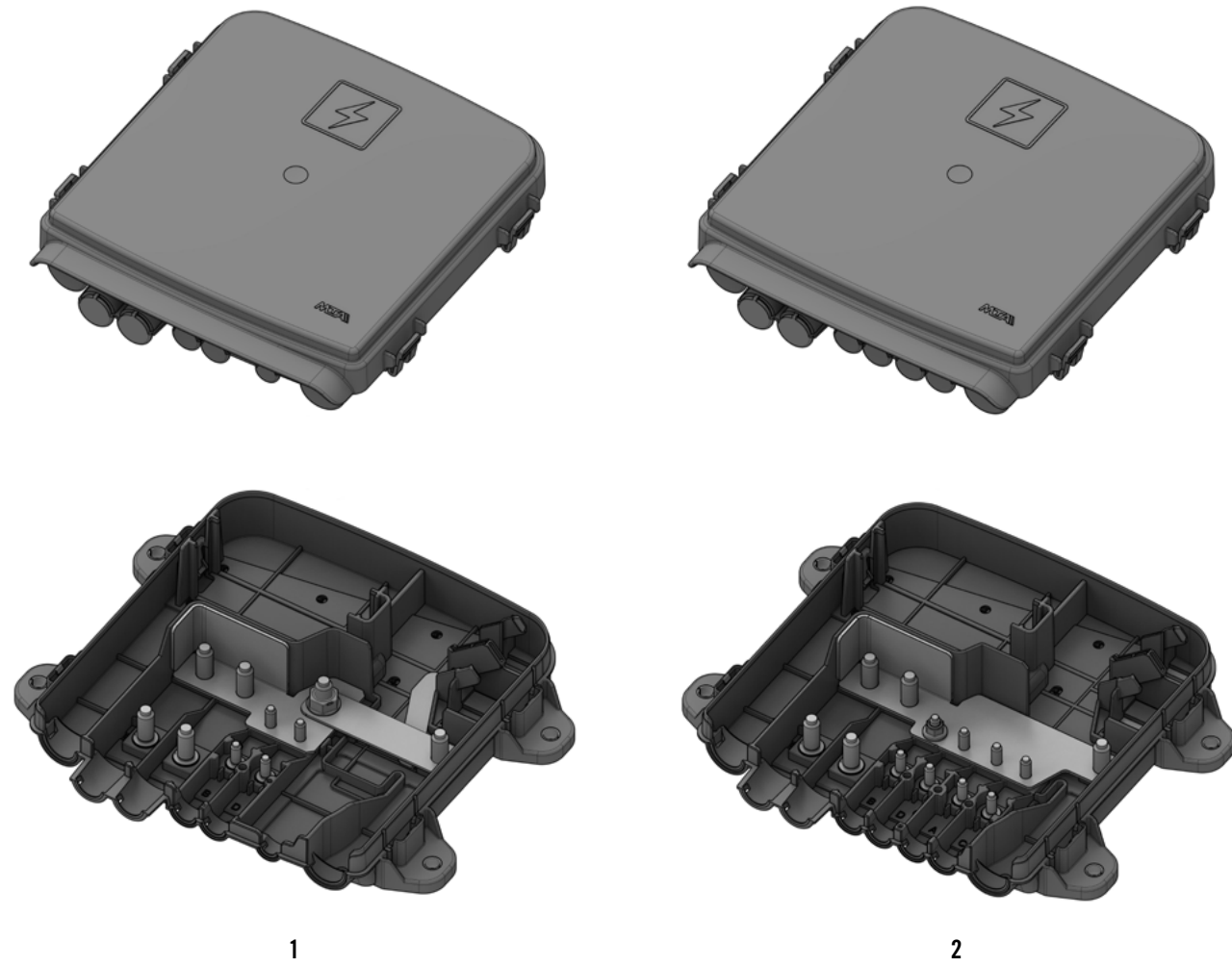


1708250

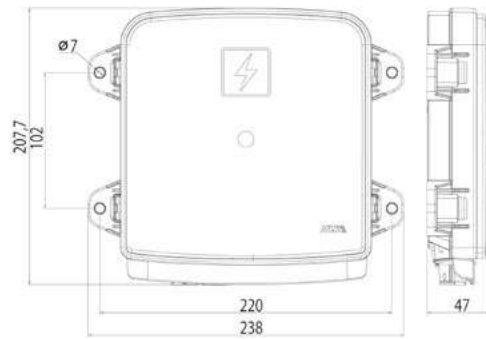


1708246

SPLASH PROOF CONFIGURABLE PDU



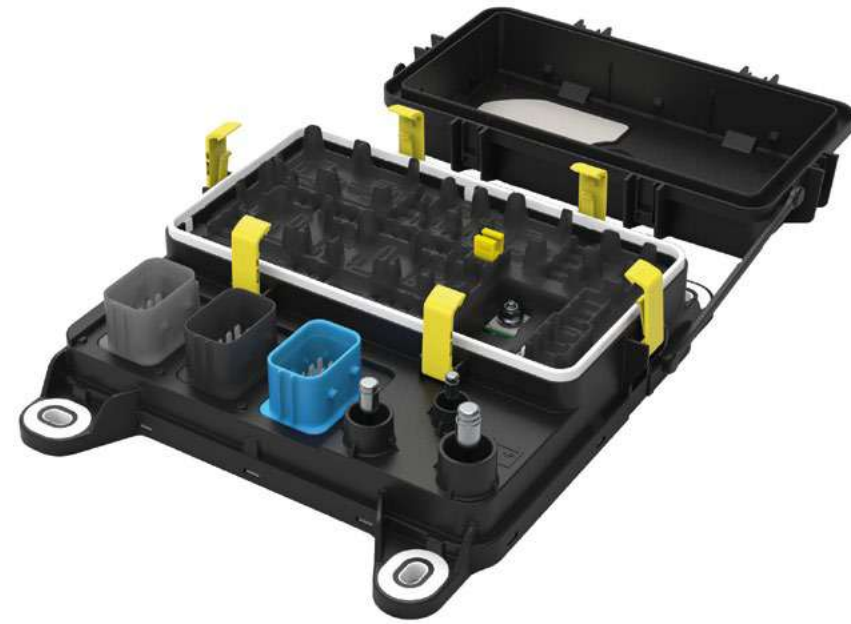
IMG	DESCRIPTION	P/N	MOQ
1	PRE-MOUNTED HOUSING FOR 2 MEGA/POWERVAL + 2 MIDIVAL W/ COVER AND BUS-BAR. CAN ACCOMODATE ELECTRONIC BDS	0301865	1
2	PRE-MOUNTED HOUSING FOR 4 MIDIVAL + 2 MEGAVAL + 5 MINIVAL WITH COVER AND BUS-BAR	0301873	1



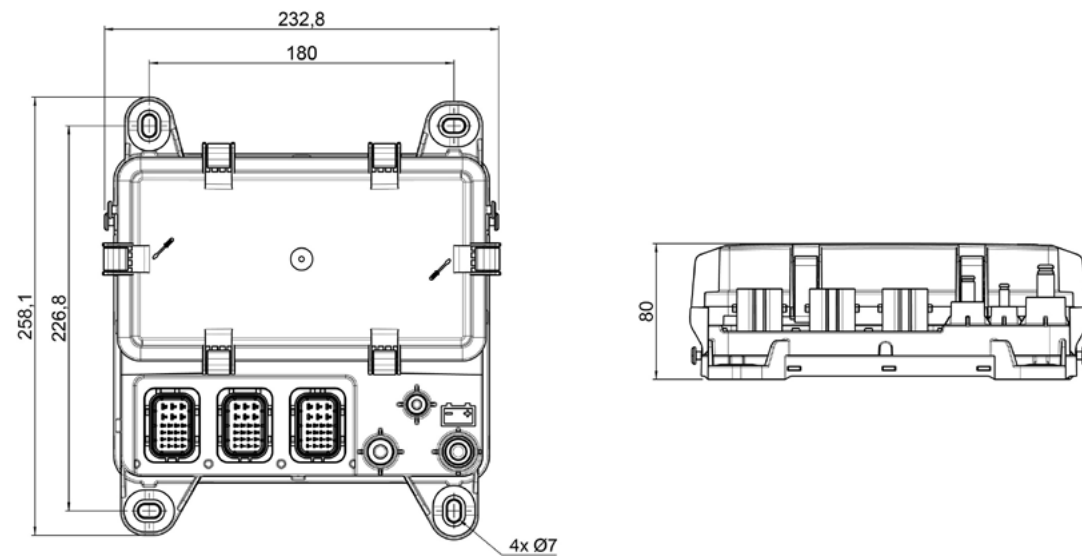
CONNECTIONS AND FIXINGS

IMG	1+2	2	1+2	1+2	1+2	1+2
	MIDI POL A,B	MIDI POL A,B,C,D	TUBULAR M8	MUDULES	SML	F280

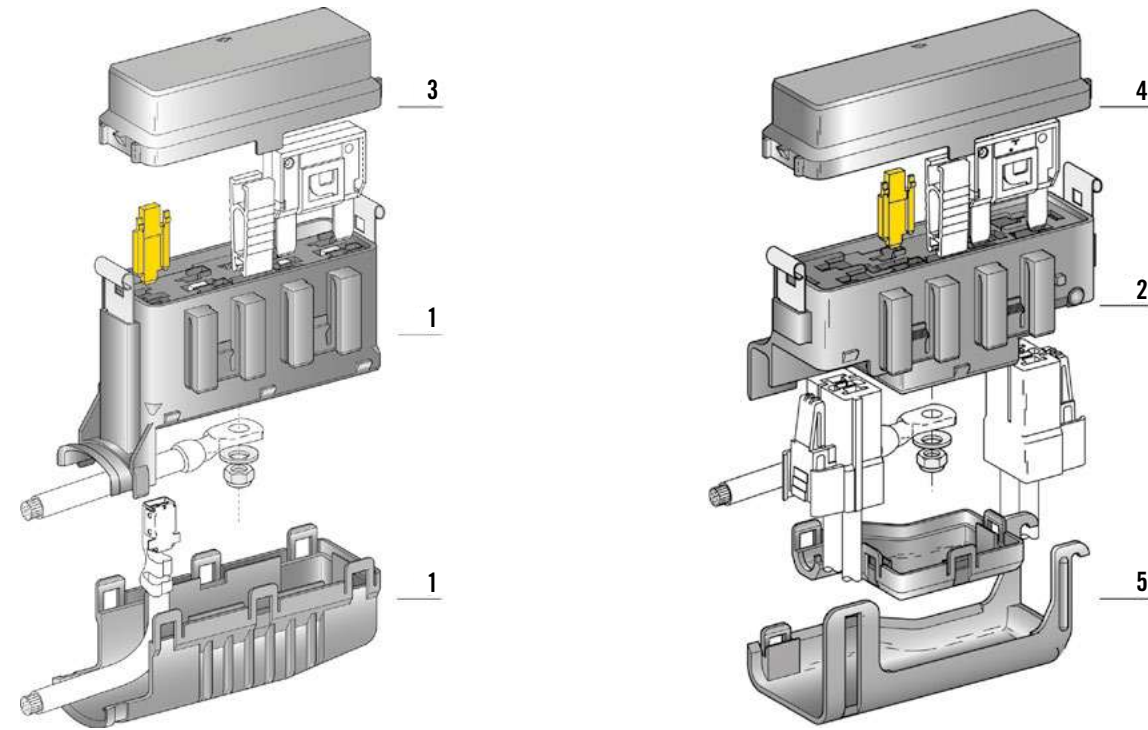
MEC 97



IMG	DESCRIPTION	P/N BULK	MOQ
1	CONFIGURABLE POWER DISTRIBUTION UNIT WITH PRESS-FIT TECHNOLOGY	0301163	8



LINK BOX

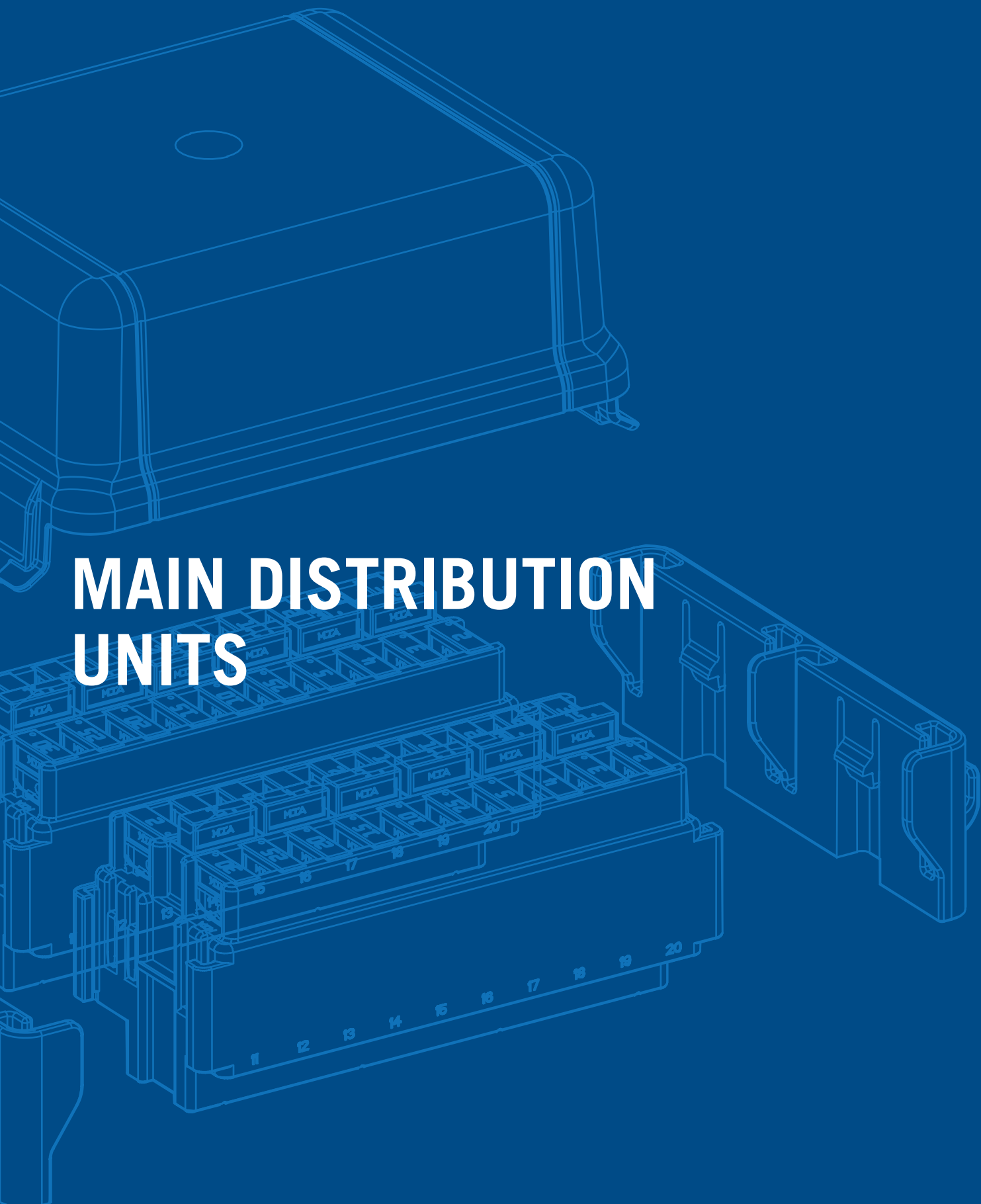


IMG	DESCRIPTION	WAY	MATERIAL	COLOUR	P/N KIT	MOQ	P/N BULK	MOQ
1	HOUSING + BOTTOM COVER+ S.LOCK + NUTS	4	PA66 GF25 PA66	■ Black	0100500 WITH COVER	1	0300500	200
2	HOUSING + BOTTOM COVER+ S.LOCK + NUTS	4	PA66 GF25 PA66	■ Black	0100800 WITH COVER AND TERMINALS	1	0300800	120
3	UPPER COVER WITH GASKET		PA66 GF25	■ Black			0300950	200
4	UPPER COVER WITH GASKET		PA66 GF25	■ Black			0300850	150
5	WIRE'S COVER		PA66	■ Black			0300849	400



CONNECTIONS AND FIXINGS

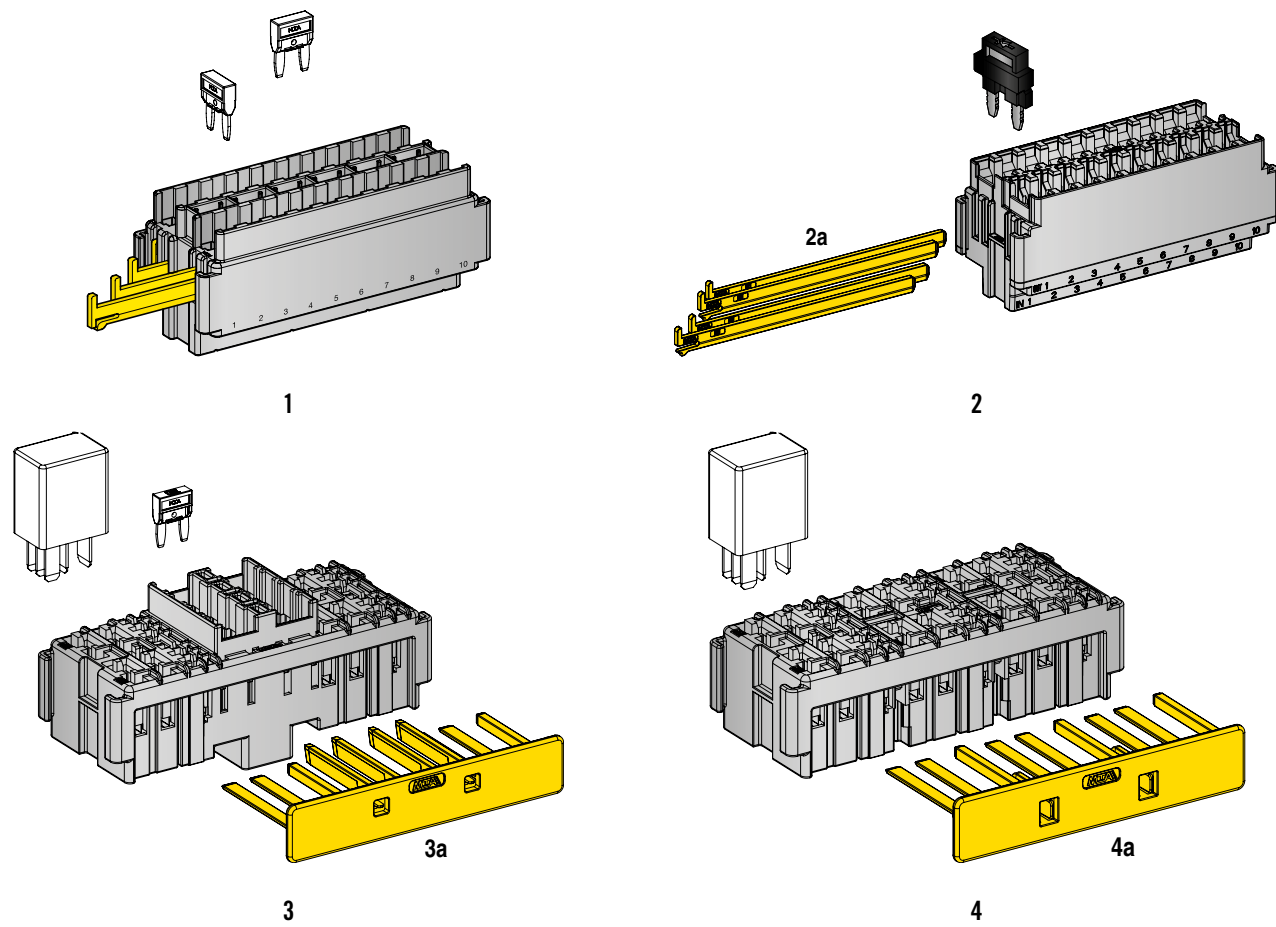
IMG	1+2	1	1+2	1+2	2	2	2	1+2
	0300949	0300690	0300691	F800	1605000	4540315	4540345	4545100



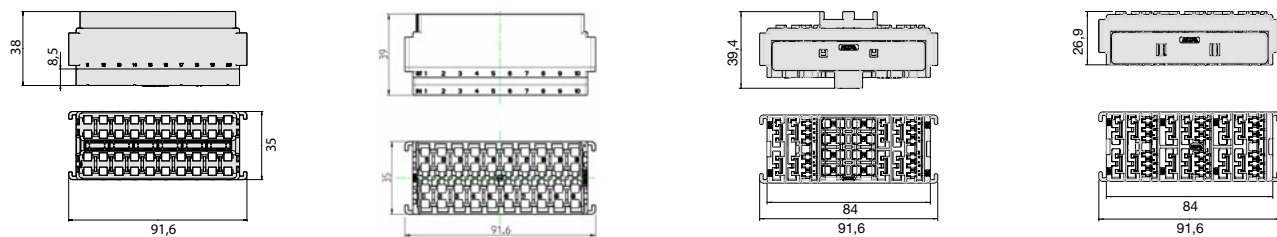
MAIN DISTRIBUTION UNITS



MODULES



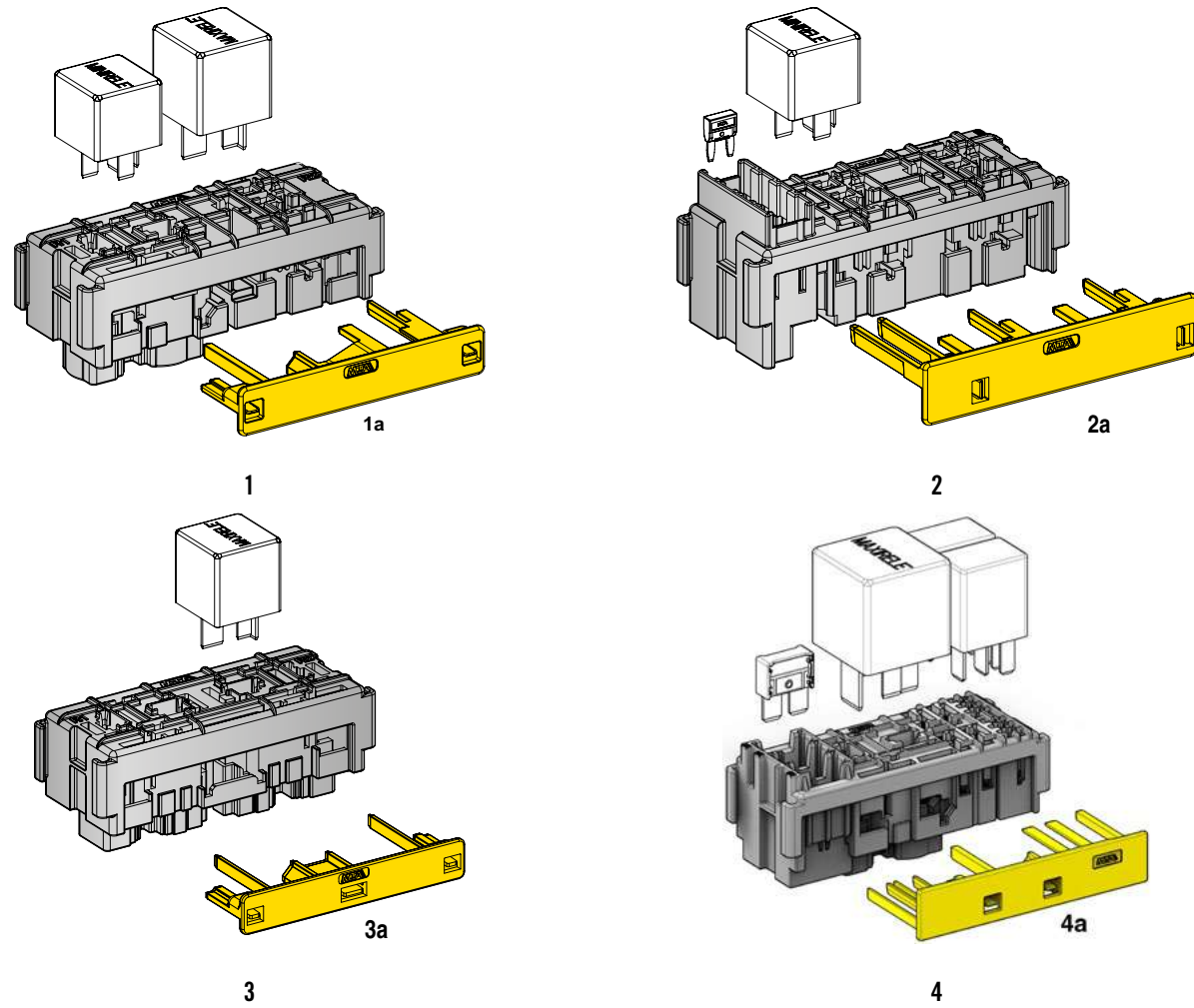
IMG	DESCRIPTION	WAY	MATERIAL	COLOUR	P/N BOX WITH S.LOCK	MOQ	P/N BULK	MOQ
1	MINIVAL MODULE	20	PA66 MD25	Grey	0101460	1	0301460	250
2	DIODES/MINIVAL MODULE	20	PA66 MD25	Grey	0101640	1	0301640	230
2a	SECONDARYLOCK		PA66	Yellow			0300793	7000
3	MINIVAL/MICRORELAY MODULE	8 + 4	PA66 MD25	Grey	0101564	1	0301564	132
3a	SECONDARYLOCK		PA66 GF 13	Yellow			0301566	400
4	MICRORELAY MODULE	6	PA66 MD25	Grey	0101484	1	0301484	198
4a	SECONDARYLOCK		PA66 GF 13	Yellow			0301486	400



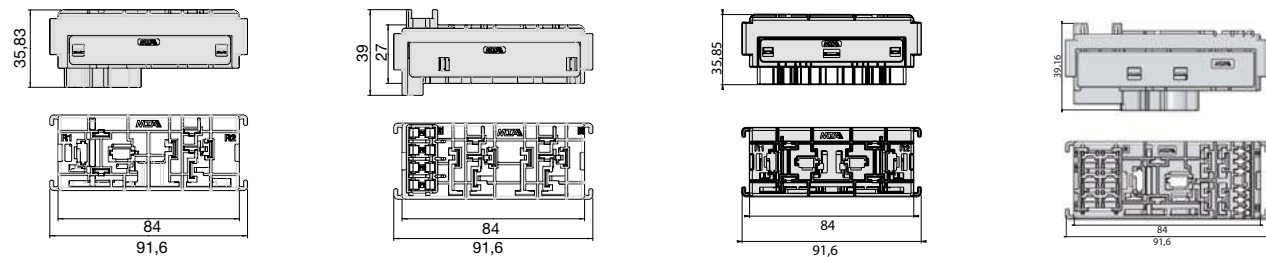
CONNECTIONS AND FIXINGS

IMG	1+2+3	1+2+3	3+4	3+4	3+4	3+4
	F280	F280 BUS-BAR	F480E	F630E	0301630	0301376

MODULES



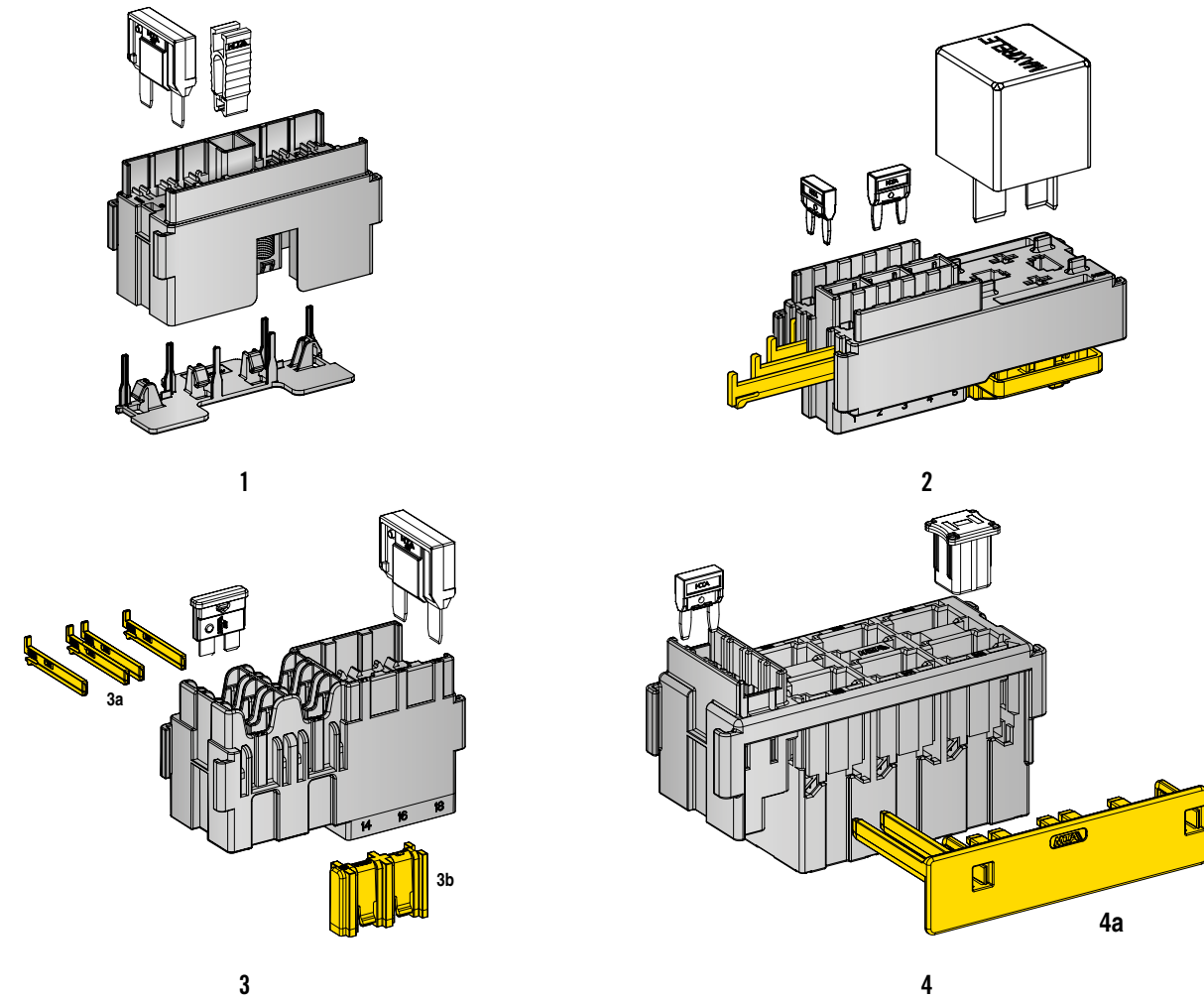
IMG	DESCRIPTION	WAY	MATERIAL	COLOUR	P/N BOX WITH S.LOCK	MOQ	P/N BULK	MOQ
1	MINI/MAXI RELAY MODULE	1 + 1	PA66 MD25	Grey	0101494	1	0301494	132
1a	SECONDARYLOCK		PA66 GF 13	Yellow			0301496	600
2	MINIVAL/MINIRELAY MODULE	4 + 2	PA66 MD25	Grey	0101504	1	0301504	132
2a	SECONDARYLOCK		PA66 GF 13	Yellow			0301506	400
3	MAXIRELAY MODULE	2	PA66 MD25	Grey	0101660	1	0301660	132
3a	SECONDARYLOCK		PA66 GF 13	Yellow			0301661	600
4	MAXICOMPACT/MAXI/MICRO RELAY MODULE	3 + 1 + 2	PA66 MD25	Grey	0101695	1	0301695	132
4a	SECONDARYLOCK		PA66 GF 13	Yellow			0301696	400



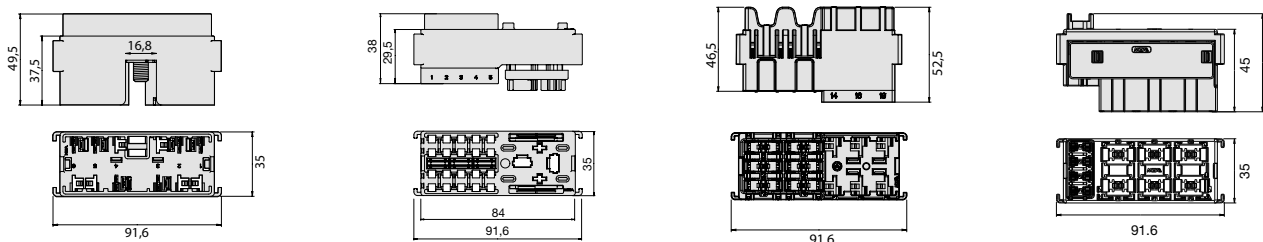
CONNECTIONS AND FIXINGS

IMG	1+3+4	1+2+3+4	2	2	4	1+2+3+4	1+2+3+4
	F950	F630E	F280	F280 BUS-BAR	F480E	0301630	0301376

MODULES



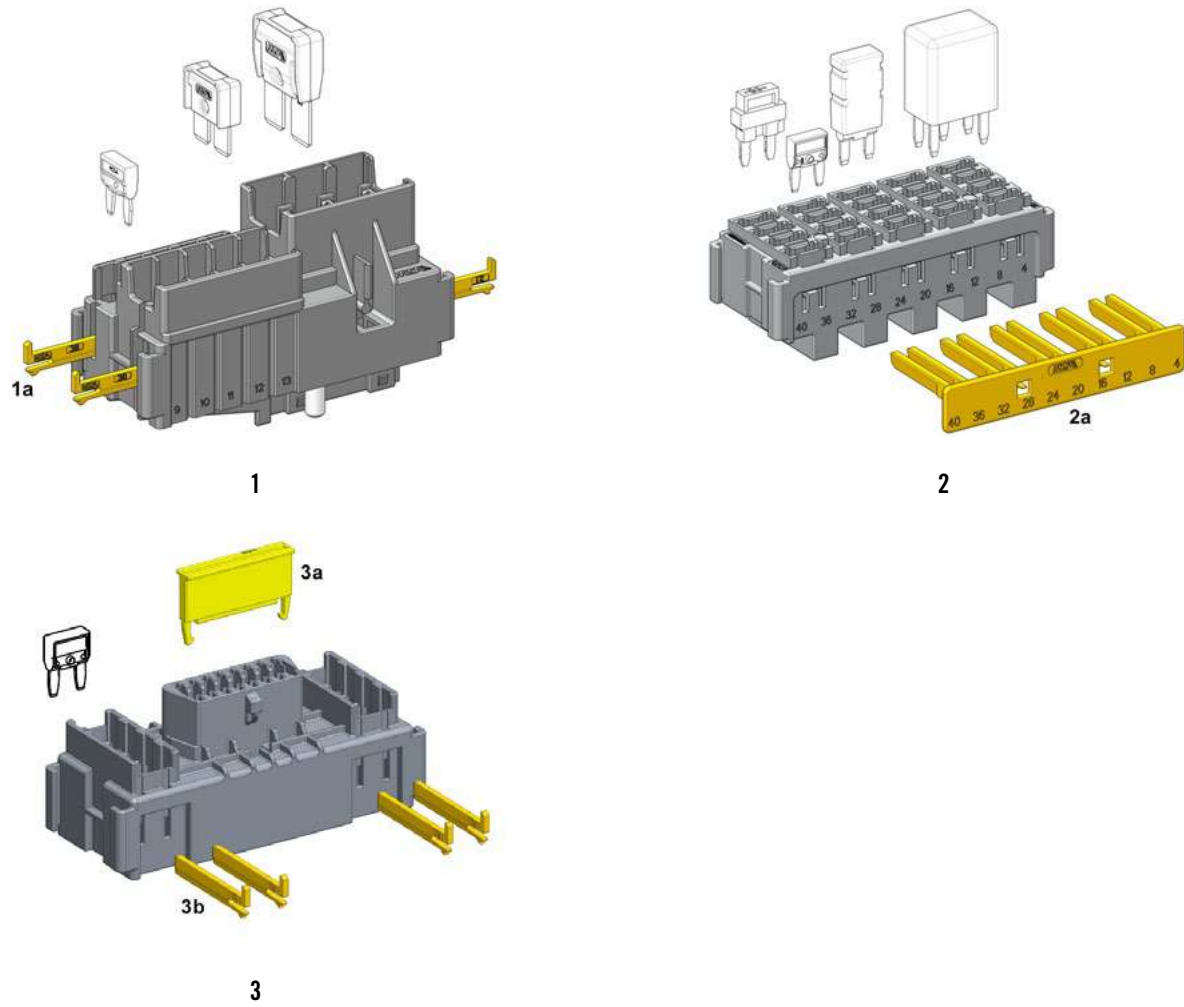
IMG	DESCRIPTION	WAY	MATERIAL	COLOUR		P/N BOX WITH S.LOCK	MOQ	P/N BULK	MOQ
1	MAXIVAL MODULE	6	PBT GF20	Grey		0101470	1	0301470	162
2	MINIVAL/MAXIRELAY MODULE	10 + 1	PA66 MD25	Grey		0101510	1	0301510	300
3	MAXIVAL/UNIVAL MODULE	3 + 6	PA66 MD25	Grey		0101600	1	0301600	100
3a	SECONDARY LOCK FOR UNIVAL		PA66	Yellow				0301601	6000
3b	SECONDARY LOCK FOR MAXIVAL		PA66	Yellow				0301602	2000
4	MINIVAL/TYP A1S MODULE	4 + 6	PA66 MD25	Grey		0101690	1	0301690	99
4a	SECONDARY LOCK		PA66 GF13	Yellow				0301691	300



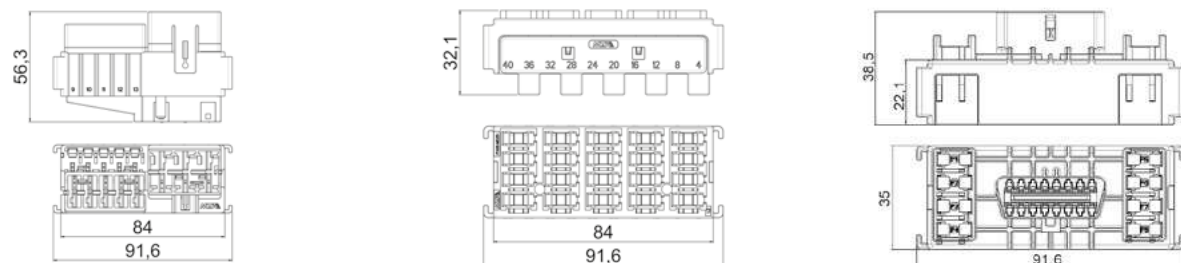
CONNECTIONS AND FIXINGS

IMG	1+3	2	2	2+4	2+4	3	3	4	2	2
	F800	SPT	F950	F280	F280 BUS-BAR	UNI F630	UNI F630 BUS BAR	M630	0301630	0301376

MODULES



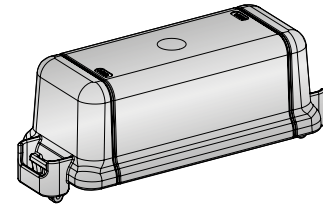
IMG	DESCRIPTION	WAY	MATERIAL	COLOUR	P/N BOX WITH S.LOCK	MOQ	P/N BULK	MOQ
1	MINIVAL/MAXICOMPACT/M8C MODULE	5 + 5 + 3	PA66 MD25	Grey	0101697	1	0301697	162
1a	SECONDARY LOCK		PA 66	Yellow			0300564	486
2	MINIVAL/CIRCUIT BRAKERS/DIODES MODULE	20	PA66 MD25	Grey	0101698	1	0301698	160
2a	SECONDARYLOCK	6	PA66 GF13	Yellow			0301699	330
3	MINIVAL/OBD MODULE	8 + 1	PA66 GF30	Grey	0101375	1	0301375	128
3a	SECONDARY LOCK FOR OBD CONNECTOR		PA 66	Yellow			0300791	5000
3b	SECONDARY LOCK FOR MINIVAL		PA 66	Yellow			0301601	6000



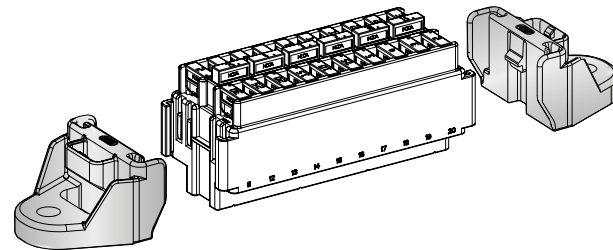
CONNECTIONS AND FIXINGS

IMG	1+2+3	2	1	1	2	2	2
	F280	F280 BUS-BAR	F630E	F800 WITH CLIP	0301630	0301376	0301237

FRAMES, BRACKETS & COVERS

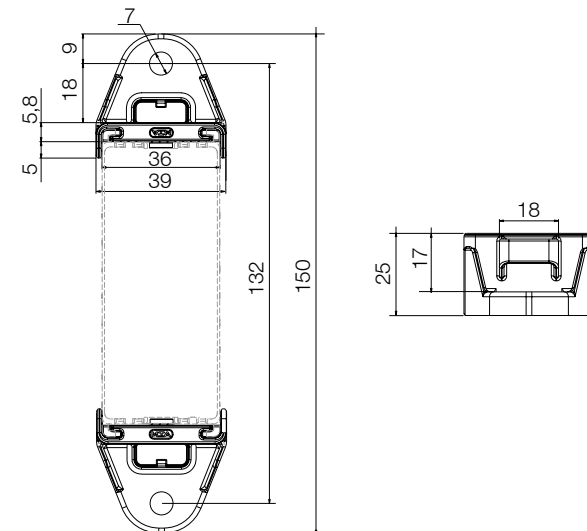


1

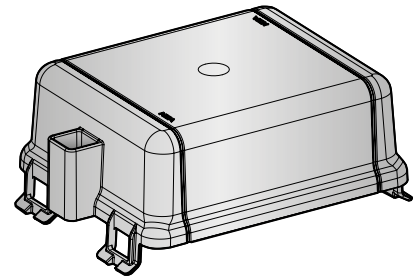


2

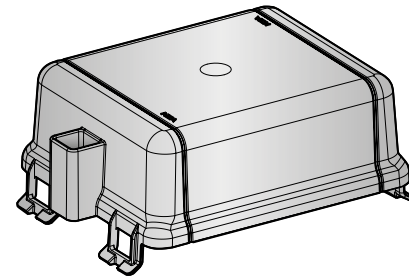
IMG	DESCRIPTION	WAY	MATERIAL	COLOUR	P/N BOX	MOQ	P/N BULK	MOQ
1	COVER	1	PP GF30	Grey	0101590	1	0301590	150
2	BRACKET	1	PP GF30	Grey	0101580	2	0301580	600



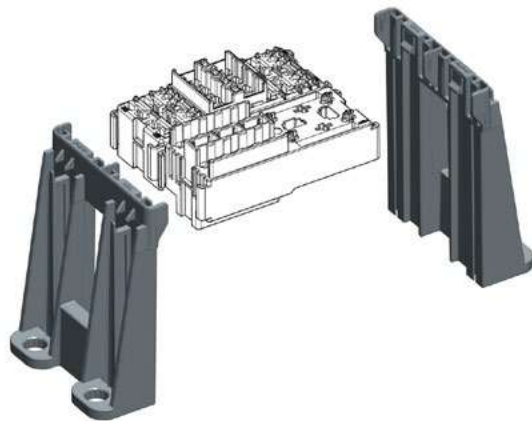
FRAMES, BRACKETS & COVERS



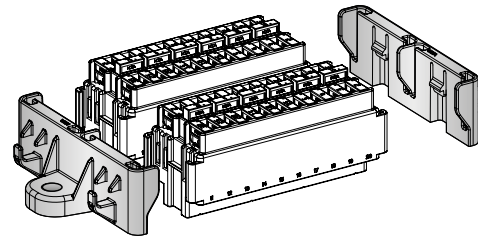
1



2

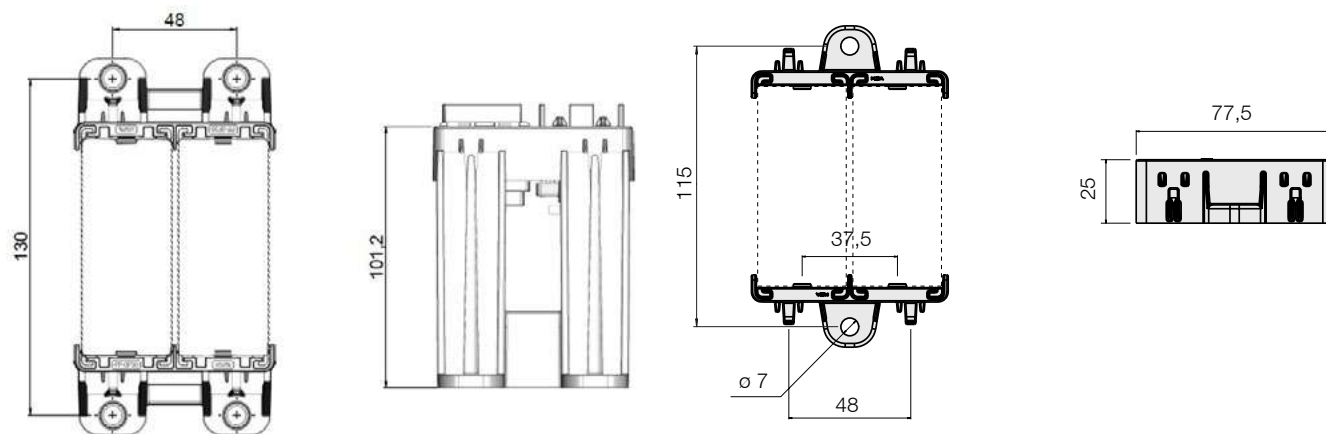


3

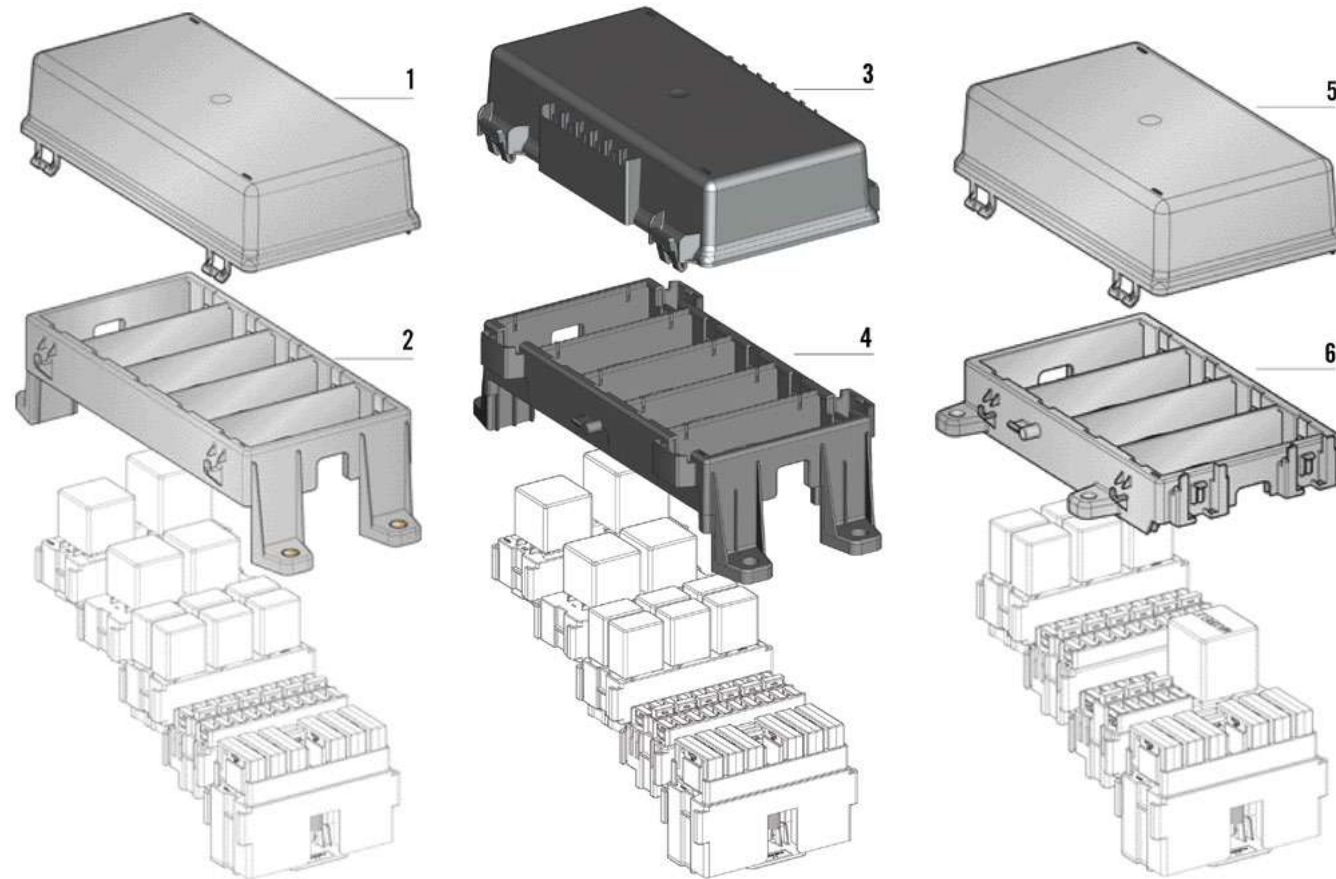


4

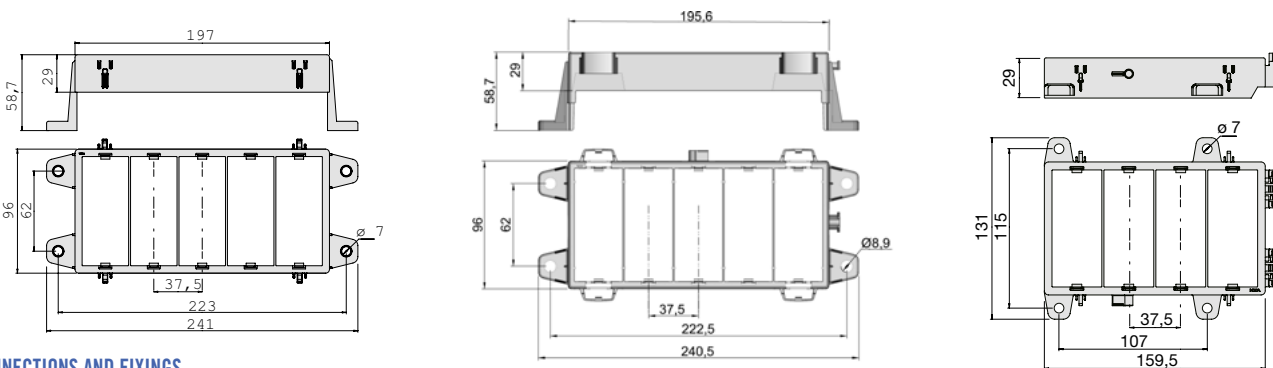
IMG	DESCRIPTION	WAY	MATERIAL	COLOUR	P/N BOX	MOQ	P/N BULK	MOQ
1	COVER	2	PP GF30	Grey	0101550	1	0301550	200
2	COVER	2	PP GF30	Grey	0101550	1	0301550	200
3	BRACKET	2	PP GF30	Grey	0101180	2	0301180	130
4	BRACKET	2	PP GF30	Grey	0100699	2	0300699	400



FRAMES, BRACKETS & COVERS



IMG	DESCRIPTION	WAY	MATERIAL	COLOUR	P/N BULK	MOQ	P/N BULK	MOQ
1	COVER	5	PP GF30	Grey	0101540	3	0301540	48
2	FRAME	5	PP GF30	Grey	0101450	3	0301450	85
3	COVER	5	PP GF30	Grey	0101707	3	0301707	60
4	FRAME	5	PP GF30	Grey	0101706	3	0301706	50
5	COVER	4	PP GF30	Grey	0101530	3	0301530	63
6	FRAME	4	PP GF30	Grey	0101520	3	0301520	63



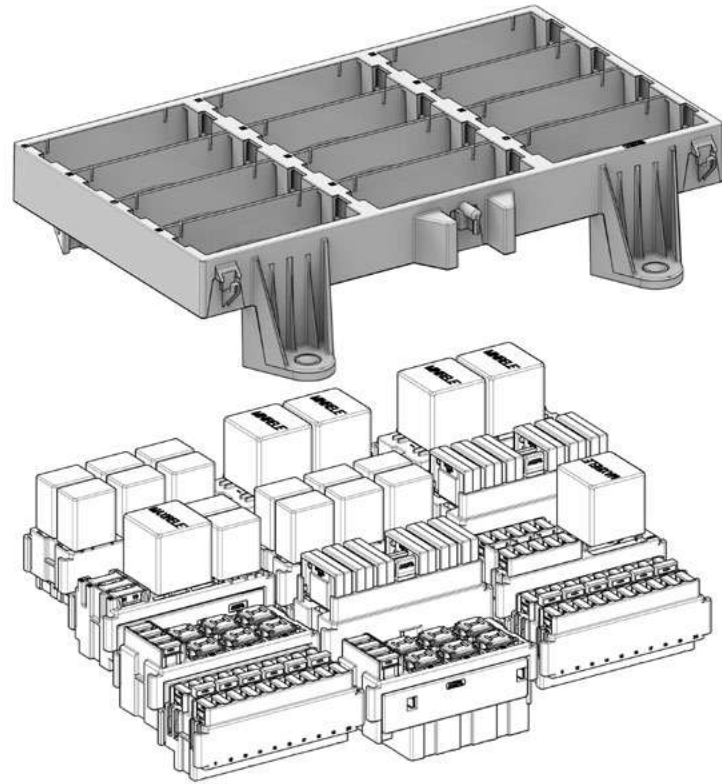
CONNECTIONS AND FIXINGS



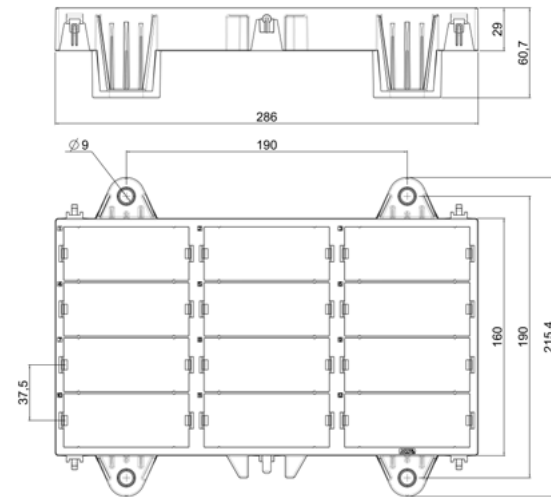
NOTE FOR 0301706:

RETAINERS FOR 5-WAY FRAME 0301706 ARE ONLY FOR POSITIONS 2,3,4

FRAMES, BRACKETS & COVERS



IMG	DESCRIPTION	WAY	MATERIAL	COLOUR	P/N BULK	MOQ
1	FRAME	12	PP GF30	Grey	0301682	25



CONNECTIONS AND FIXINGS

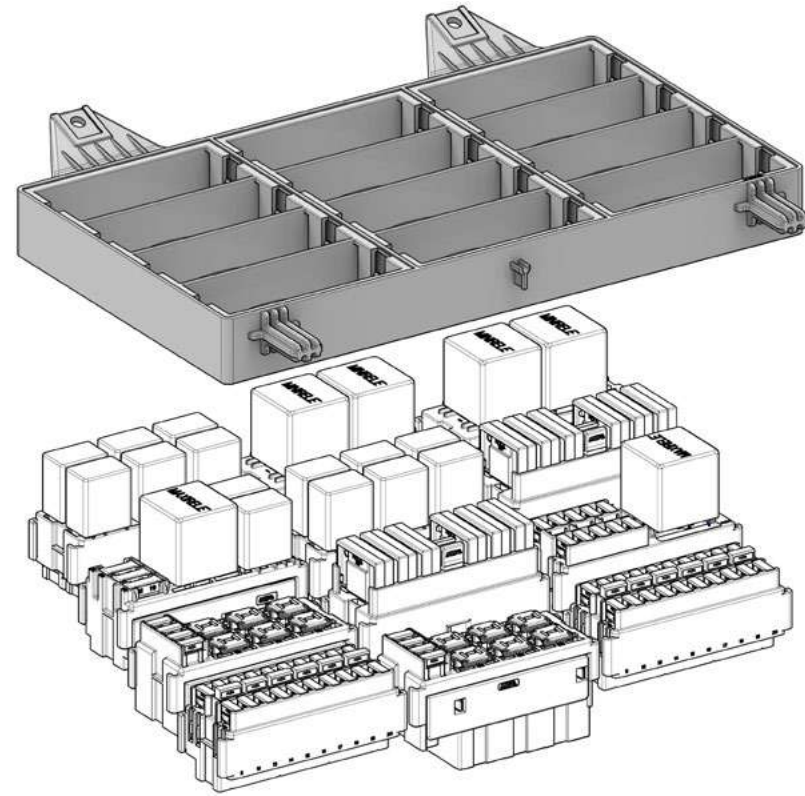


0301376

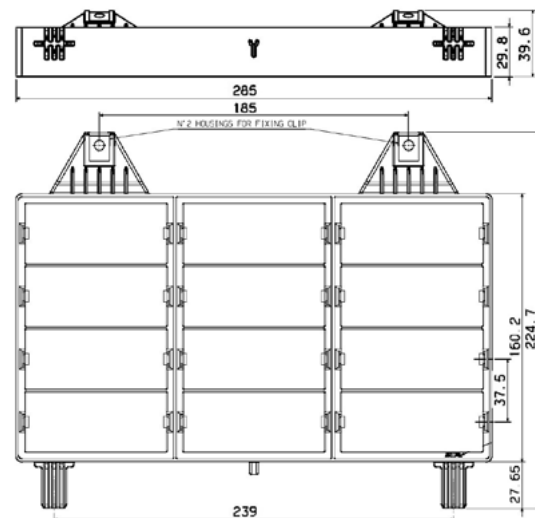


0301237

FRAMES, BRACKETS & COVERS



IMG	DESCRIPTION	WAY	MATERIAL	COLOUR	P/N BULK	MOQ
1	FRAME	12	PP GF30	Grey	0301680	104



CONNECTIONS AND FIXINGS

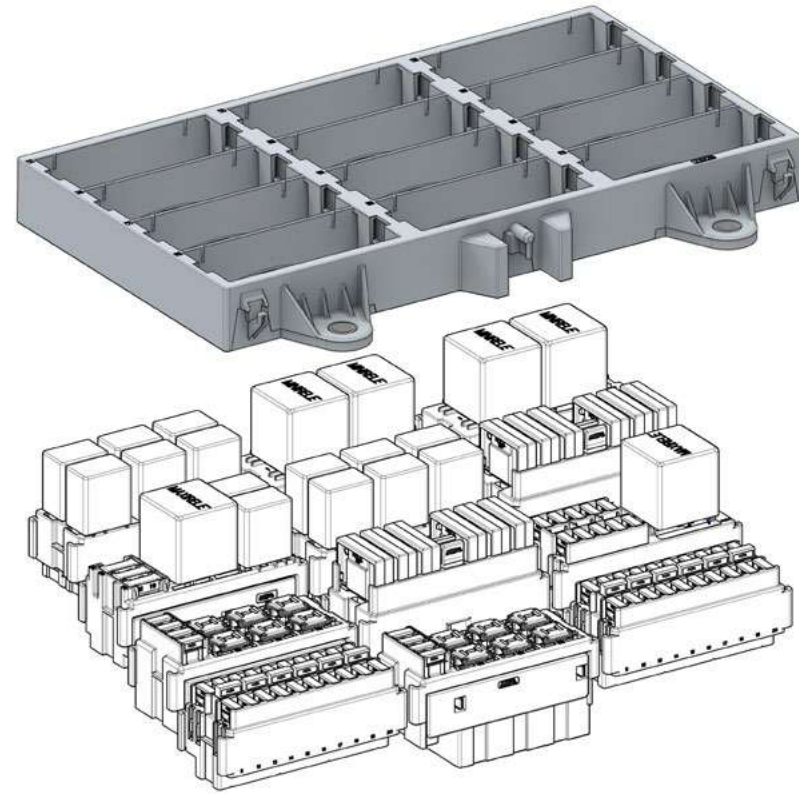


0301376

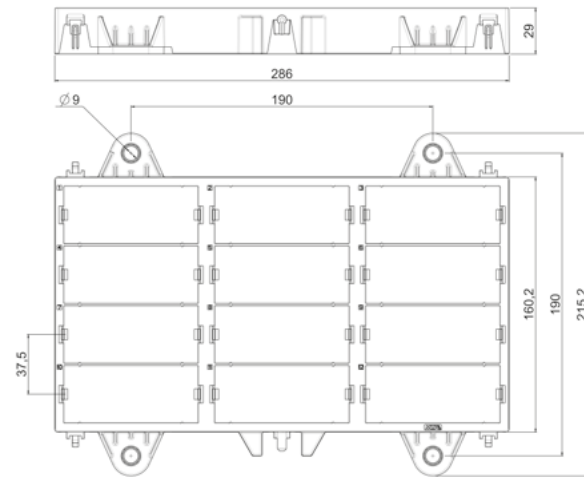


0301237

FRAMES, BRACKETS & COVERS



IMG	DESCRIPTION	WAY	MATERIAL	COLOUR	P/N BULK	MOQ
1	FRAME	12	PP GF30	Grey	0301681	30



CONNECTIONS AND FIXINGS

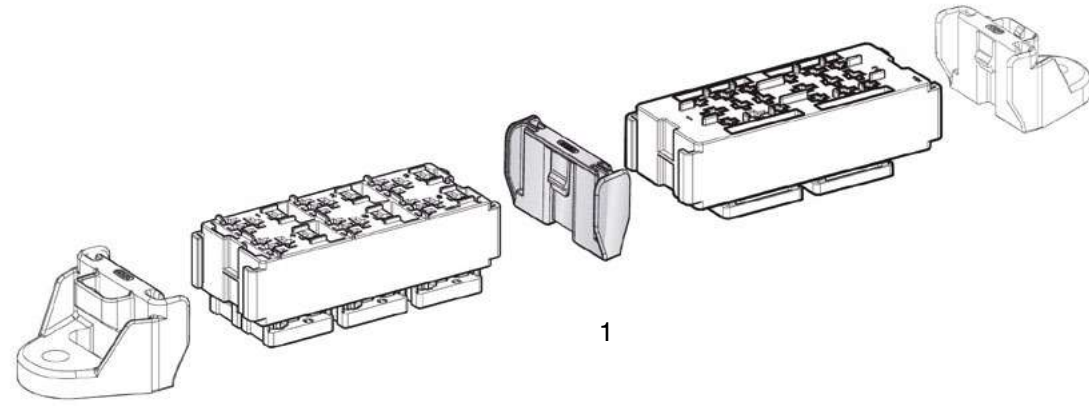


0301376

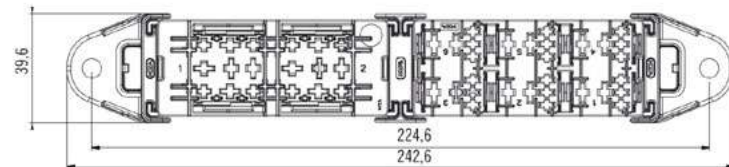


0301237

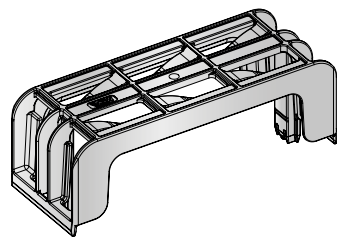
FRAMES, BRACKETS & COVERS



IMG	DESCRIPTION	WAY	MATERIAL	COLOUR	P/N BULK	MOQ
1	BRACKET	1	PP GF30	Grey	0301620	250



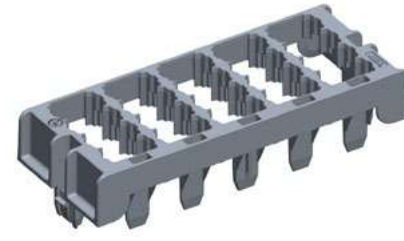
FRAMES, BRACKETS & COVERS



1

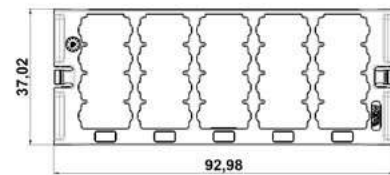
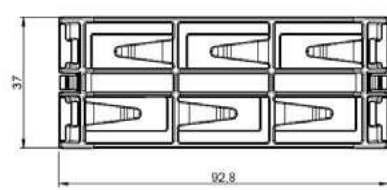
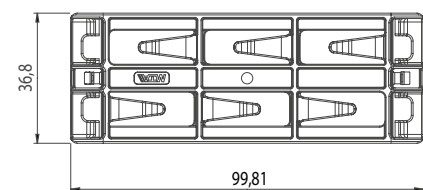
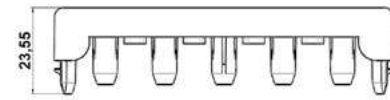
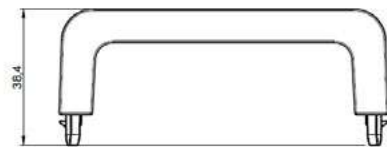


2

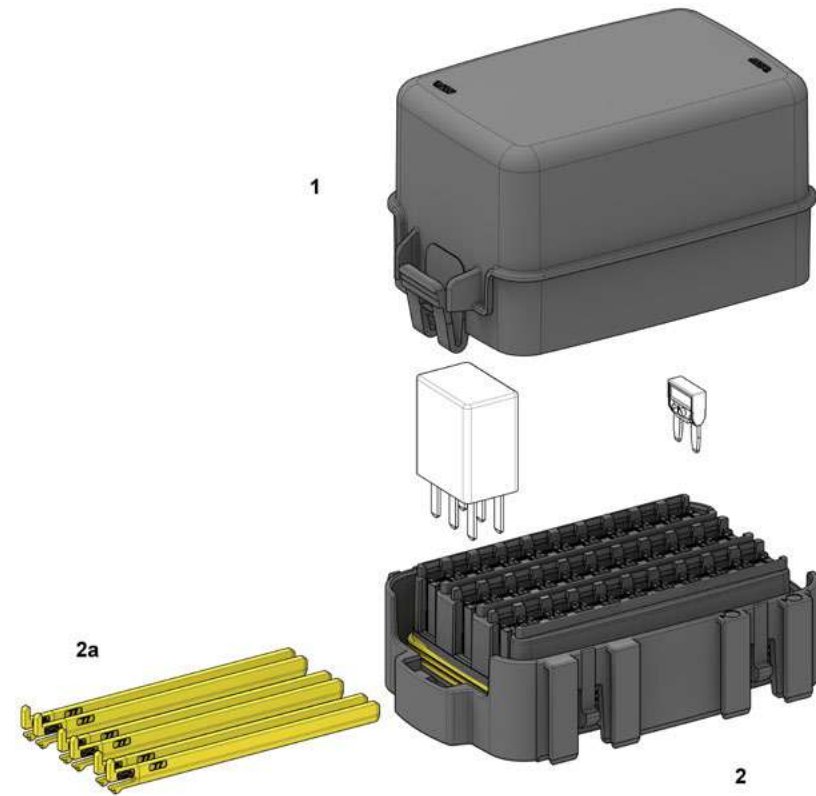


3

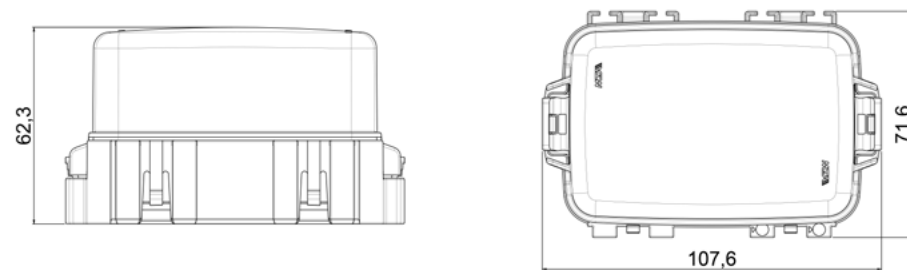
IMG	DESCRIPTION	MATERIAL	COLOUR	P/N BULK	MOQ
1	RELAY RETAINER FOR 0301450, 0301706 (FOR POSITIONS 2,3,4 ONLY), 0301520	PA66 - GF13	Grey	0301630	350
2	RELAY RETAINER FOR 0301450, 0301706 (FOR POSITIONS 2,3,4 ONLY), 0301520, 0301682, 0301680, 0301681	PA66 - GF13	Grey	0301376	180
3	CIRCUIT BREAKER GUIDE FOR 0301450, 0301706 (FOR POSITIONS 2,3,4 ONLY), 0301520, 0301682, 0301680, 0301681	PA66 - GF30	Grey	0301237	36



FOOTPRINT WATERPROOF MODULE



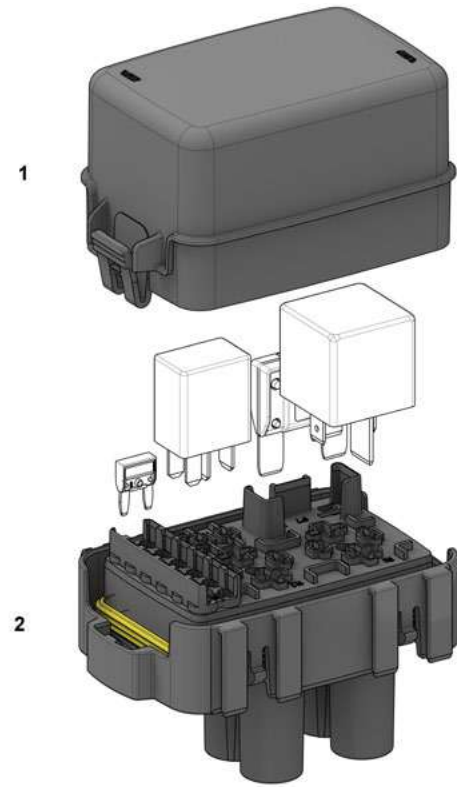
IMG	DESCRIPTION	MATERIAL	COLOUR	P/N BOX WITH S.LOCK	MOQ	P/N BULK	MOQ
1	COVER	PA66 GF30	Black	0101371	1	0301371	100
2	30 MINIVAL or 10 MICRORELAY WP FOOTPRINT MODULE	PA66 MD25	Black	0101370	1	0301370	60
2a	SECONDARY LOCK	PA 66	Yellow			0301372	1500



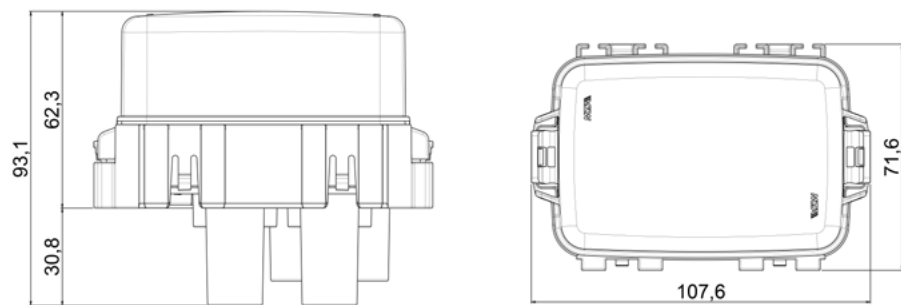
CONNECTIONS AND FIXINGS



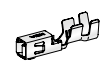
MINI/MAXIVAL - MAXI/MICRO RELAY WP MODULE



IMG	DESCRIPTION	MATERIAL	COLOUR	P/N BOX	MOQ	P/N BULK	MOQ
1	COVER	PA66 GF30	Black	0101371	1	0301371	100
2	6 MINIVAL + 1 MAXIVAL + 2 MAXIRELAY + 1 MICRORELAY MODULE	PA66 MD25	Black	0101491	1	0301491	60



CONNECTIONS AND FIXINGS



F280 WP WITH GASKETS/PLUG



F800 WP WITH GASKETS/PLUG



JPT WP



SPT WP



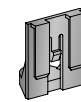
MPT WP



4551903 FOR MPT WP



4423721 FOR MPT WP

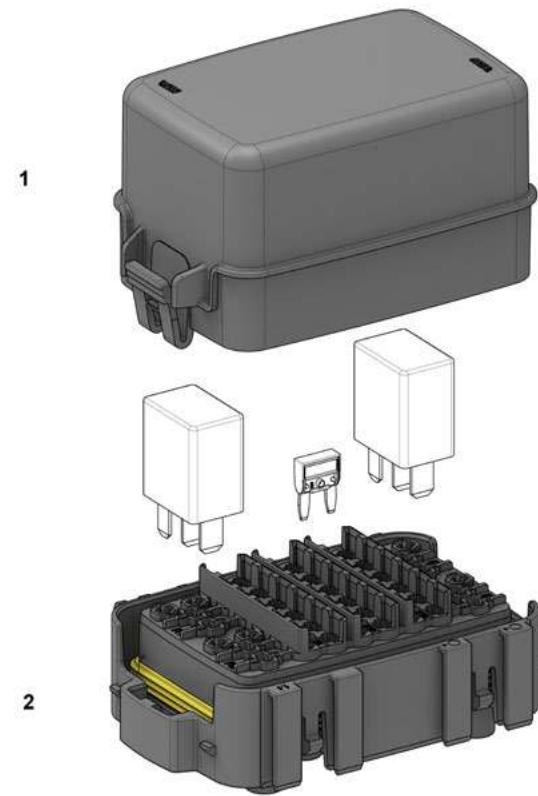


0300690

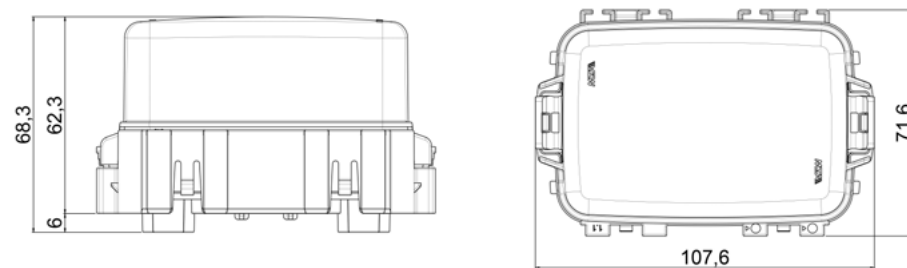


0300691

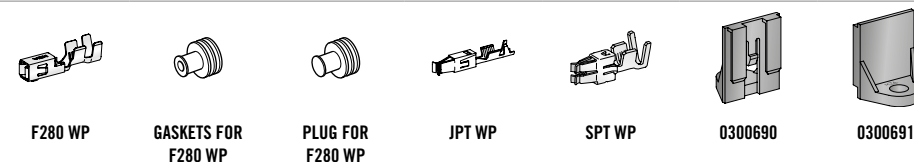
MINIVAL - MICRO RELAY WP MODULE



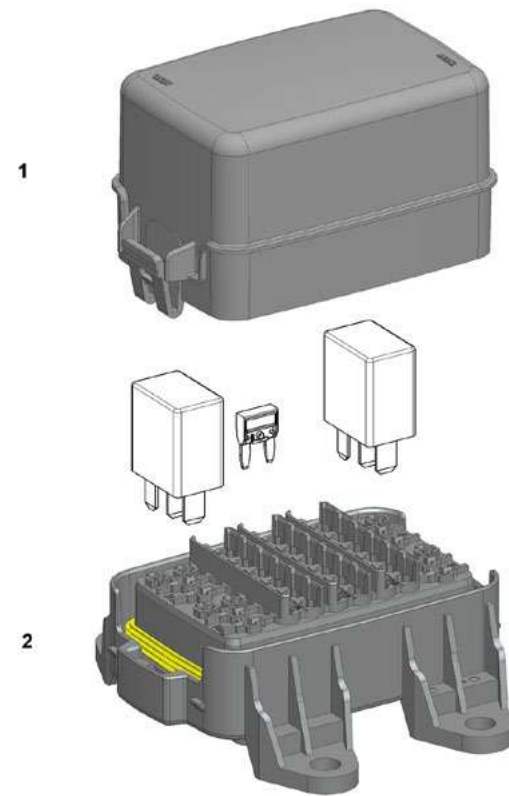
IMG	DESCRIPTION	MATERIAL	COLOUR	P/N BOX	MOQ	P/N BULK	MOQ
1	COVER	PA66 GF30	Black	0101371	1	0301371	100
2	18 MINIVAL + 4 MICRORELAY MODULE	PA66 MD25	Black	0101568	1	0301568	48



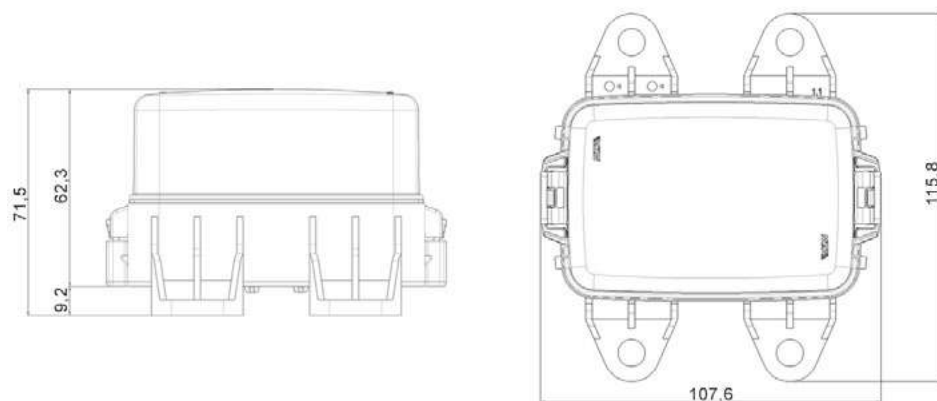
CONNECTIONS AND FIXINGS



MINIVAL - MICRO RELAY WP MODULE



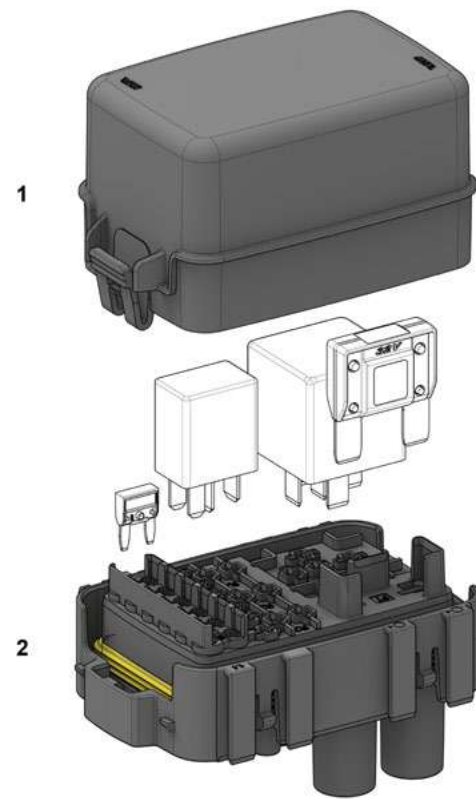
IMG	DESCRIPTION	MATERIAL	COLOUR	P/N BULK	MOQ
1	COVER	PA66 GF30	Black	0301371	100
2	18 MINIVAL + 4 MICRORELAY MODULE WITH MOUNTING BRACKETS	PA66 MD25	Black	0301373	60



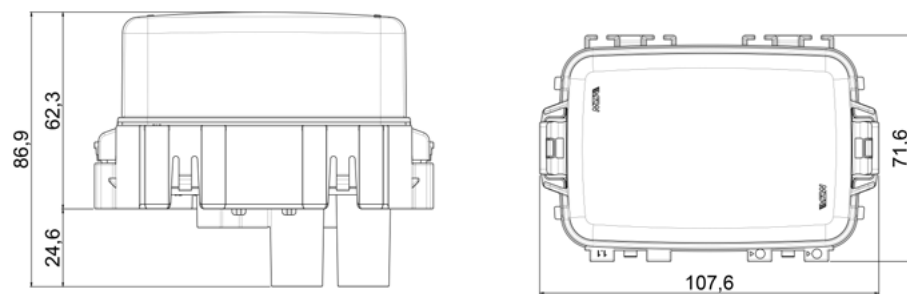
CONNECTIONS AND FIXINGS



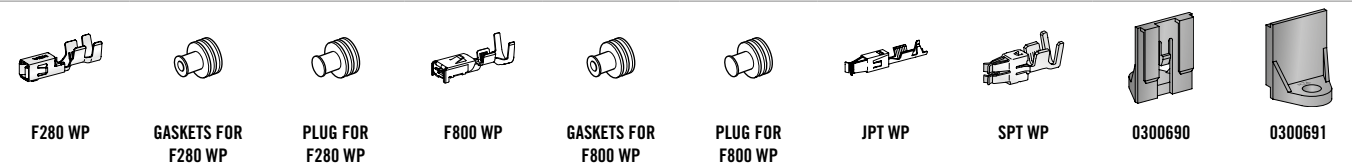
MINI/MAXIVAL - MINI/MICRO RELAY WP MODULE



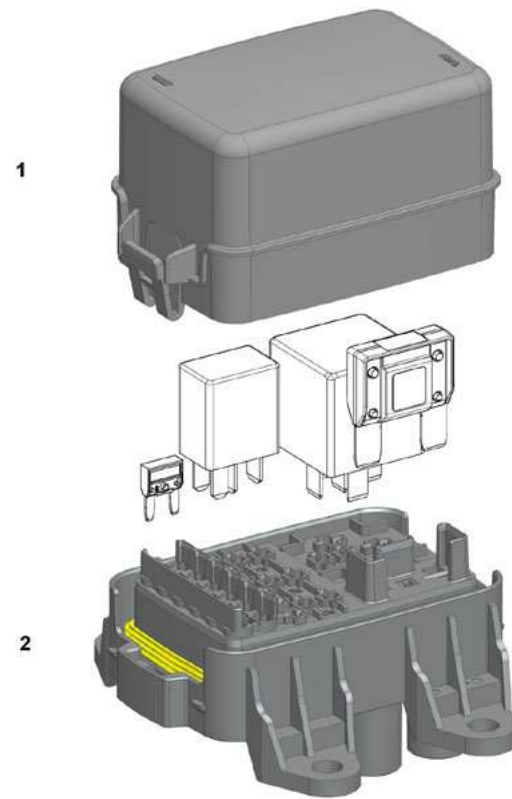
IMG	DESCRIPTION	MATERIAL	COLOUR	P/N BOX	MOQ	P/N BULK	MOQ
1	COVER	PA66 GF30	Black	0101371	1	0301371	100
2	6 MINIVAL + 1 MAXIVAL + 1 MINIRELAY + 3 MICRORELAY	PA66 MD25	Black	0101569	1	0301569	60



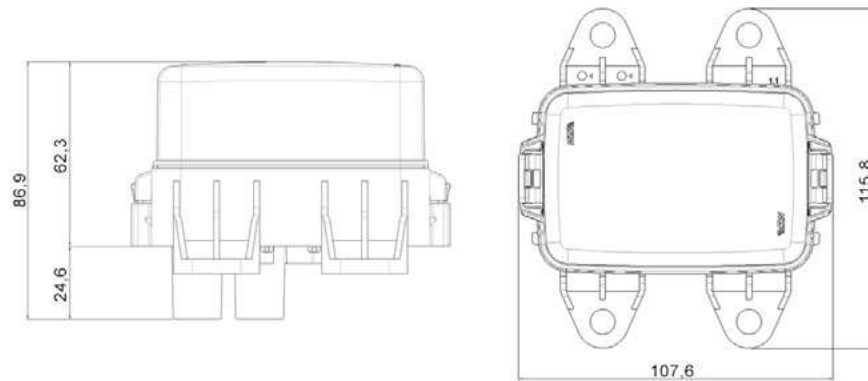
CONNECTIONS AND FIXINGS



MINI/MAXIVAL - MINI/MICRO RELAY WP MODULE



IMG	DESCRIPTION	MATERIAL	COLOUR	P/N BULK	MOQ
1	COVER	PA66 GF30	Black	0301371	100
2	6 MINIVAL + 1 MAXIVAL + 1 MINIRELAY + 3 MICRORELAY WITH MOUNTING BRACKETS	PA66 MD25	Black	0301374	45



CONNECTIONS AND FIXINGS



F280 WP



GASKETS FOR F280 WP



PLUG FOR F280 WP



F800 WP



GASKETS FOR F800 WP



PLUG FOR F800 WP

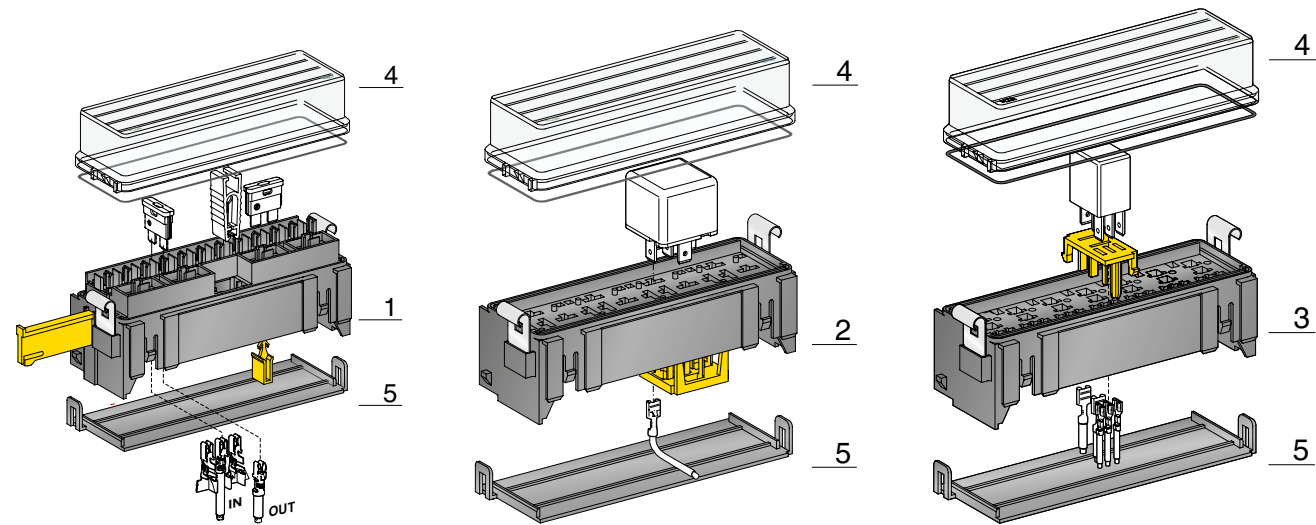


JPT WP

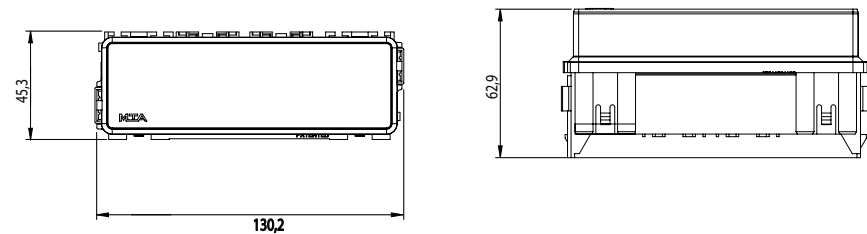


SPT WP

FUSE BOXES



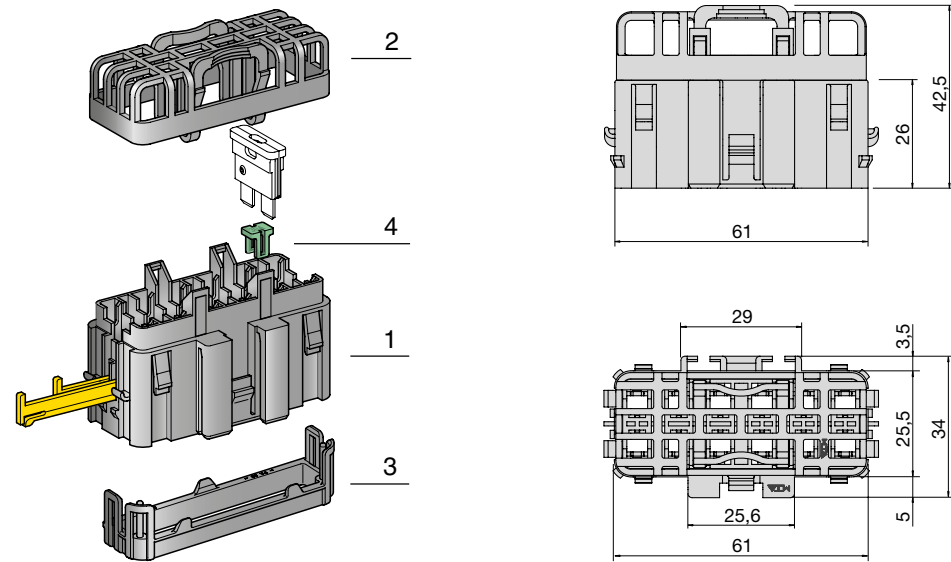
IMG	DESCRIPTION	WAY	MATERIAL	COLOUR	P/N KIT COVER, BRACKETS AND TERMINALS	INNER BOX PCS	MOQ	P/N BULK	MOQ
1	UNIVAL HOLDER	16	PA66 GF25	■ Black	0100655	1	16	0300650	36
2	MINI RELAY HOLDER	4	PA66 GF25	■ Black	0100665	1	16	0300660	72
3	MICRO RELAY HOLDER	7	PA66 GF25	■ Black	0100705	1	16	0300700	100
4	COVER WITH GASKET		PC	□ Natural				0300670	72
5	BOTTOM COVER		PA66	■ Black				0300680	72



CONNECTIONS AND FIXINGS

IMG	1+2+3	1+2+3	1	1	2	3	3	1+2+3
	0300690	0300691	UNI F630 BUS-BAR	UNI F630	FASTON F630 WITH LOCKING NOTCH	FASTON F480 PASSO 5	FASTON F630 THICKNESS 0,35	0300856

6-WAY U.P.L.



IMG	DESCRIPTION	WAY	MATERIAL	COLOUR	P/N BULK	MOQ
1	HOUSING	6	PA66 GF25	Black	0303006	600
2	COVER		PA66 GF30	Black	0303009	600
3	WIRE'S COVER		PA66	Black	0303008	1000
4	IDENTIFICATION INSERT 3 AMP		PBT GF20	Violet	0303003	500
	IDENTIFICATION INSERT 5 AMP		PBT GF20	Beige	0303005	500
	IDENTIFICATION INSERT 7,5 AMP		PBT GF20	Brown	0303007	500
	IDENTIFICATION INSERT 10 AMP		PBT GF20	Red	0303010	500
	IDENTIFICATION INSERT 15 AMP		PBT GF20	Blue	0303015	500
	IDENTIFICATION INSERT 20 AMP		PBT GF20	Yellow	0303020	500
	IDENTIFICATION INSERT 25 AMP		PBT GF20	White	0303025	500
	IDENTIFICATION INSERT 30 AMP		PBT GF20	Green	0303030	500

CONNECTIONS AND FIXINGS



0300949



0300690

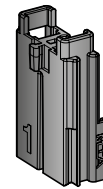
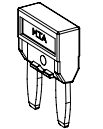


0300691

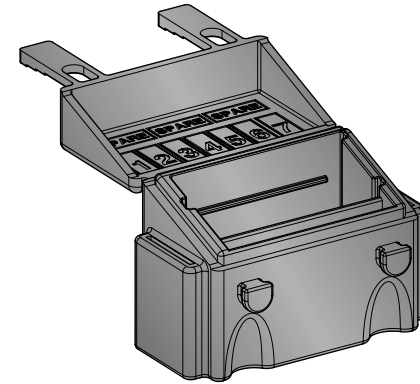

 UNI F630
BUS-BAR


UNI F630

SML

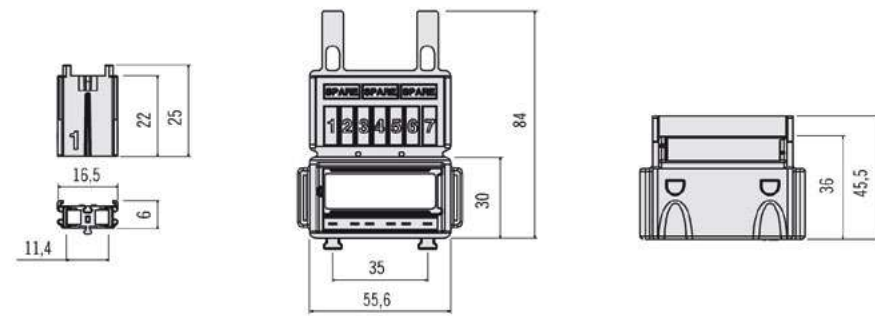


1



2

IMG	DESCRIPTION	WAY	MATERIAL	COLOUR	P/N KIT WITH TERMINALS	MOQ	P/N BULK	MOQ
1	HOUSING	1	PA66 GF30	■ Black			0301420	2800
2	MODULE FOR MINIVAL	7	EPDM-60	■ Black			0301430	250
	MODULE FOR MINIVAL	7	EPDM-60-D15	■ Black			0301431	400
	KIT WITH TERMINALS				0301435	1		

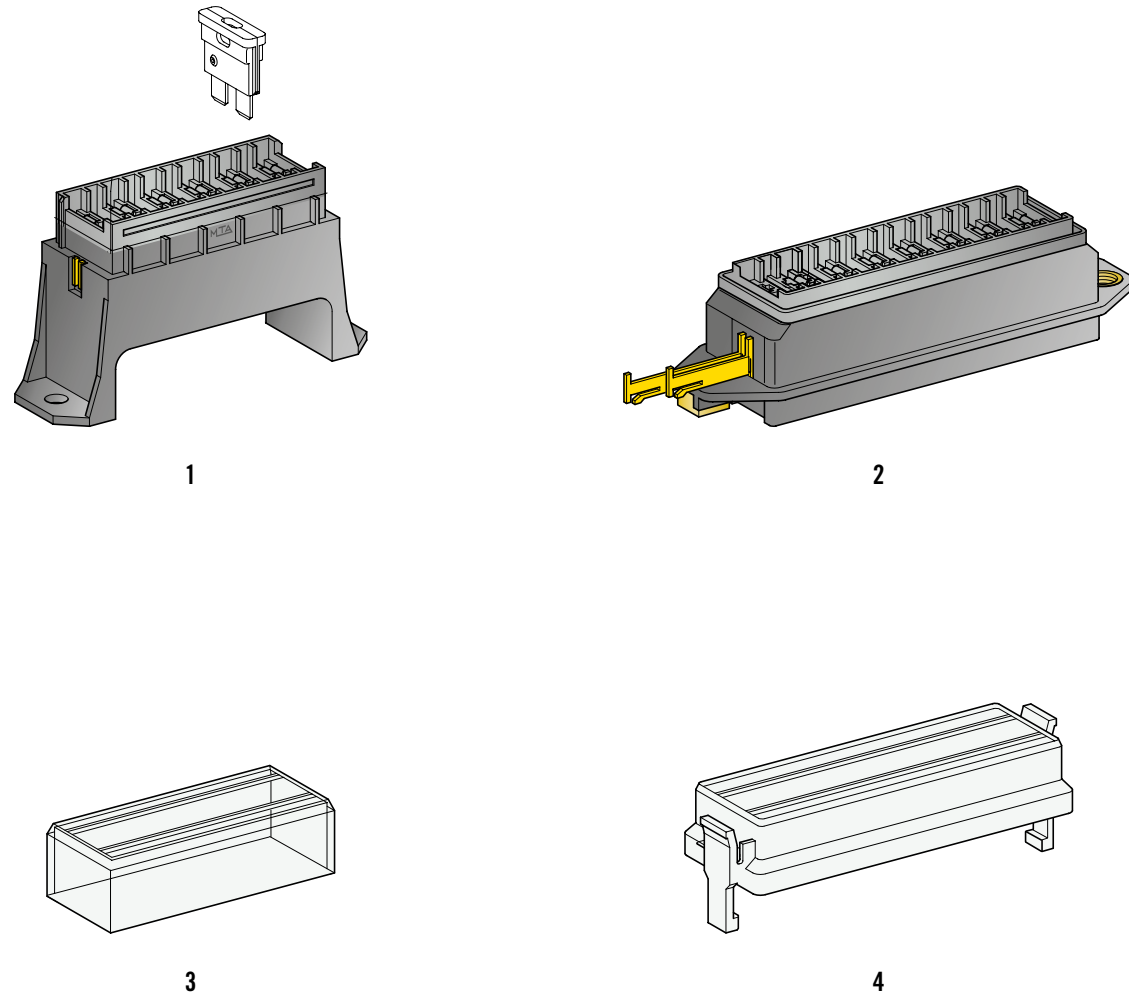


CONNECTIONS AND FIXINGS

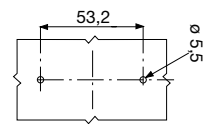


F280

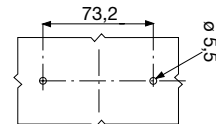
AXIAL EXITS



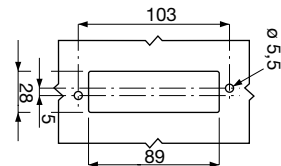
IMG	DESCRIPTION	WAY	MATERIAL	COLOUR	P/N KIT WITH COVER AND TERMINALS	INNER BOX PCS	MOQ	P/N BULK	MOQ
1	HOUSING WITH TERMINALS	4	PA66 GF30	■ Black	0100540	1	24	0300540	500
	HOUSING W/OUT TERMINALS	4	PA66 GF30	■ Black				0300541	500
2	HOUSING WITH TERMINALS	6	PA66 GF30	■ Black	0100560	1	12	0300560	500
	HOUSING W/OUT TERMINALS	6	PA66 GF30	■ Black				0300561	500
3	COVER	4	PC	□ Natural				0300542	500
	COVER	6	PC	□ Natural				0300562	500
4	COVER WITH GASKET	8	PA 12	□ Natural				0300582	150



4 WAY

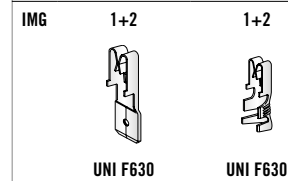


6 WAY



8 WAY

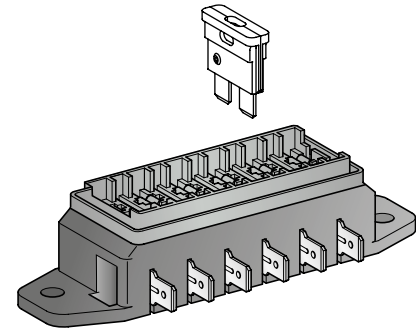
CONNECTIONS AND FIXINGS



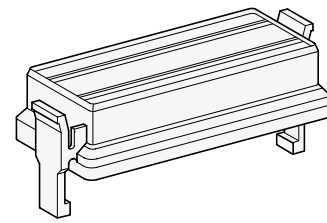
UNI F630

UNI F630

LATERAL EXITS

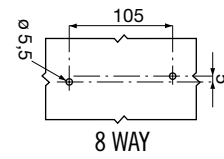
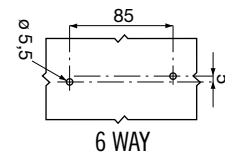
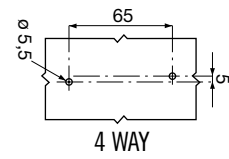


1

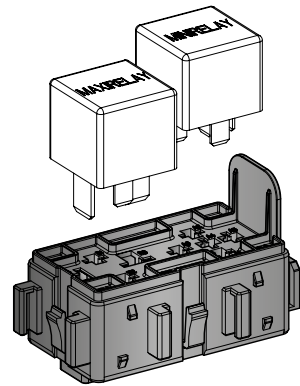


2

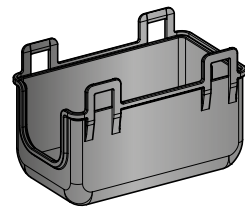
IMG	DESCRIPTION	WAY	MATERIAL	COLOUR	P/N KIT WITH COVER AND TERMINALS	INNER BOX PCS	MOQ	P/N BULK	MOQ
1	HOUSING WITH TERMINALS	4	PA66 GF30	■ Black	0100610	1	24	0300610	500
	HOUSING WITH TERMINALS	6	PA66 GF30	■ Black	0100600	1	12	0300600	400
	HOUSING WITH TERMINALS	8	PA66 GF30	■ Black	0100590	1	9	0300590	300
2	COVER WITH GASKET	4	PA12	□ Natural				0300612	500
	COVER WITH GASKET	6	PA12	□ Natural				0300602	100
	COVER WITH GASKET	8	PA12	□ Natural				0300582	150



RELAY HOLDER

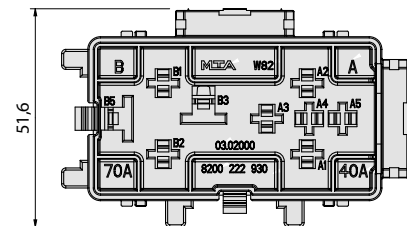
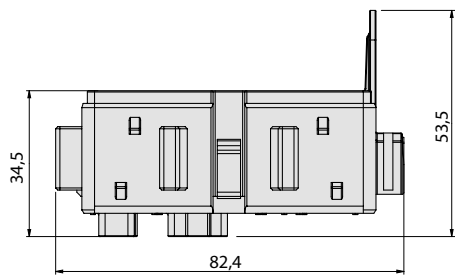


1



2

IMG	DESCRIPTION	WAY	MATERIAL	COLOUR	P/N BULK	MOQ
1	HOLDER FOR MAXI AND MINI RELAY	2	PBT GF20	Black	0302000	240
2	UPPER AND BOTTOM COVER		PP	Black	0302001	240



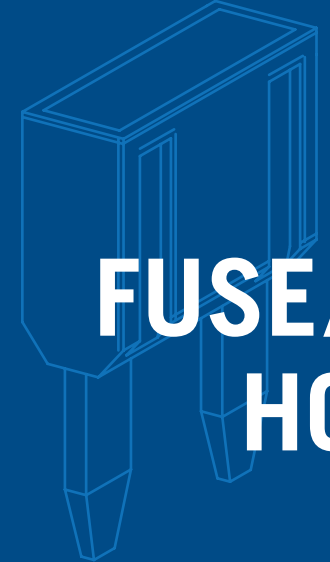
CONNECTIONS AND FIXINGS



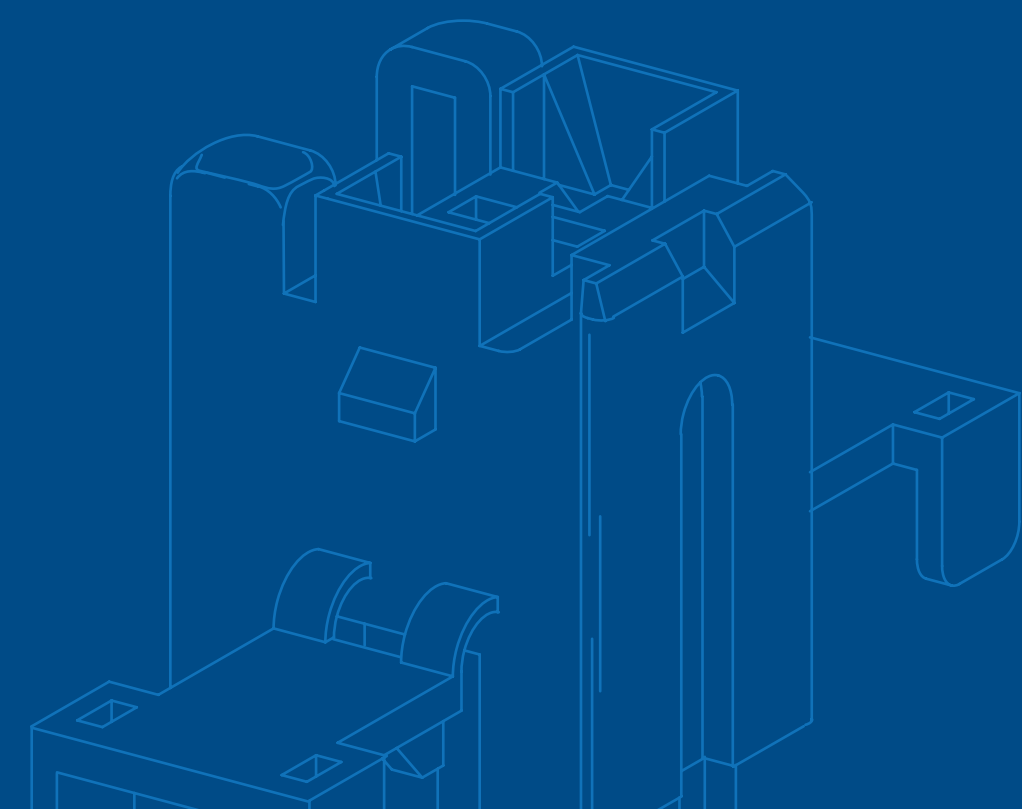
L-TYPE F950



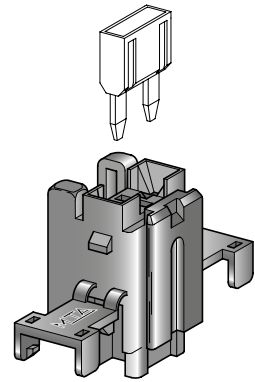
NG1 6.3



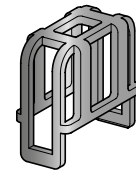
FUSE/RELAY HOLDERS



MINIVAL® IN-LINE HOLDER

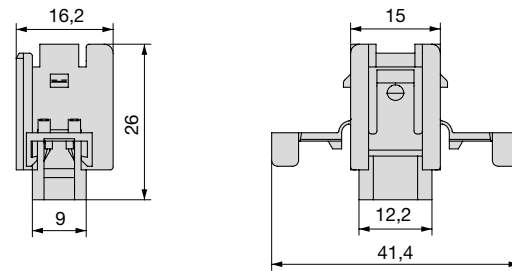


1

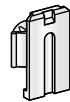


2

IMG	DESCRIPTION	WAY	MATERIAL	COLOUR	P/N BOX	MOQ	P/N BULK	MOQ	P/N BULK	MOQ
1	HOUSING	1	PA66	Black	0101400	5	0301400	200	0301410	2000
2	COVER		PA66	Black	0100416	5			0300416	2000



CONNECTIONS AND FIXINGS

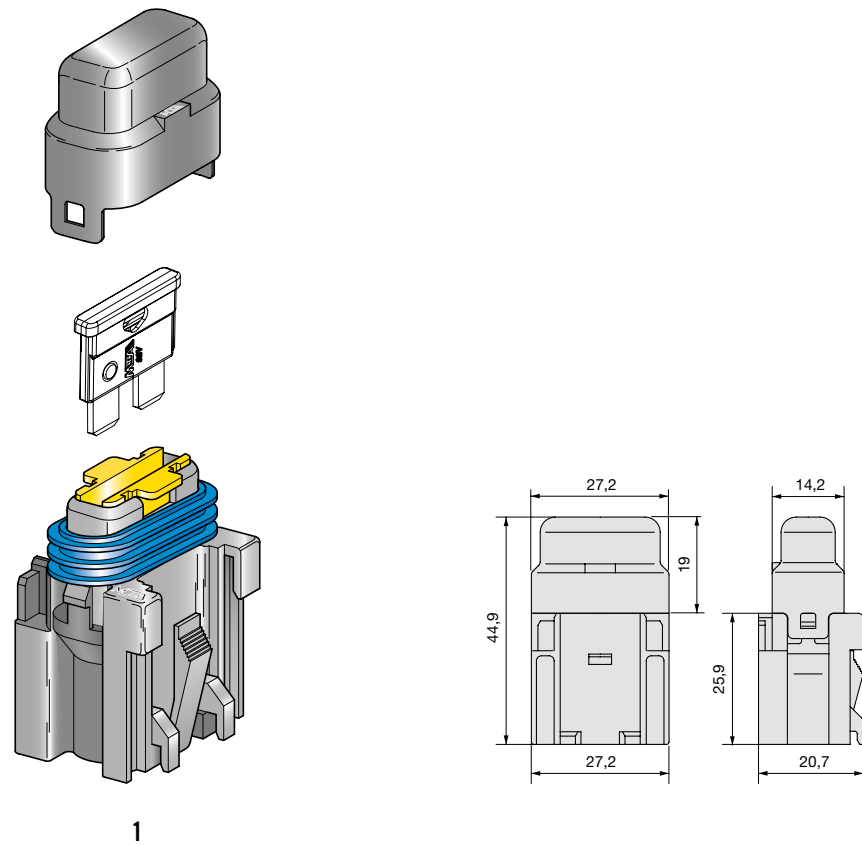


0300395
0300398



JPT

SPLASH PROOF UNIVAL® HOLDER



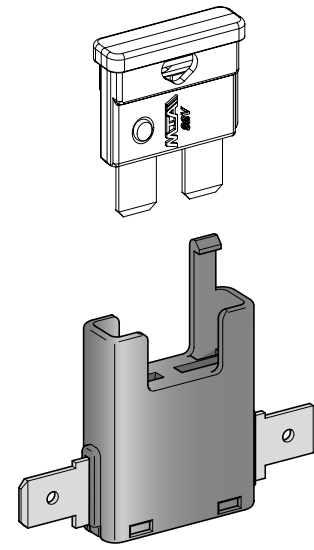
1

IMG.	DESCRIPTION	WAY	MATERIAL	COLOUR	P/N BOX	MOQ	P/N BOX	MOQ	P/N BULK	MOQ
1	S.P. HOLDER+ COVER	1	PA66	Black					0301301	1200
	+ SECONDARYLOCK 1 AMP		PBT GF20	Black						
	+ SECONDARYLOCK 5 AMP		PBT GF20	Beige			0302305	100	0301305	1200
	+ SECONDARYLOCK 7,5 A		PBT GF20	Brown					0301307	1200
	+ SECONDARYLOCK 10 AMP		PBT GF20	Red			0302310	100	0301310	1200
	+ SECONDARYLOCK 15 AMP		PBT GF20	Blue			0302315	100	0301315	1200
	+ SECONDARYLOCK 20 AMP		PBT GF20	Yellow			0302320	100	0301320	1200
	+ SECONDARYLOCK 25 AMP		PBT GF20	Natural			0302325	100	0301325	1200
	+ SECONDARYLOCK 30 AMP		PBT GF20	Green			0302330	100	0301330	1200
	KIT WITH TERMINALS GASKET AND FIXING PLATE				3050153	1				

CONNECTIONS AND FIXINGS

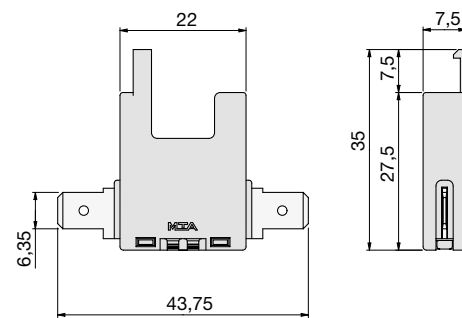


UNIVAL® NKA HOLDER

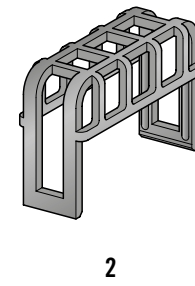
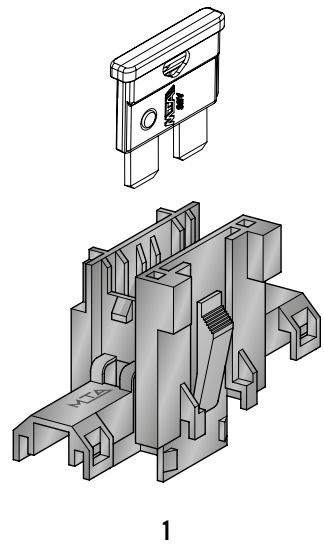


1

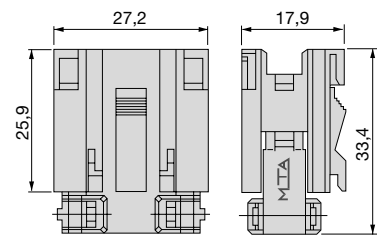
IMG	DESCRIPTION	WAY	MATERIAL	COLOUR	P/N BULK	MOQ	P/N BULK	MOQ
1	NKA FUSEHOLDER	1	PA66	Black	0100345	50	0300345	2000



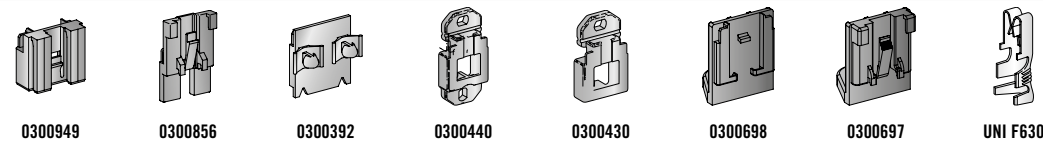
UNIVAL® HOLDER



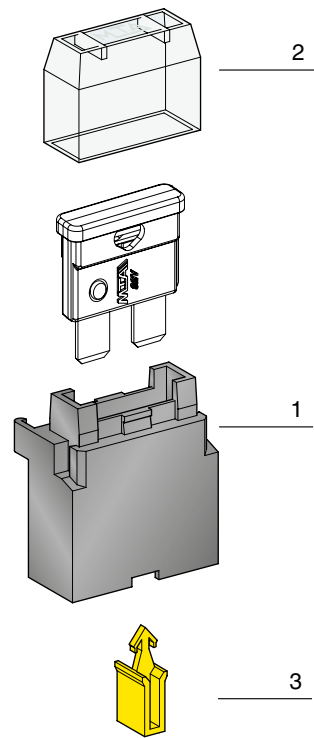
IMG	DESCRIPTION	WAY	MATERIAL	COLOUR	P/N BOX	MOQ	P/N BULK	MOQ
1	HOLDER	1	PA66	Black	0100400	25	0300400	500
	HOLDER	1	PA66	Beige				
	HOLDER	1	PA66	Brown				
	HOLDER	1	PA66	Red				
	HOLDER	1	PA66	Blue				
	HOLDER	1	PA66	Yellow				
	HOLDER	1	PA66	White				
	HOLDER	1	PA66	Green				
2	COVER		PA66 GF30	Black	0100415	25	0300415	1000



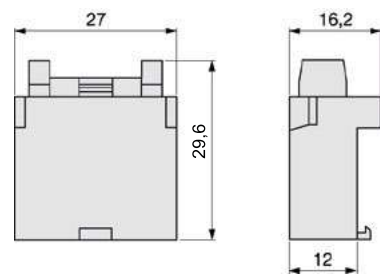
CONNECTIONS AND FIXINGS



UNIVAL® HOLDER



IMG	DESCRIPTION	WAY	MATERIAL	COLOUR	P/N BOX	INNER BOX PCS	MOQ	P/N BULK	MOQ
1	HOLDER WITH TERMINALS	1	PA66	■ Black	0100351	50	250	0300351	1250
	HOLDER WITH SECONDARY LOCK WITHOUT TERMINALS	1	PA66	■ Black				0300354	1000
	HOLDER WITH TERMINALS AND CABLES	1	PA66	■ Black	0100350		25		
2	COVER		PC	□ Clear	0100359	25	250	0300359	500
3	SECONDARY LOCK		PA66	■ Yellow				0300357	250
	KIT WITH COVER, TERMINALS FIXING PLATE AND EXTRACTOR				0100353 (Blister)	1	20		



CONNECTIONS AND FIXINGS



0300352

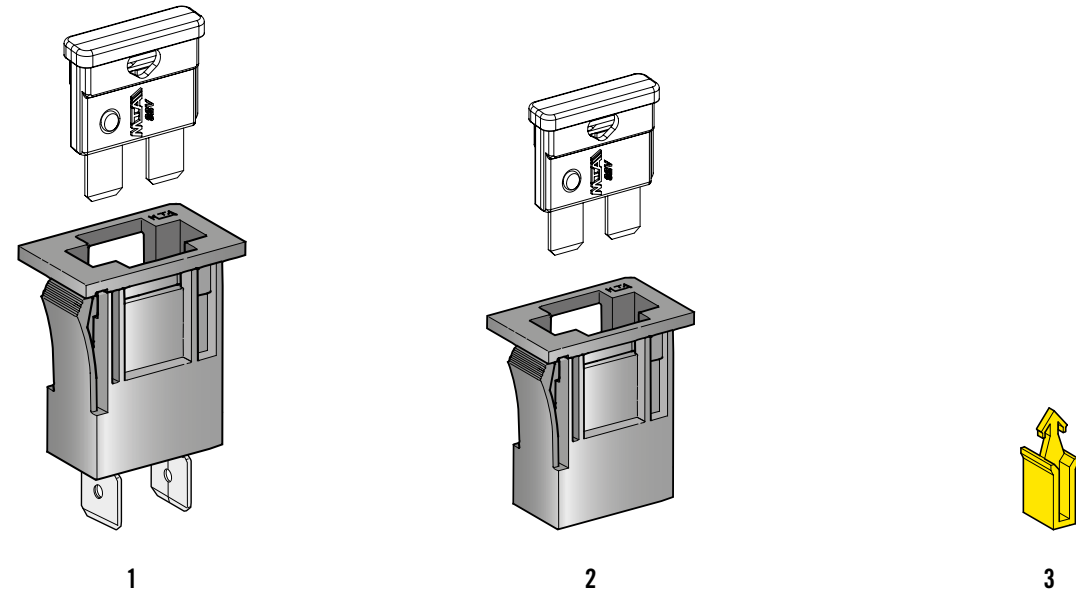


UNI F630

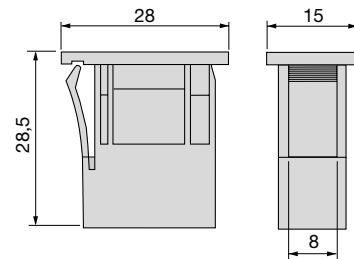


UNI F630

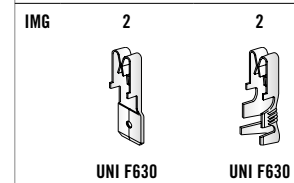
UNIVAL® INSERTABLE HOLDER



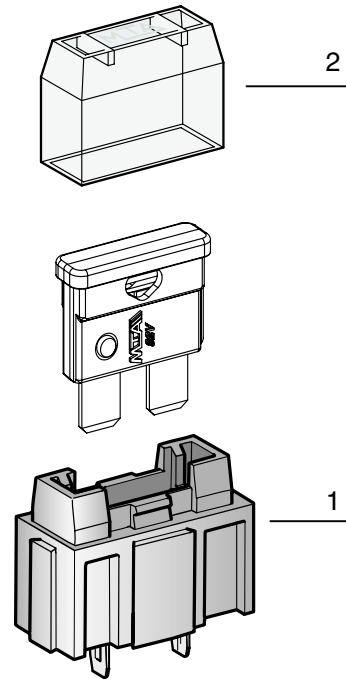
IMG	DESCRIPTION	WAY	MATERIAL	COLOUR	P/N BULK	MOQ
1	HOLDER WITH TERMINALS	1	PA66 GF25	Black	0300330	1000
2	HOLDER WITHOUT TERMINALS	1	PA66 GF25	Black	0300331	1000
3	SECONDARY LOCK		PA66	Yellow	0300357	250



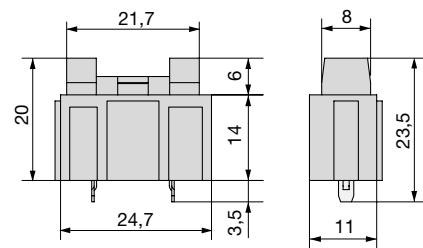
CONNECTIONS AND FIXINGS



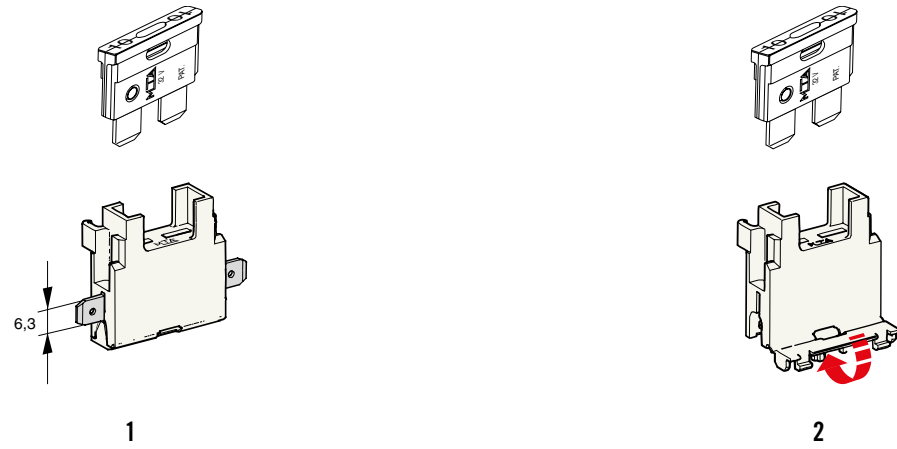
UNIVAL® PCB HOLDER



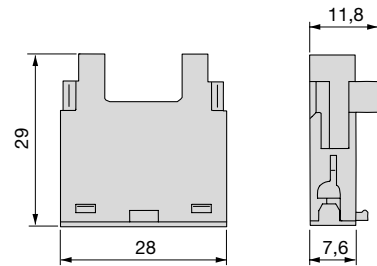
IMG	DESCRIPTION	WAY	MATERIAL	COLOUR	P/N BOX	INNER BOX PCS	MOQ	P/N BULK	MOQ
1	HOLDER	1	PA66 GF30	■ Black	0100420		5	0300420	2000
2	COVER	1	PC	□ Natural	0100359	25	250	0300359	500



UNIVAL® HOLDER



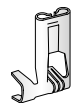
IMG	DESCRIPTION	WAY	COLOUR	MATERIAL	P/N BULK	MOQ
1	IN LINE FUSEHOLDER WITH TERMINALS	1	☐ NATURAL	PA66	0300341	1000
2	IN LINE FUSEHOLDER WITHOUT TERMINALS	1	☐ NATURAL	PA66	0300342	2500



CONNECTIONS AND FIXINGS

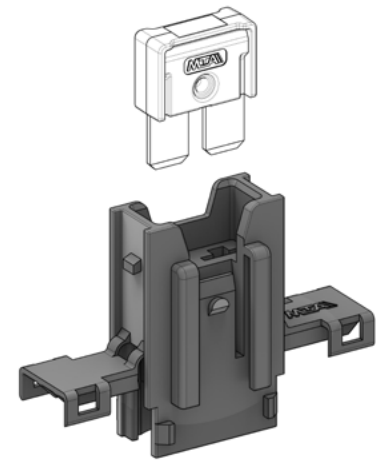
IMG

2

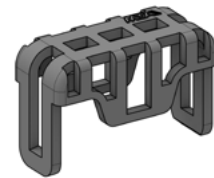


FASTON F630
FLAG

MAXICOMPACT® HOLDER

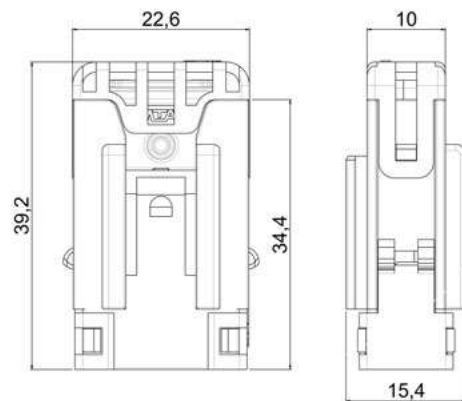


1



2

IMG	DESCRIPTION	WAY	MATERIAL	COLOUR	P/N BOX	MOQ
1	HOLDER	1	PA66	■ Black	0101881	40
2	COVER	1	PA66	■ Black	0101882	50



CONNECTIONS AND FIXINGS

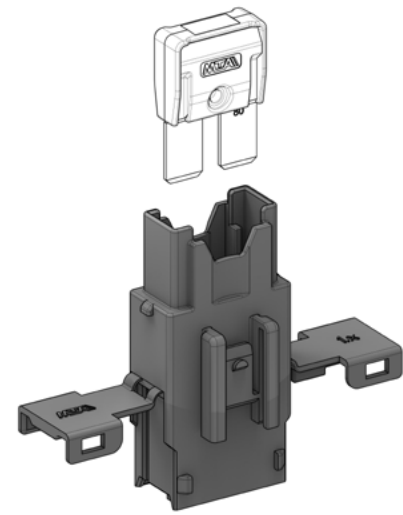


F630E



0300395
0300398

M8COMPACT® HOLDER

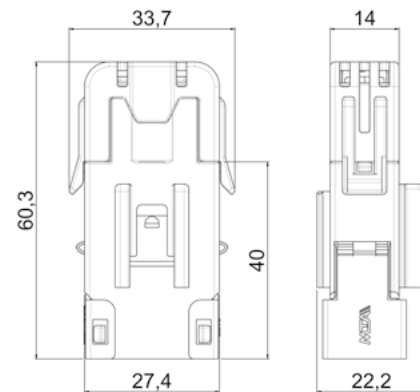


1



2

IMG	DESCRIPTION	WAY	MATERIAL	COLOUR	P/N BOX	MOQ
1	HOLDER	1	PA66	Black	0101883	50
2	COVER	1	PA66	Black	0101884	50



CONNECTIONS AND FIXINGS

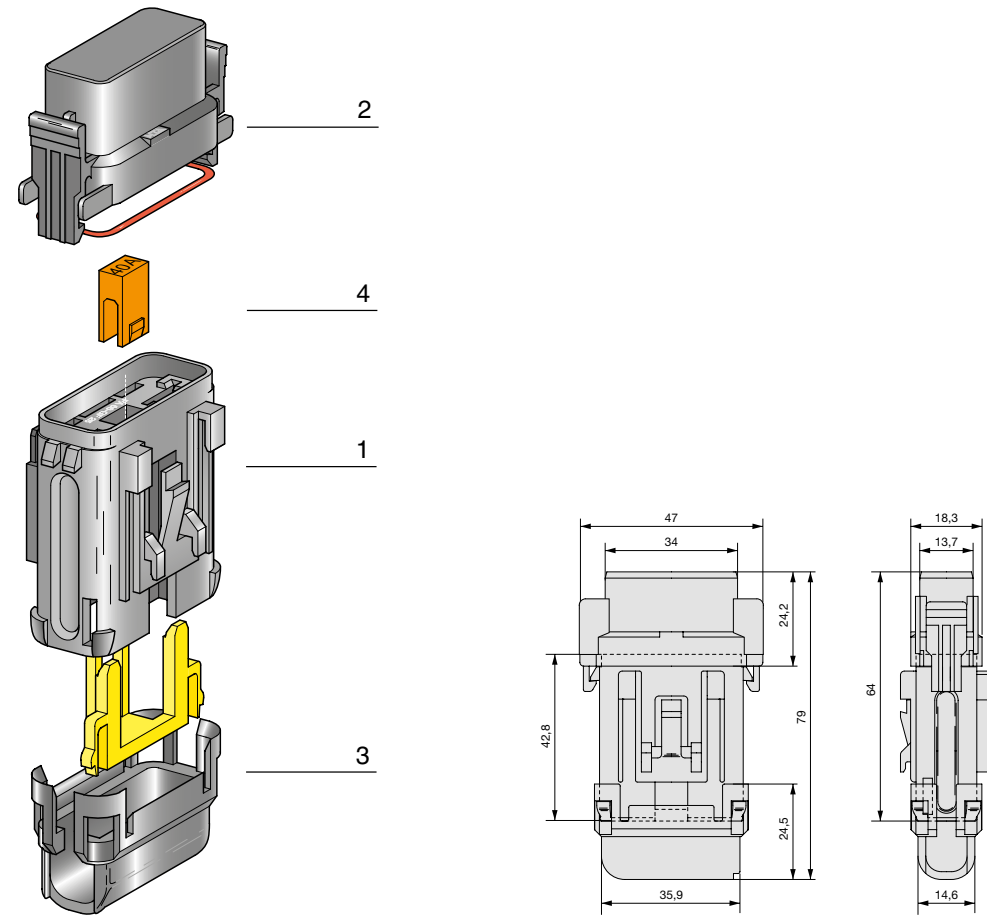


F800
WITH CLIP



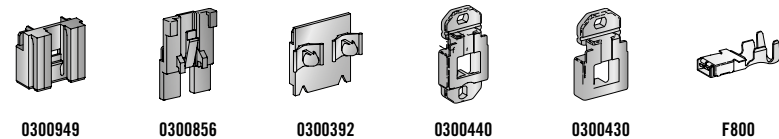
0300395
0300398

SPLASH PROOF MAXIVAL® HOLDER

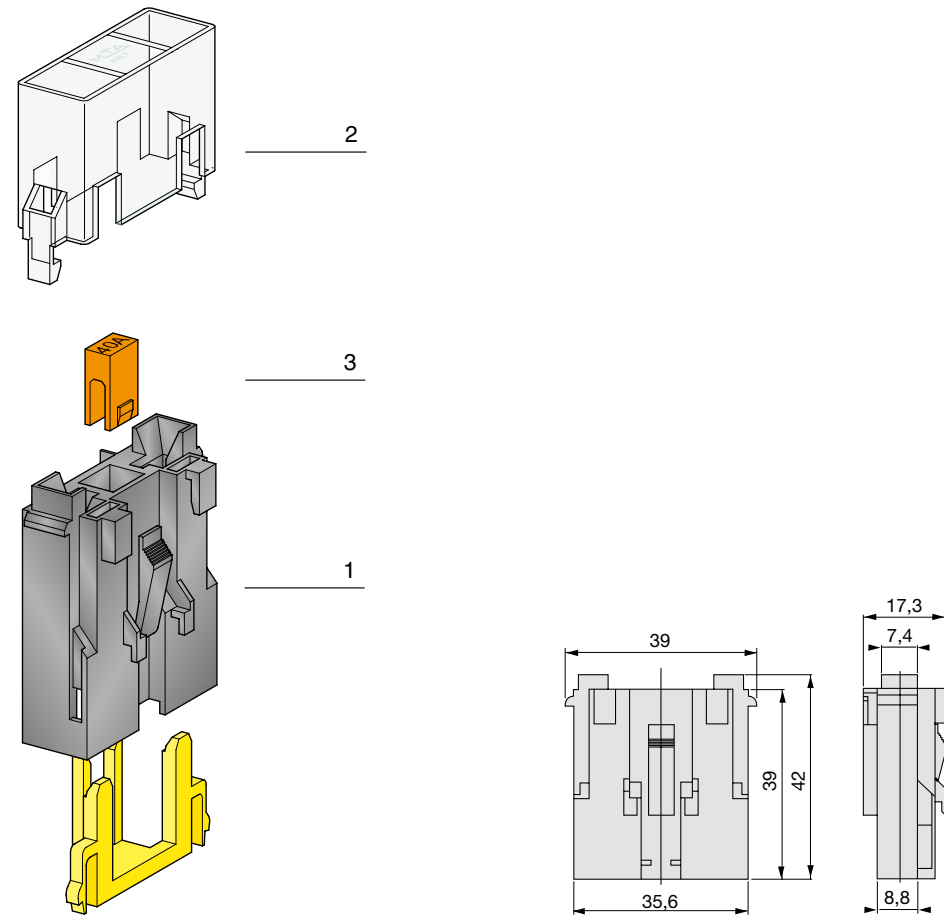


IMG	DESCRIPTION	WAY	MATERIAL	COLOUR	P/N BULK	MOQ	P/N BULK	MOQ
1	HOLDER + SECONDARYLOCK	1	PA66 GF25 PA66 GF30	Black Yellow	0321000	250	0301000	800
2	COVER WITH GASKET		PA66	Black	0321210	500	0301210	1500
3	BOTTOM COVER		PA66	Black	0321200	250	0301200	1500
4	IDENTIFICATION INSERT 30 AMP		PBT GF20	Green			0301030	1500
	IDENTIFICATION INSERT 40 AMP		PBT GF20	Orange			0301040	1500
	IDENTIFICATION INSERT 50 AMP		PBT GF20	Red			0301050	1500
	IDENTIFICATION INSERT 60 AMP		PBT GF20	Blue			0301060	1500
	IDENTIFICATION INSERT 70 AMP		PBT GF20	Beige			0301070	1500
	IDENTIFICATION INSERT 80 AMP		PBT GF20	Natural			0301080	1500
	KIT WITH TERMINALS				0101005	10		

CONNECTIONS AND FIXINGS

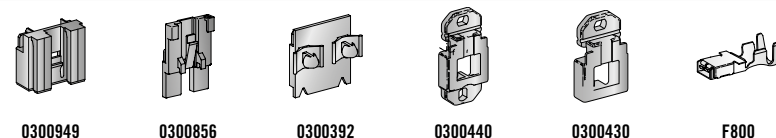


MAXIVAL® HOLDER



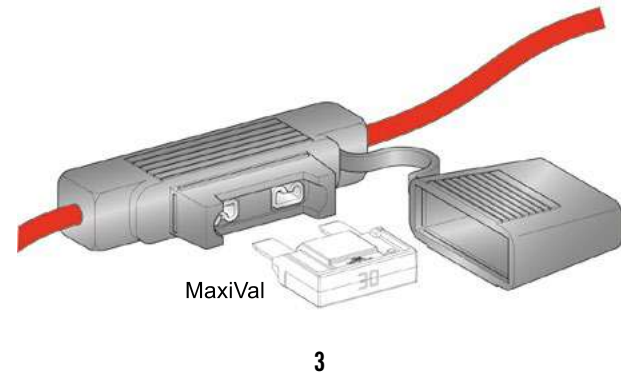
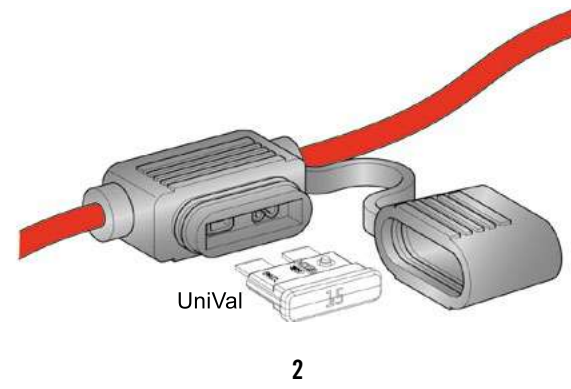
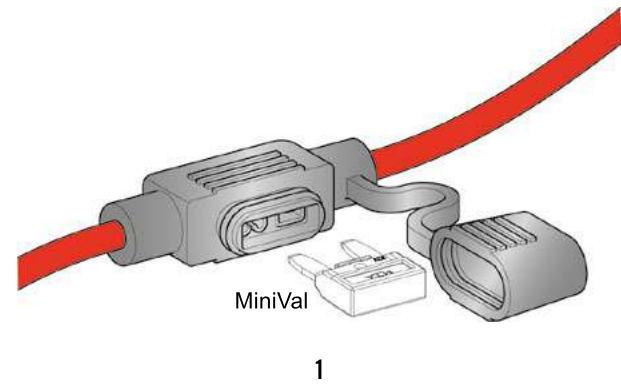
IMG	DESCRIPTION	WAY	MATERIAL	COLOUR	P/N BOX	MOQ	P/N BULK	MOQ
1	HOLDER + SECONDARY LOCK	1	PA66 GF25 PA66 GF30	■ Black ■ Yellow	0100390	10	0300390	1200
2	COVER		PC	□ Natural	0100391	10	0300391	650
3	IDENTIFICATION INSERT 30 AMP		PBT GF20	■ Green			0301030	1500
	IDENTIFICATION INSERT 40 AMP		PBT GF20	■ Orange			0301040	1500
	IDENTIFICATION INSERT 50 AMP		PBT GF20	■ Red			0301050	1500
	IDENTIFICATION INSERT 60 AMP		PBT GF20	■ Blue			0301060	1500
	IDENTIFICATION INSERT 70 AMP		PBT GF20	■ Beige			0301070	1500
	IDENTIFICATION INSERT 80 AM		PBT GF20	□ Natural			0301080	1500
	KIT WITH TERMINALS				3001001	25		

CONNECTIONS AND FIXINGS



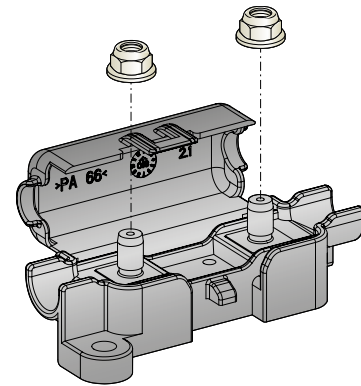
0300949 0300856 0300392 0300440 0300430 F800

WATERPROOF FUSE HOLDER

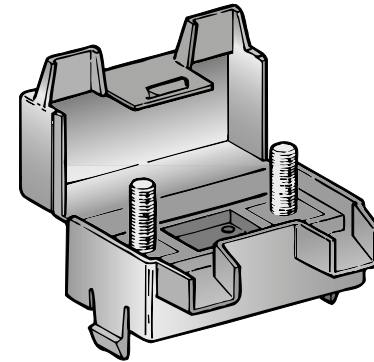


IMG	DESCRIPTION	P/N BOX	MOQ	P/N BULK	MOQ
1	WATERPROOF MINIVAL FUSEHOLDER WITH CABLE 4 mm ² L = 140 mm	0100335	5		
2	WATERPROOF UNIVAL FUSEHOLDER WITH CABLE 4 mm ² L = 138 mm	0100336	5	0300336	500
3	WATERPROOF MAXIVAL FUSEHOLDER WITH CABLE 8 mm ² L = 132 mm	0100337	1		

MIDIVAL® HOLDER

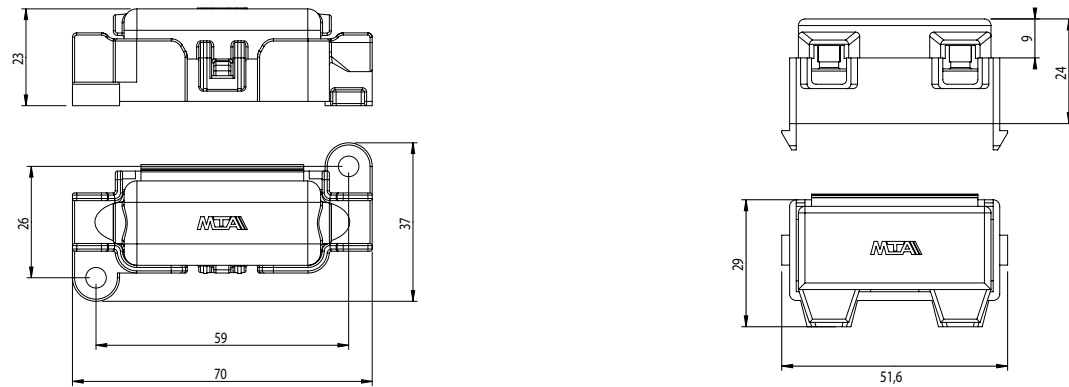


1



2

IMG	DESCRIPTION	WAY	MATERIAL	COLOUR	P/N BOX	MOQ	P/N BULK	MOQ
1	MIDIVAL HOLDER BOLT TYPE WITH NUTS	1	PA66	■ Black	0100360	50	0300360	200
2	MIDIVAL HOLDER CLIP TYPE WITHOUT NUTS	1	PA66	■ Black			0300370	200
	MIDIVAL HOLDER CLIP TYPE WITH NUTS	1	PA66	■ Black	0100370	5		

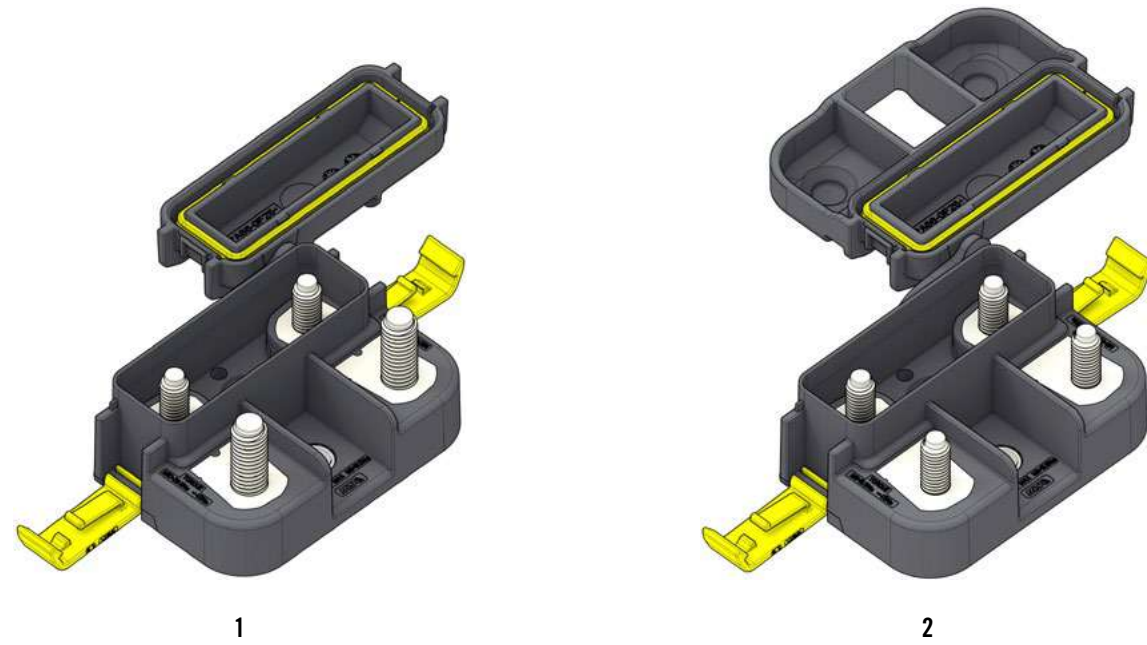


CONNECTIONS AND FIXINGS



MIDI

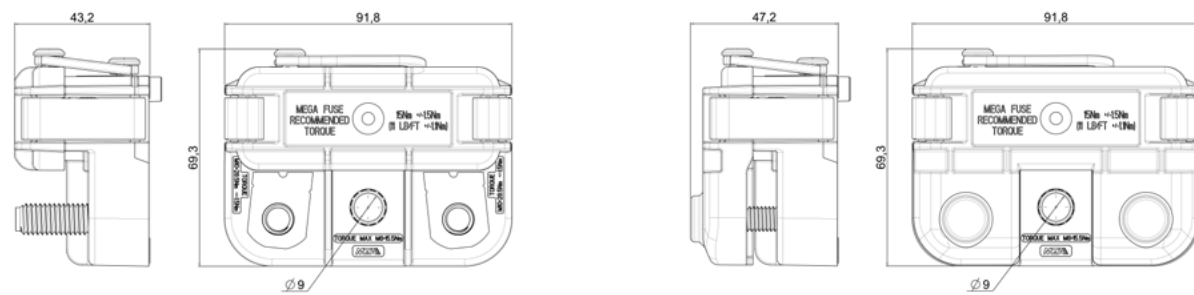
WATERPROOF MEGAVAL® HOLDER



1

2

IMG	DESCRIPTION	WAY	MATERIAL	COLOUR	P/N BULK	MOQ
1	WATERPROOF MEGAVAL HOLDER	1	PA66 GF25	Black	0301502	36
2	WATERPROOF MEGAVAL HOLDER WITH EXTENDED COVER	1	PA66 GF25	Black	0301152	36

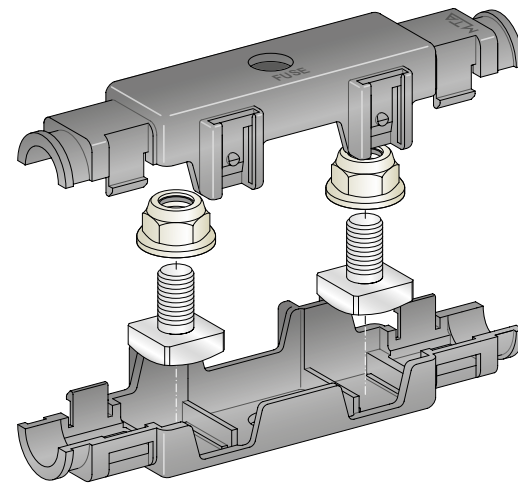


CONNECTIONS AND FIXINGS



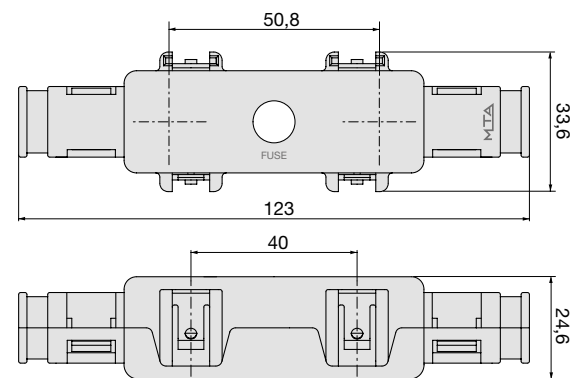
TUBULAR

MEGAVAL® HOLDER

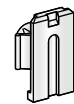


1

IMG	DESCRIPTION	WAY	MATERIAL	COLOUR	P/N	INNER BOX PCS	MOQ
1	MEGAVAL HOLDER KIT WITH TERMINALS	1	PA66 GF30	■ Black	0300380 0100380	1	130 9



CONNECTIONS AND FIXINGS



0300395
0300398

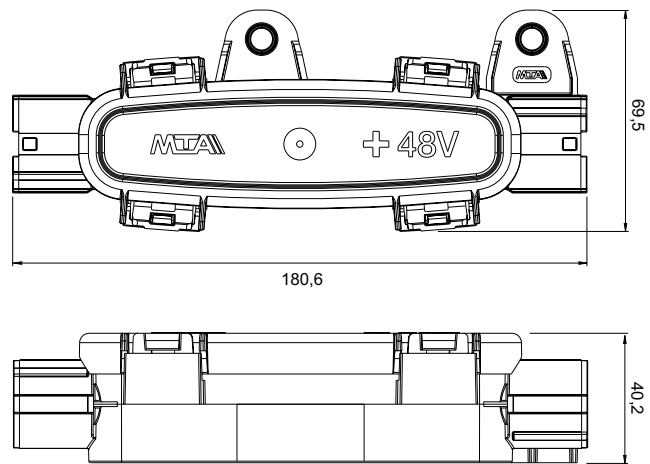


MEGA L34

MEGAVAL® HOLDER 48 V WP



IMG	DESCRIPTION	WAY	MATERIAL	COLOUR	P/N	MOQ
1	MEGAVAL HOLDER 48 V WATERPROOF	1	PA6 GF25	Blue	0300070	120
2	COVER	1	PA6 GF25	Blue	0300071	104

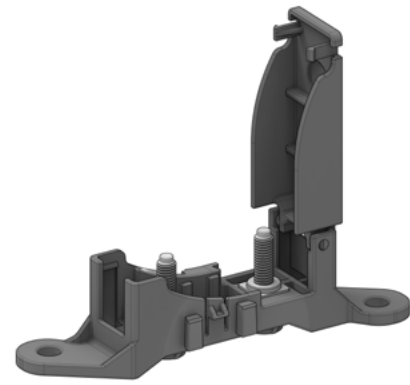


CONNECTIONS AND FIXINGS

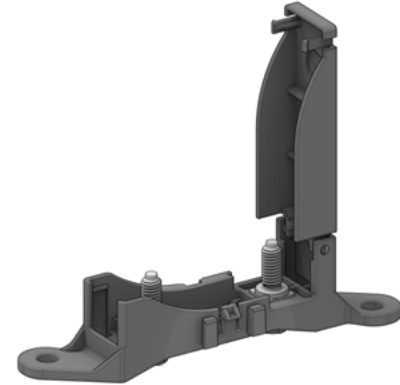


SPECIAL TYPE L37

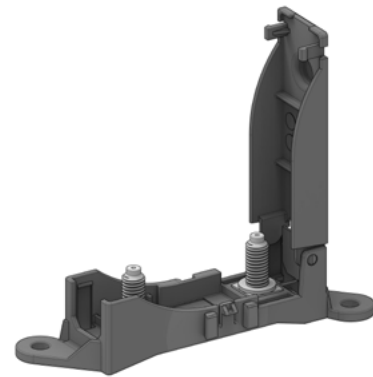
MIDIVAL®-MEGACOMPACT®-MEGAVAL® HOLDER



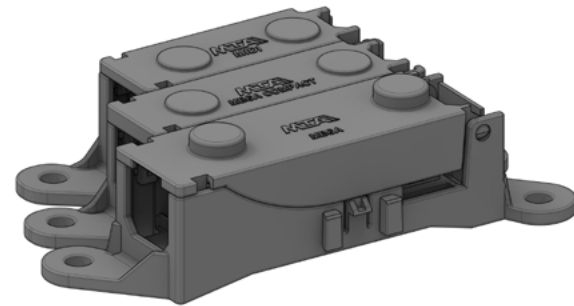
1



2

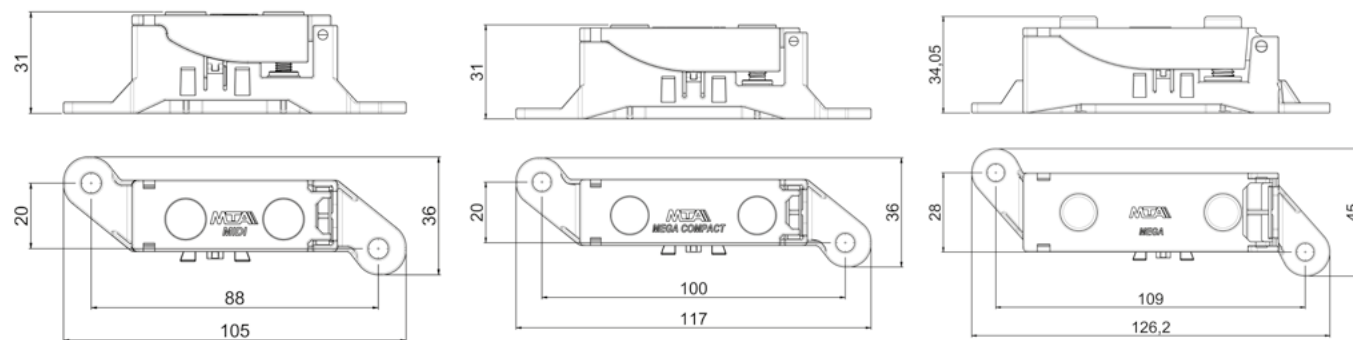


3



EXAMPLE OF A MULTIPLE FUSE BLOCK

IMG	DESCRIPTION	WAY	MATERIAL	COLOUR	P/N BOX	MOQ	P/N BULK	MOQ
1	MIDIVAL HOLDER	1	PA66 GF30	Black	0101499	20	0301499	200
2	MEGACOMPACT HOLDER	1	PA66 GF30	Black	0101497	20	0301497	150
3	MEGAVAL HOLDER	1	PA66 GF30	Black	0101498	20	0301498	100



CONNECTIONS AND FIXINGS

IMG	1	2	2+3	3	3
	MIDI M5	RING STD137	TUBOLAR	MEGA M8 POLA	MEGA M8 POLB

MIDIVAL®-MEGAVAL® HOLDER

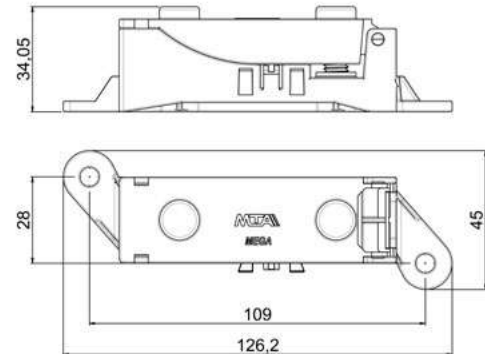
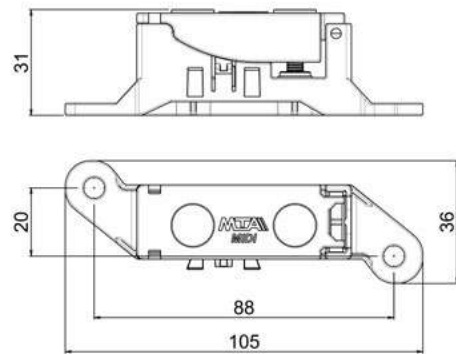


1



2

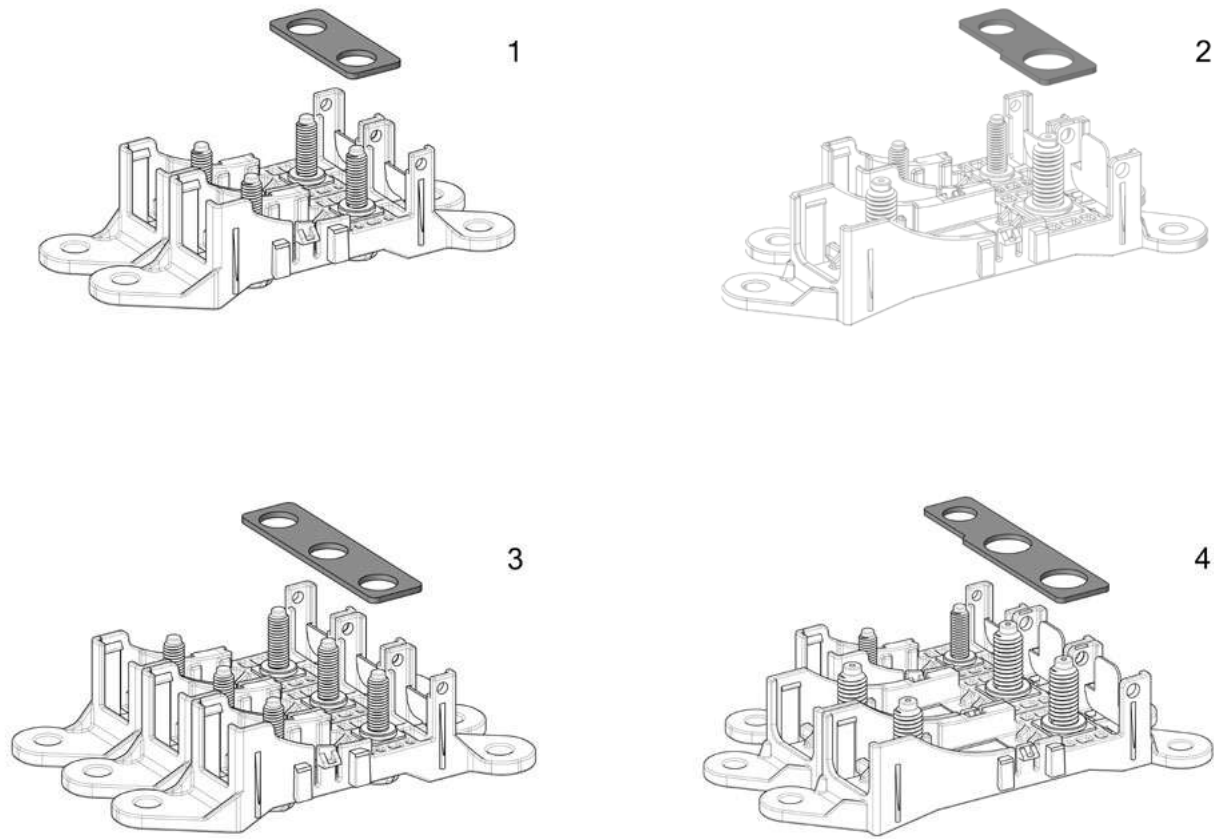
IMG	DESCRIPTION	WAY	MATERIAL	COLOUR	P/N BOX	MOQ	P/N BULK	MOQ
1	SINGLE STUD MIDIVAL HOLDER	1	PA66 GF30	Black	0101224	20	0301224	200
2	SINGLE STUD MEGAVAL HOLDER	1	PA66 GF30	Black	0101223	20	0301223	100



CONNECTIONS AND FIXINGS

IMG	1	1+2	2	2
	MIDI M5	TUBULAR	MEGA M8 POLA	MEGA M8 POLB

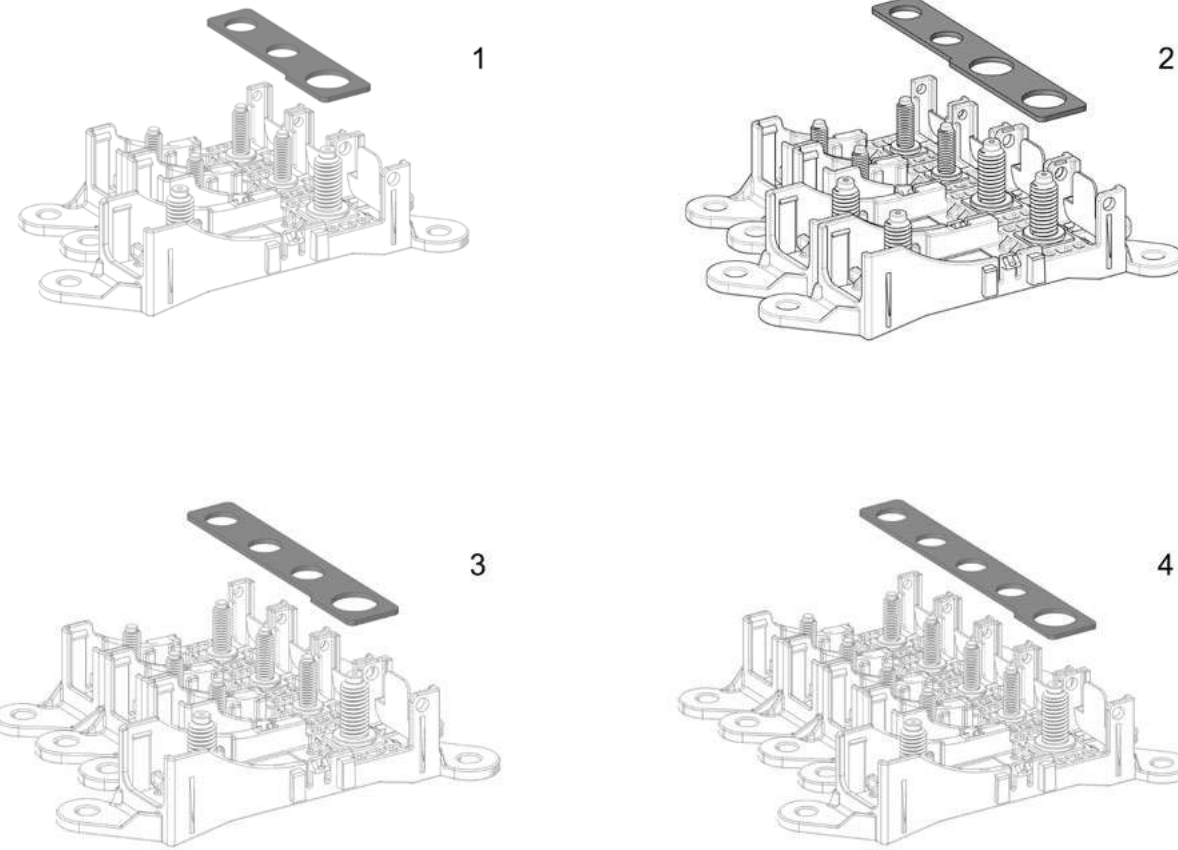
BUS-BAR



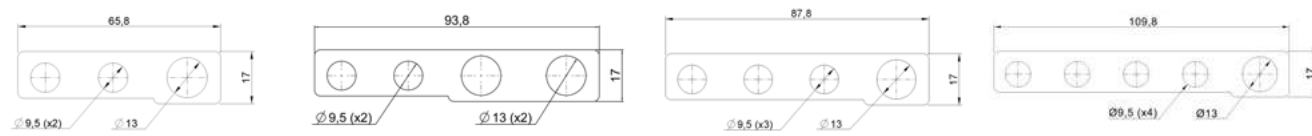
IMG	DESCRIPTION	WAY	MATERIAL	MATERIAL THICKNESS mm	P/N BULK	MOQ
1	2-WAY BUS-BAR 55 2 MIDIVAL	2	Cu-Sn	1,5	0301509	200
2	2-WAY BUS-BAR 58 1 MIDIVAL / 1 MEGAVAL	2	Cu-Sn	1,5	0301252	200
3	3-WAY BUS-BAR 555 3 MIDIVAL	3	Cu-Sn	1,5	0301508	100
4	3-WAY BUS-BAR 588 1 MIDIVAL / 2 MEGAVAL	3	Cu-Sn	1,5	0301511	500



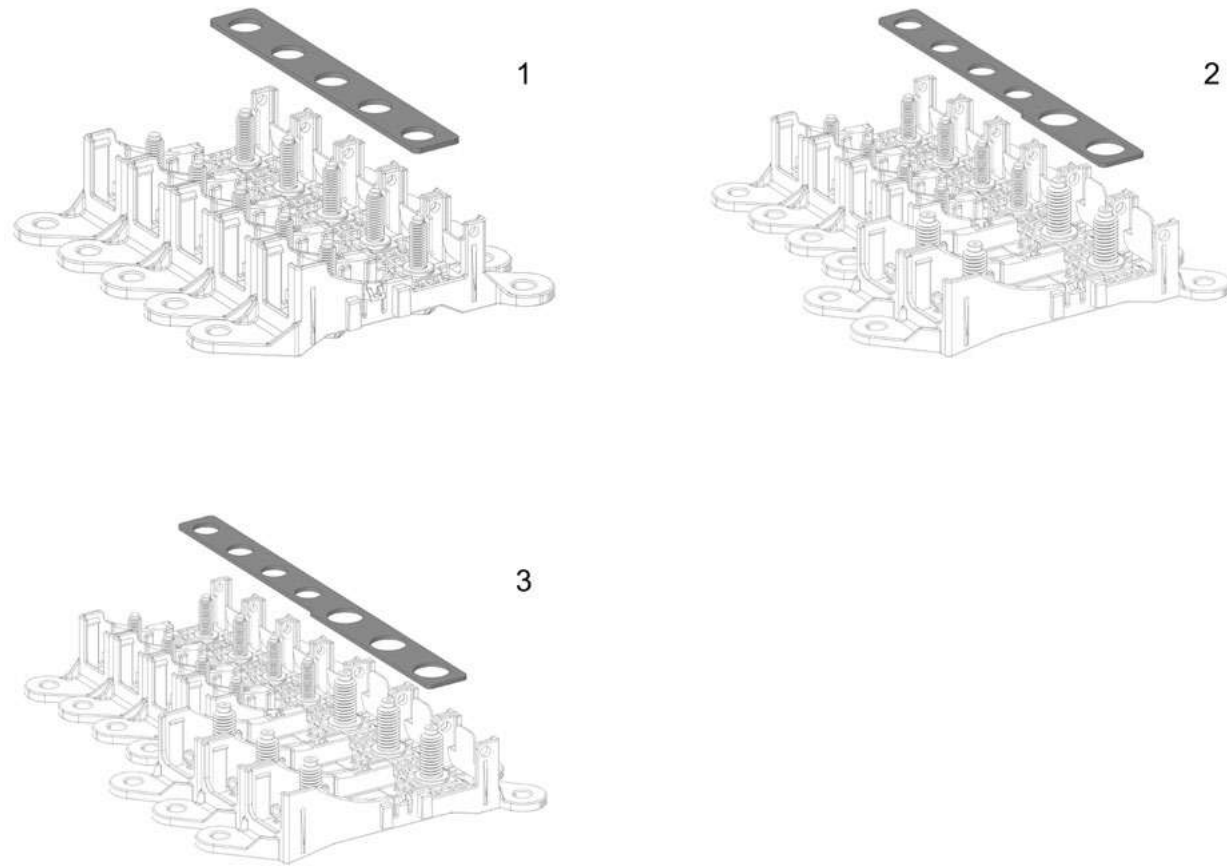
BUS-BAR



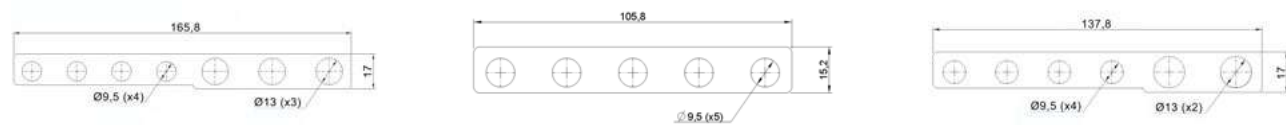
IMG	DESCRIPTION	WAY	MATERIAL	MATERIAL THICKNESS mm	P/N BULK	MOQ
1	3-WAY BUS-BAR 558 2 MIDIVAL / 1 MEGAVAL	3	Cu-Sn	1,5	0301251	100
2	4-WAY BUS-BAR 5588 2 MIDIVAL / 2 MEGAVAL	4	Cu-Sn	1,5	0301512	500
3	4-WAY BUS-BAR 5558 3 MIDIVAL / 1 MEGAVAL	4	Cu-Sn	1,5	0301250	100
4	5-WAY BUS-BAR 55558 4 MIDIVAL / 1 MEGAVAL	5	Cu-Sn	1,5	0301249	100



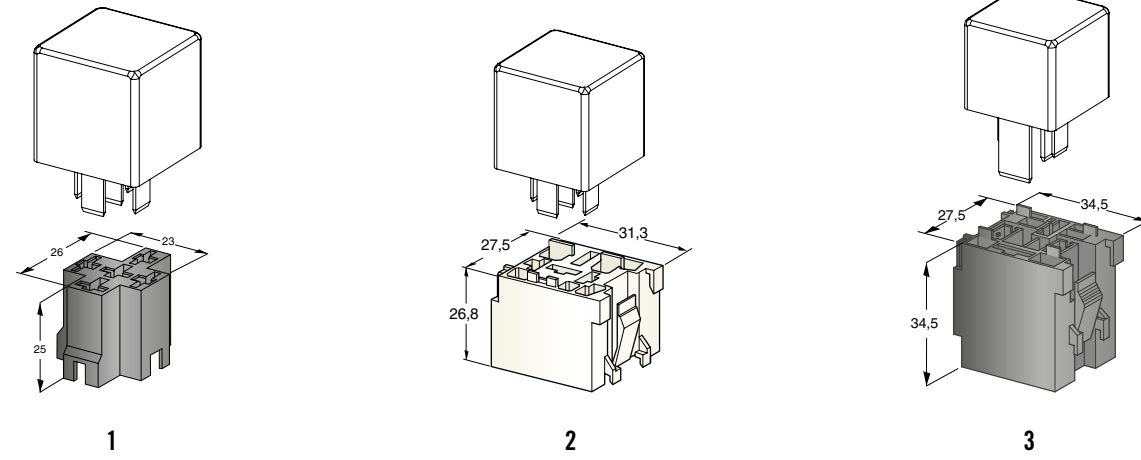
BUS-BAR



IMG	DESCRIPTION	WAY	MATERIAL	MATERIAL THICKNESS mm	P/N BULK	MOQ
1	5-WAY BUS-BAR 55555 5 MIDIVAL	5	Cu-Sn	1,5	0301227	100
2	6-WAY BUS-BAR 555588 4 MIDIVAL / 2 MEGAVAL	6	Cu-Sn	1,5	0301225	100
3	7-WAY BUS-BAR 5555888 4 MIDIVAL / 3 MEGAVAL	7	Cu-Sn	1,5	0301226	100



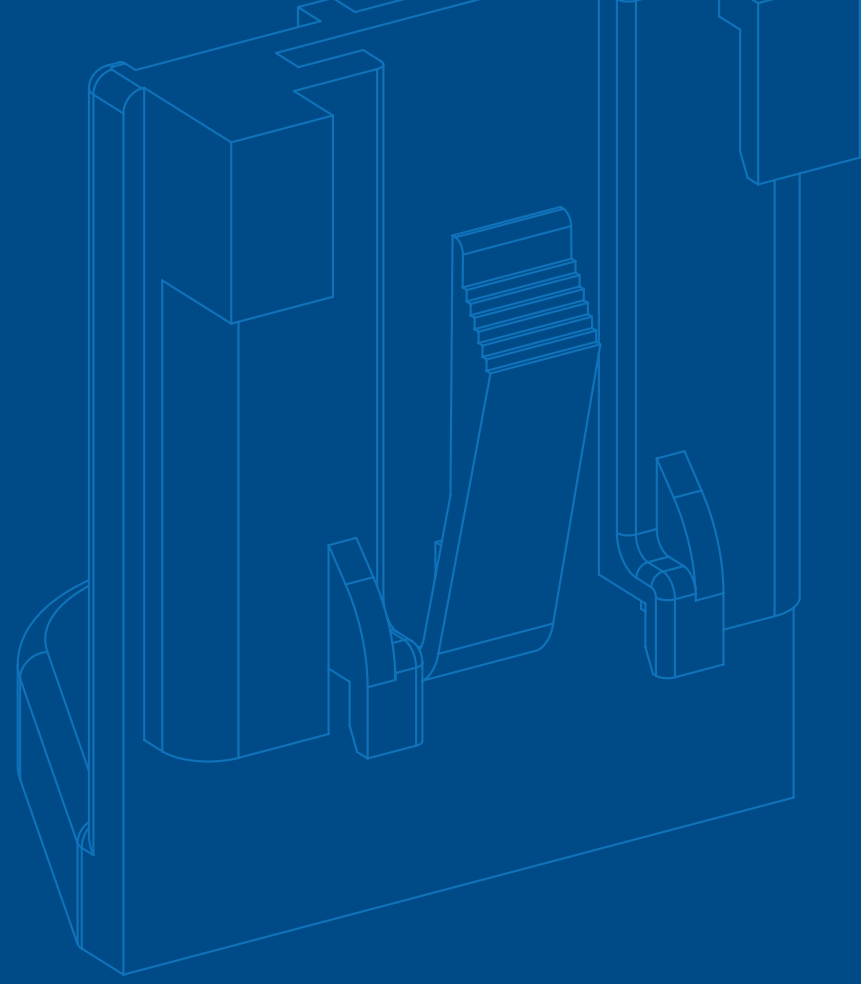
RELAY HOLDER



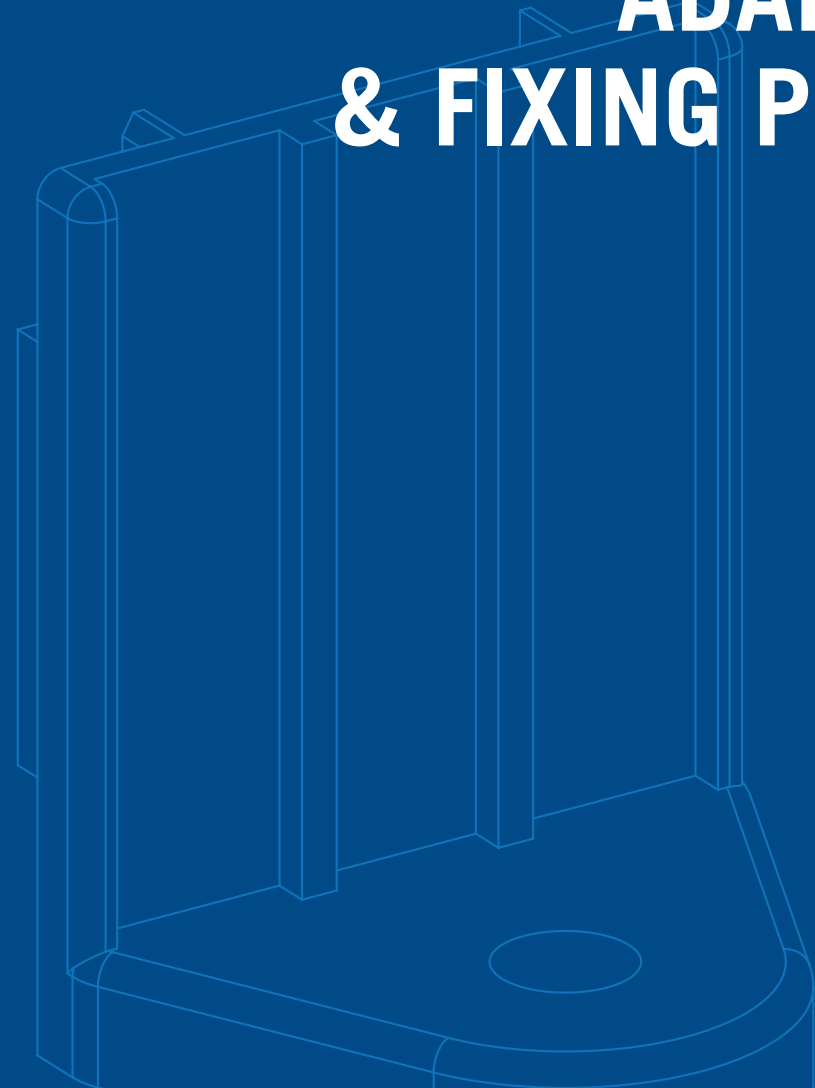
IMG	DESCRIPTION	MATERIAL	COLOUR	P/N BOX	MOQ
1	MINI RELAY HOLDER	PA	■ Black	4410246	50
2	MINI RELAY HOLDER	PA	□ Neutral	4410245	50
3	MAXI RELAY HOLDER	PA	■ Black	4410247	50

CONNECTIONS AND FIXINGS

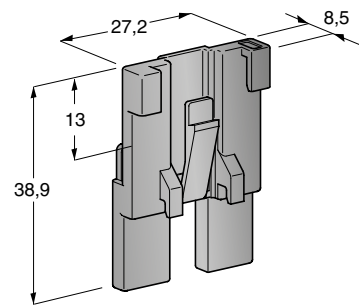
IMG	1	2+3	2+3	2+3	2	3	3
	F630	0100392	0100440	0100430	F630 W/LOCK.NOTCH	ANTISF F630	FASTON F950 W/LOCK.NOTCH



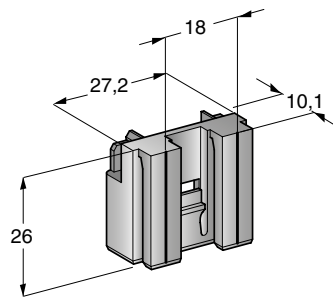
ADAPTERS & FIXING PLATES



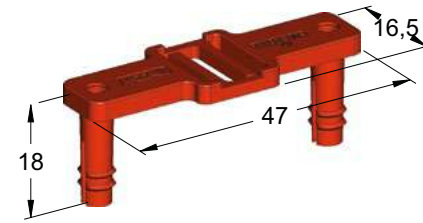
ADAPTERS



1



2

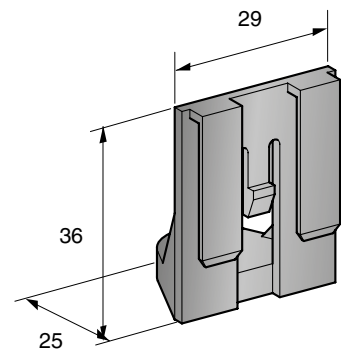


3

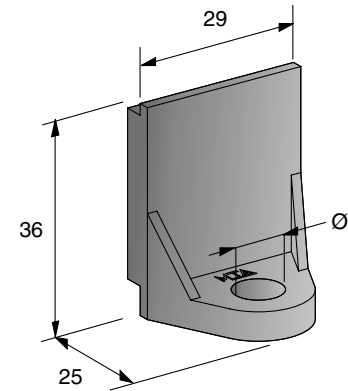
NEW

IMG	DESCRIPTION	MATERIAL	COLOUR	P/N BULK	MOQ
1	ADAPTER	PA66 GF25	Black	0300856	1500
2	ADAPTER	PA66 GF25	Black	0300949	1500
3	RETENTION BLOCK WITHOUT BOLTS	PP GF30 - HB	Red	9450168	TBD

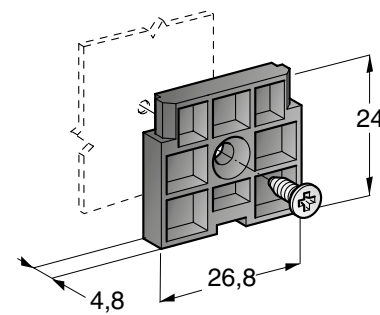
FIXING PLATES



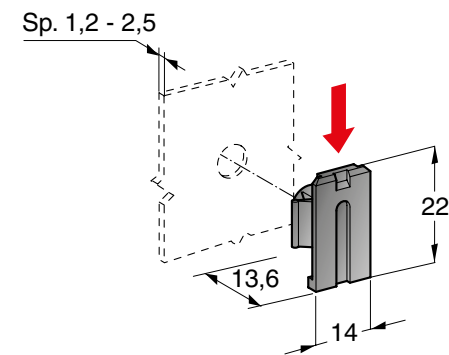
1



2



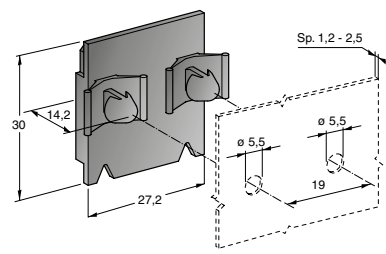
3



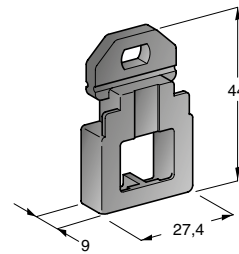
4

IMG	DESCRIPTION	Ø mm	MATERIAL	COLOUR	P/N BULK	MOQ
1	MOUNTING BRACKET MALE	8,5	PA66	■ Black	0300690	100
2	MOUNTING BRACKET FEMALE	8,5	PA66	■ Black	0300691	100
3	FIXING PLATE WITH 1 SCREW	3,6	PP GF30	■ Black	0300352	1000
4	FIXING PLATE BY PRESSURE	6,5	PA66	■ Black	0300395	1000
	FIXING PLATE BY PRESSURE	8,0	PA66	■ Black	0300398	1000

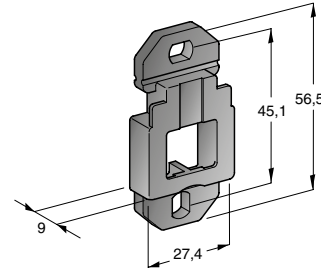
FIXING PLATES



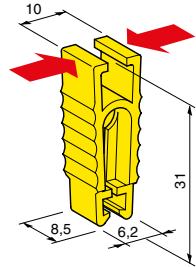
1



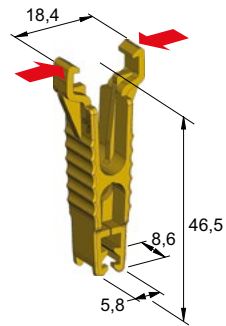
2



3



4

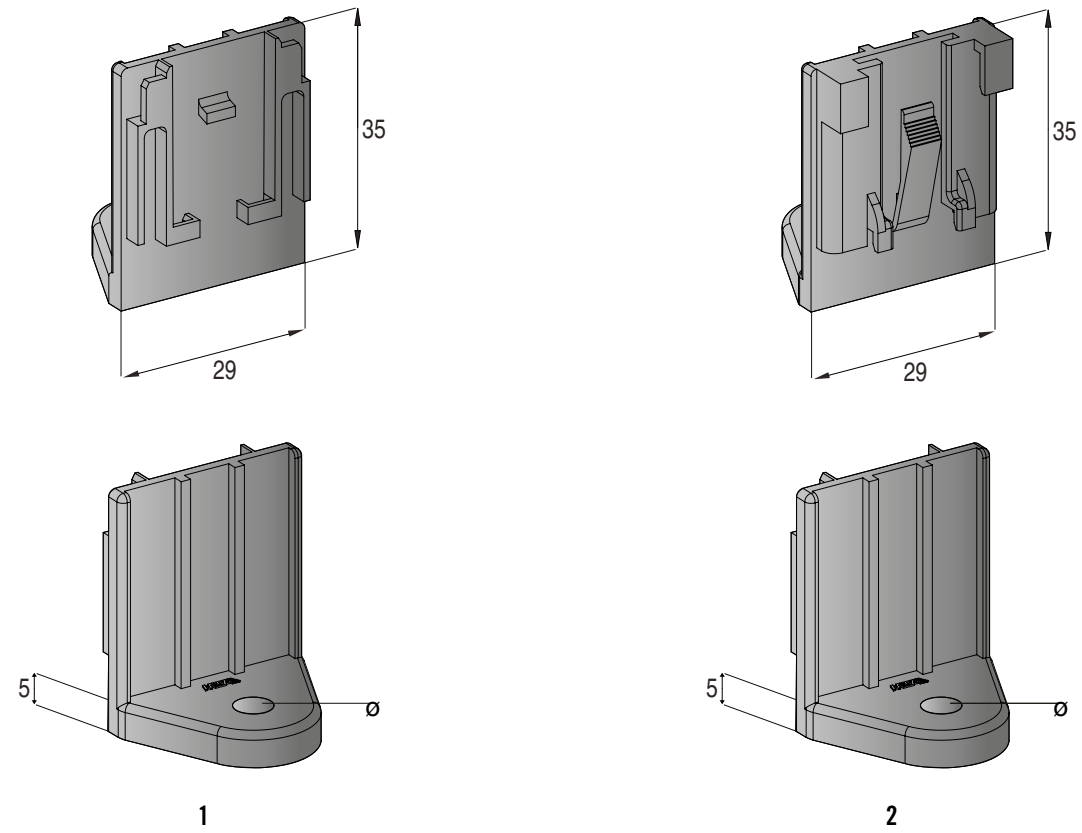


5

IMG	DESCRIPTION	SCREW Ø mm	MATERIAL	COLOUR	P/N BOX	INNER BOX PCS	MOQ	P/N BULK	MOQ
1	FIXING PLATE	5,5	PA66	Black	0100392	10	120	0300392	2000
2	FIXING PLATE	M5	PA66	Black	0100430	10	100	0300430	1000
3	FIXING PLATE	M5	PA66	Black	0100440	10	100	0300440	250
4	EXTRACTOR FOR BLADE FUSE		PP	Yellow	0100358	25	600	0300358	3000
5	EXTRACTOR FOR BLADE FUSE		PP	Yellow				0300353	2000

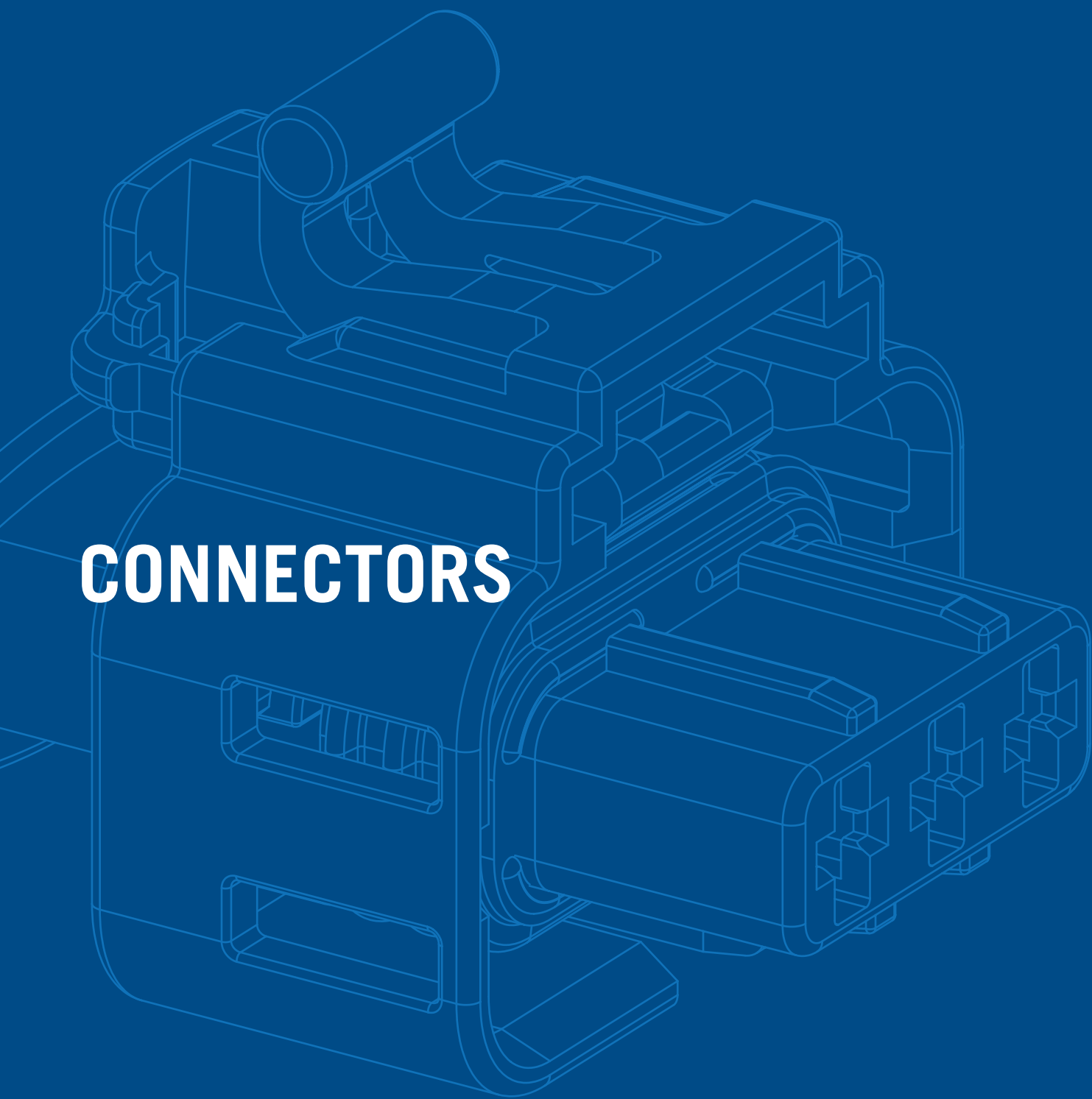
NEW

FIXING PLATES

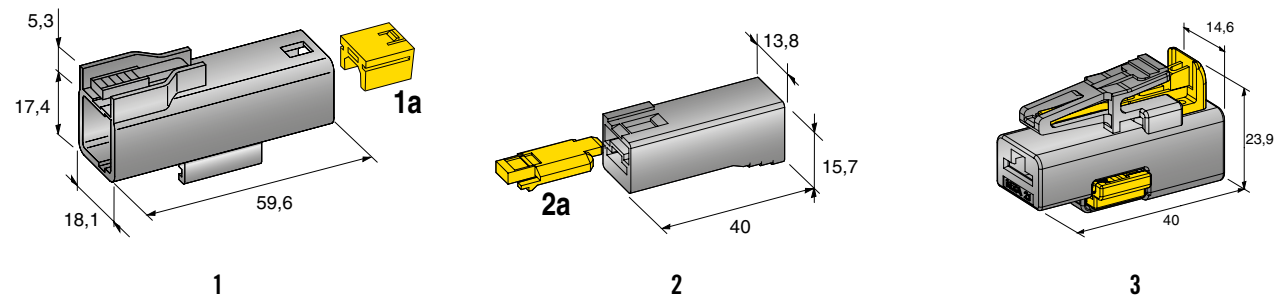


IMG	DESCRIPTION	Ø mm	MATERIAL	COLOUR	P/N BULK	MOQ
1	MOUNTING BRACKET FEMALE	5,5	PA66	■ Black	0300698	100
2	MOUNTING BRACKET MALE	5,5	PA66	■ Black	0300697	100

CONNECTORS



1-WAY POWER

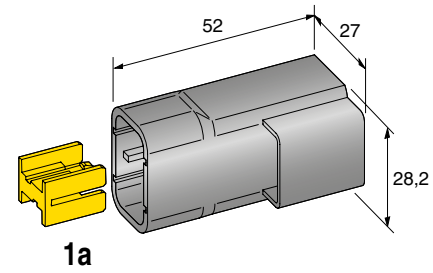


IMG	DESCRIPTION	WAY	MATERIAL	COLOUR	P/N BULK	MOQ
1	MALE HOLDER	1	PA66 GF25	Black	4540205	1200
2	FEMALE HOLDER	1	PA66 GF25	Black	4540105	2400
3	FEMALE HOLDER WITH SECONDARY LOCK AND CPA	1	PA66 GF30	Black	4540150	700
1a	SECONDARY LOCK		PA66	Yellow	4545200	5000
2a	SECONDARY LOCK		PA66	Yellow	4545100	10000

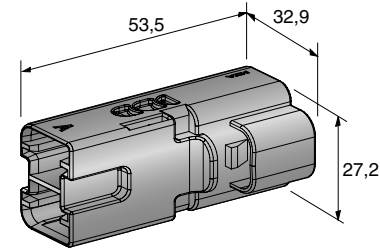
CONNECTIONS AND FIXINGS

IMG	1	2+3	1
	M800	F800	0300395 0300398

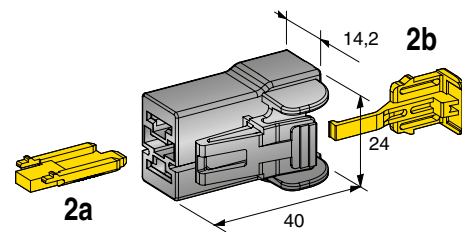
2-WAY POWER



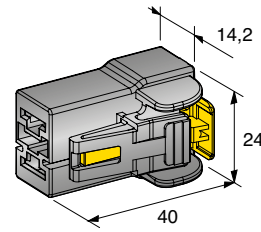
1



2



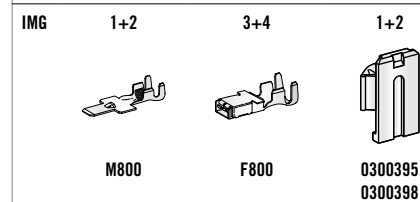
3



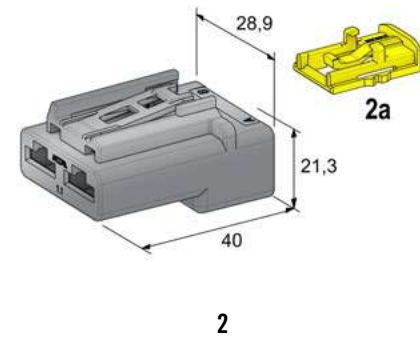
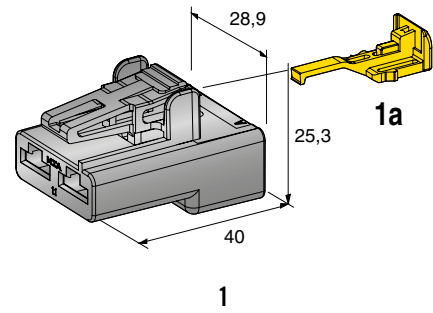
4

IMG	DESCRIPTION	WAY	MATERIAL	COLOUR	P/N BULK	MOQ
1	MALE HOLDER	2	PA66 GF30	Black	4540405	1200
2	MALE HOLDER POLARIZED	2	PA66 GF30	Blue	4540410	1200
	MALE HOLDER POLARIZED	2	PA66 GF30	Grey	4540420	1200
	MALE HOLDER POLARIZED	2	PA66 GF30	Green	4540430	1000
3	FEMALE HOLDER	2	PA66 GF30	Black	4540305	1200
	FEMALE HOLDER POLARIZED	2	PA66 GF30	Blue	4540315	1200
	FEMALE HOLDER POLARIZED	2	PA66 GF30	Grey	4540345	1200
	FEMALE HOLDER POLARIZED	2	PA66 GF30	Green	4540325	1200
4	FEMALE HOLDER POLARIZED WITH CPA	2	PA66 GF30	Blue	4540312	1200
1a	SECONDARY LOCK		PA66 GF30	Yellow	4545400	2500
2a	SECONDARY LOCK		PA66	Yellow	4545100	4800
2b	CPA		PA66 GF30	Yellow	4545300	2400

CONNECTIONS AND FIXINGS

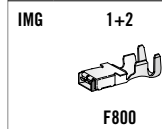


2-WAY POWER

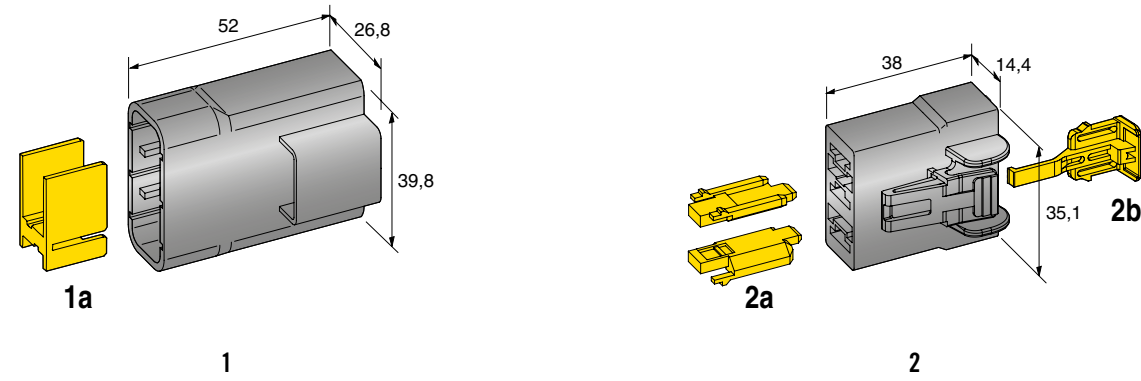


IMG	DESCRIPTION	WAY	MATERIAL	COLOUR	P/N BULK	MOQ
1	FEMALE HOLDER POLARIZED	2	PA66 GF13	Blue	4540500	600
	FEMALE HOLDER POLARIZED	2	PA66 GF13	Green	4540501	600
1a	CPA		PA66 GF30	Yellow	4545300	2400
2	FEMALE HOLDER POLARIZED	2	PA66 GF13 HB	Blue	4540502	1200
	FEMALE HOLDER POLARIZED	2	PA66 GF13 HB	Green	4540503	1200
2a	CPA		PA66 GF30	Yellow	4540303	8000

CONNECTIONS AND FIXINGS



3-WAY POWER

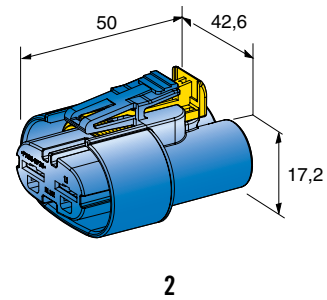
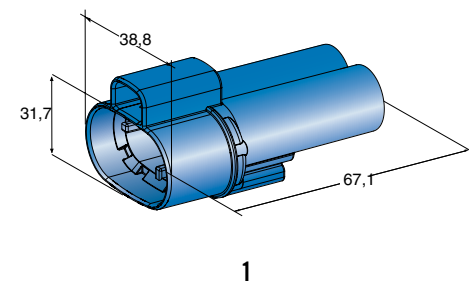


IMG	DESCRIPTION	WAY	MATERIAL	COLOUR	P/N BULK	MOQ
1	MALE HOLDER	3	PA66 GF25	Black	4540805	1200
2	FEMALE HOLDER	3	PA66 GF30	Black	4540705	1200
	FEMALE HOLDER POLARIZED	3	PA66 GF30	Blue	4540715	1200
	FEMALE HOLDER POLARIZED	3	PA66 GF30	Grey	4540735	1200
1a	SECONDARY LOCK		PA66 GF30	Yellow	4545800	1200
2a	SECONDARY LOCK		PA66	Yellow	4545100	4800
2b	CPA		PA66 GF30	Yellow	4545300	2400

CONNECTIONS AND FIXINGS

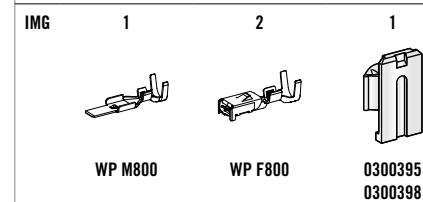


2-WAY POWER WATERPROOF

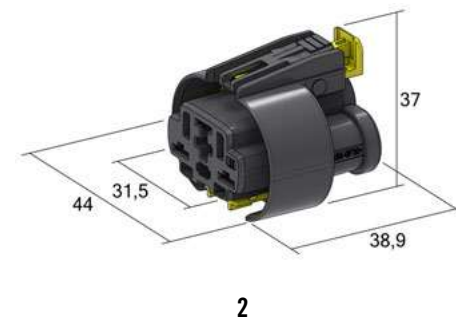


IMG	DESCRIPTION	WAY	MATERIAL	COLOUR	P/N BULK	MOQ
1	MALE HOLDER	2	PA66 GF30	Blue	4540210	600
	MALE HOLDER	2	PA66 GF30	Green	4540211	600
	MALE HOLDER	2	PA66 GF30	Black	4540212	600
2	FEMALE HOLDER WITH GASKET AND CPA	2	PA66 GF30	Blue	4540110	500
	FEMALE HOLDER WITH GASKET AND CPA	2	PA66 GF30	Green	4540111	500
	FEMALE HOLDER WITH GASKET AND CPA	2	PA66 GF30	Black	4540112	500

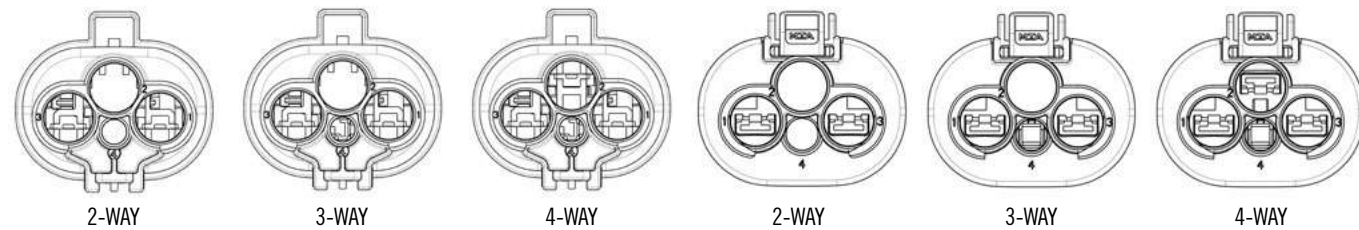
CONNECTIONS AND FIXINGS



2, 3, 4-WAY POWER WATERPROOF



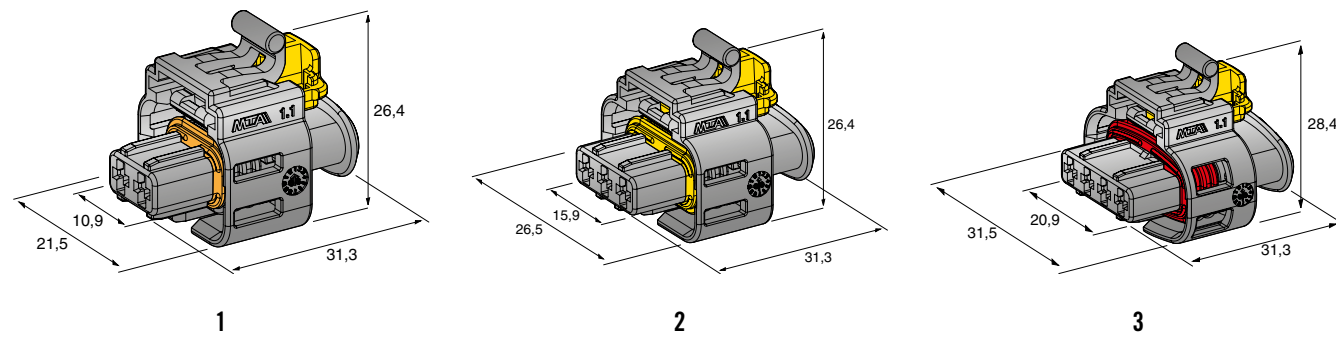
IMG	DESCRIPTION	WAY	MATERIAL	COLOUR	P/N BULK	MOQ
1	MALE HOLDER	2	PA66 GF30	Black	4551900	500
	MALE HOLDER	3	PA66 GF30	Black	4540817	500
	MALE HOLDER	4	PA66 GF30	Black	4551899	500
2	FEMALE HOLDER WITH GASKET	2	PA66 GF30	Black	4551898	500
	FEMALE HOLDER WITH GASKET	3	PA66 GF30	Black	4540816	500
	FEMALE HOLDER WITH GASKET	4	PA66 GF30	Black	4551897	500



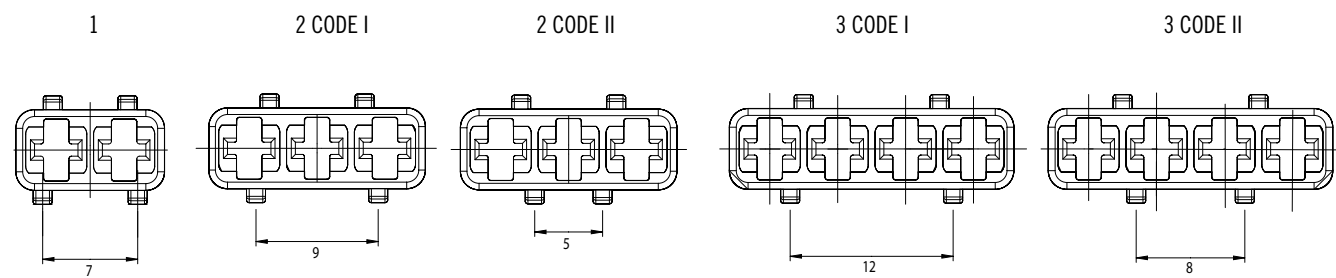
CONNECTIONS AND FIXINGS

IMG	1 (2/3/4-WAY)	1 (3/4-WAY)	2 (2/3/4-WAY)	2 (3/4-WAY)
	M630 WP	JPT WP M280	F630E WP	F280 WP

HP6 2,3 & 4-WAY



IMG	DESCRIPTION	WAY	MATERIAL	COLOUR	P/N BULK	MOQ
1	FEMALE HOLDER	2	PA66 GF30	■ Black	4510840	2500
2	FEMALE HOLDER CODE I	3	PA66 GF30	■ Black	4510881	2000
	FEMALE HOLDER CODE II	3	PA66 GF30	■ Black	4510880	2000
3	FEMALE HOLDER CODE I	4	PA66 GF30	■ Black	4510891	1600
	FEMALE HOLDER CODE II	4	PA66 GF30	■ Black	4510890	1600



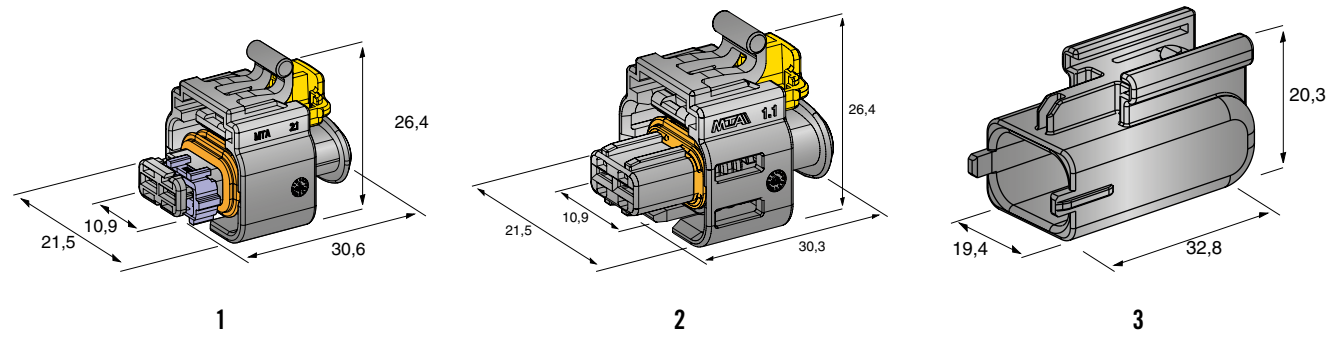
CONNECTIONS AND FIXINGS

IMG 1+2+3

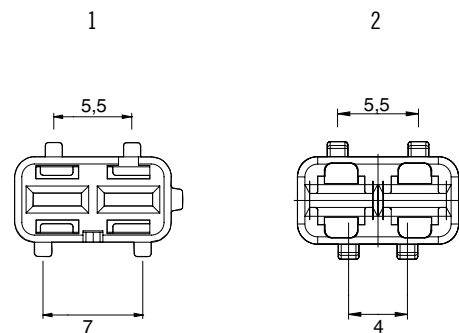


HP6 280

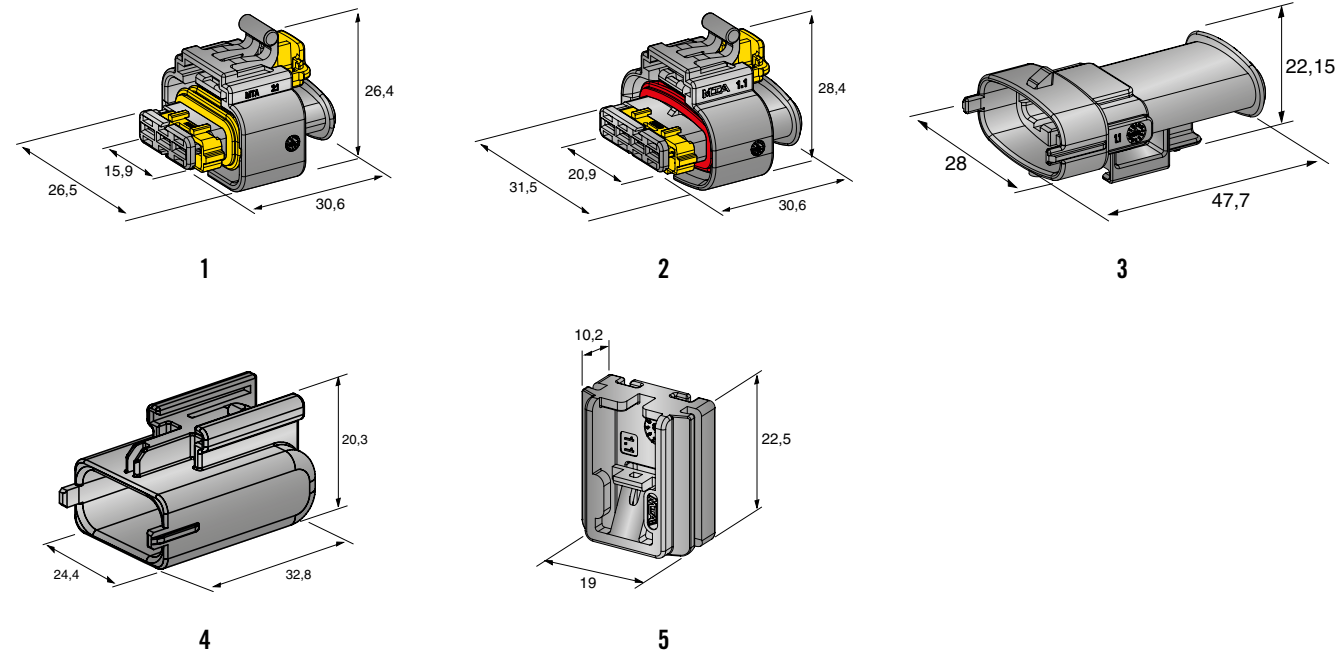
C 280 2-WAY



IMG	DESCRIPTION	WAY	MATERIAL	COLOUR	SECONDARY LOCK COLOUR	P/N BULK	MOQ
1	FEMALE HOLDER FOR BDK AND BSK TERMINALS	2	PA66 GF30	■ Black	■ Violet	4510801	2500
2	FEMALE HOLDER FOR JPT TERMINALS	2	PA66 GF30	■ Black		4510830	2500
3	CAP FOR CONNECTORS 4510801/4510830	2	PA66 GF30	■ Black		4510802	3000



C 280 3&4-WAY



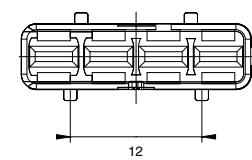
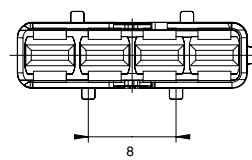
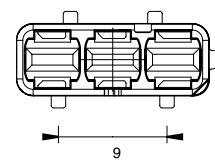
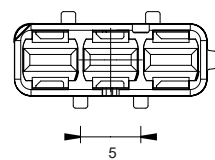
IMG	DESCRIPTION	WAY	MATERIAL	COLOUR	SECONDARY LOCK COLOUR	P/N BULK	MOQ
1	FEMALE HOLDER FOR BDK AND BSK TERMINALS	3	PA66 GF30	Black	Yellow	4510810	2000
	FFEMALE HOLDER FOR BDK AND BSK TERMINALS	3	PA66 GF30	Black	Violet	4510811	2000
2	FEMALE HOLDER FOR BDK AND BSK TERMINALS	4	PA66 GF30	Black	Yellow	4510820	1600
	FEMALE HOLDER FOR BDK AND BSK TERMINALS	4	PA66 GF30	Black	Violet	4510821	1600
3	MALE HOLDER FOR 4510821	4	PA66 GF30	Black		4510921	2000
4	CAP FOR CONNECTORS 4510810/4510811	3	PA66 GF30	Black		4510812	2800
5	ADAPTER FOR 4510921		PA66 GF30	Black		0300489	2500

1 YELLOW

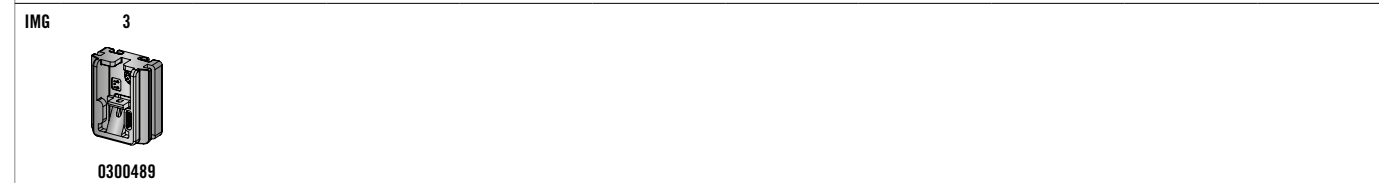
1 VIOLET

2 YELLOW

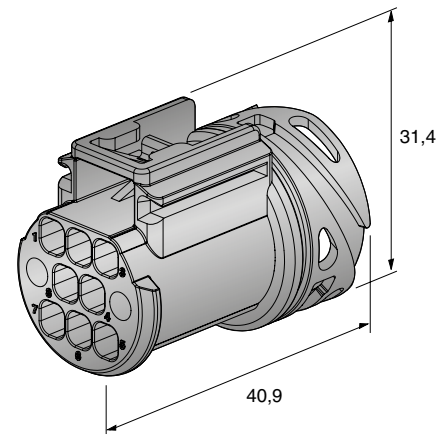
2 VIOLET



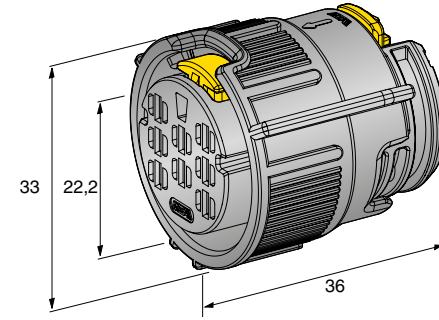
CONNECTIONS AND FIXINGS



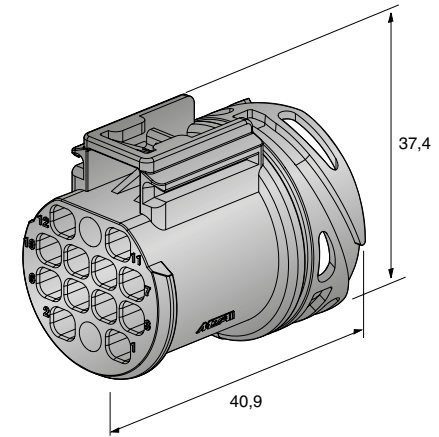
RC 280 8 & 12-WAY



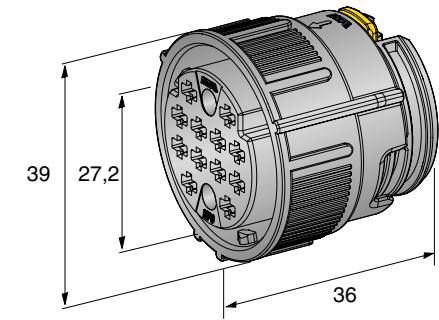
1



2



3



4

IMG	DESCRIPTION	WAY	MATERIAL	COLOUR	P/N BULK	MOQ
1	MALE HOLDER FOR TABS 2,8 x 0,8	8	PA66 GF30	■ Black	4510970	500
2	FEMALE HOLDER FOR BDK AND BSK TERMINALS	8	PA66 GF30	■ Black	4510870	120
3	MALE HOLDER FOR TABS 2,8 x 0,8	12	PA66 GF30	■ Black	4510975	350
4	FEMALE HOLDER FOR HP6 TERMINALS	12	PA66 GF30	■ Black	4510875	350

CONNECTIONS AND FIXINGS

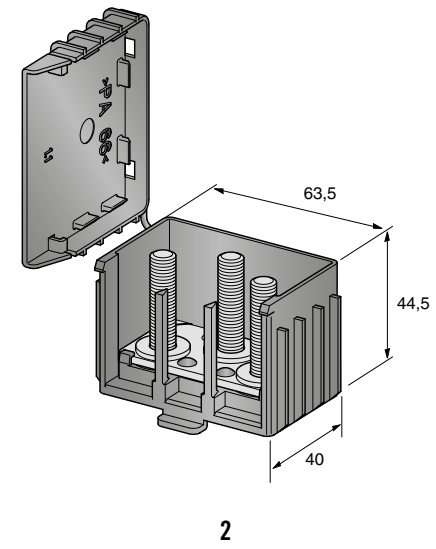
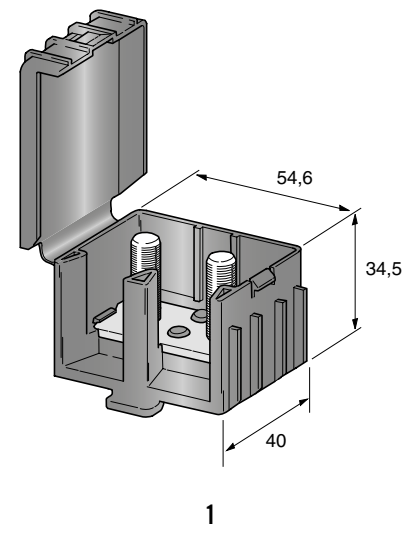
IMG

4



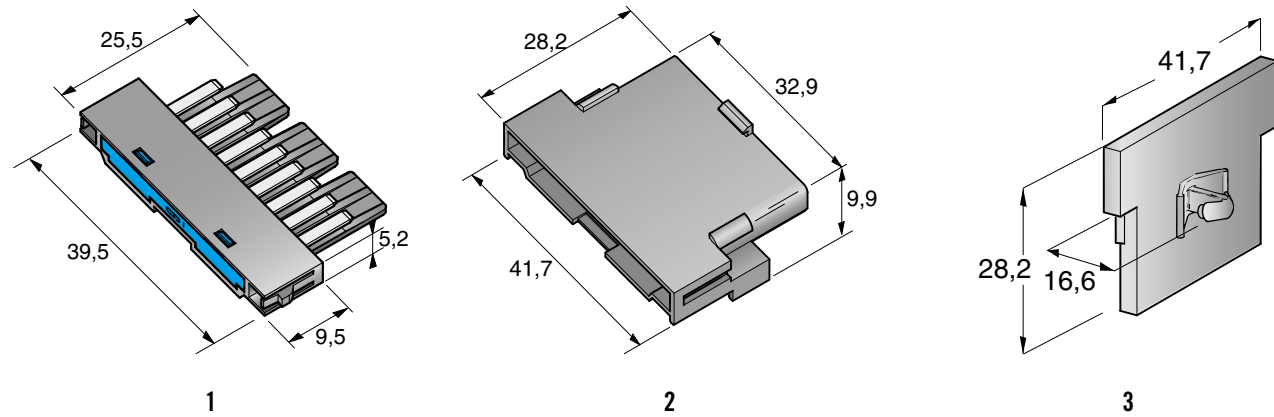
HP6 280

JOINT



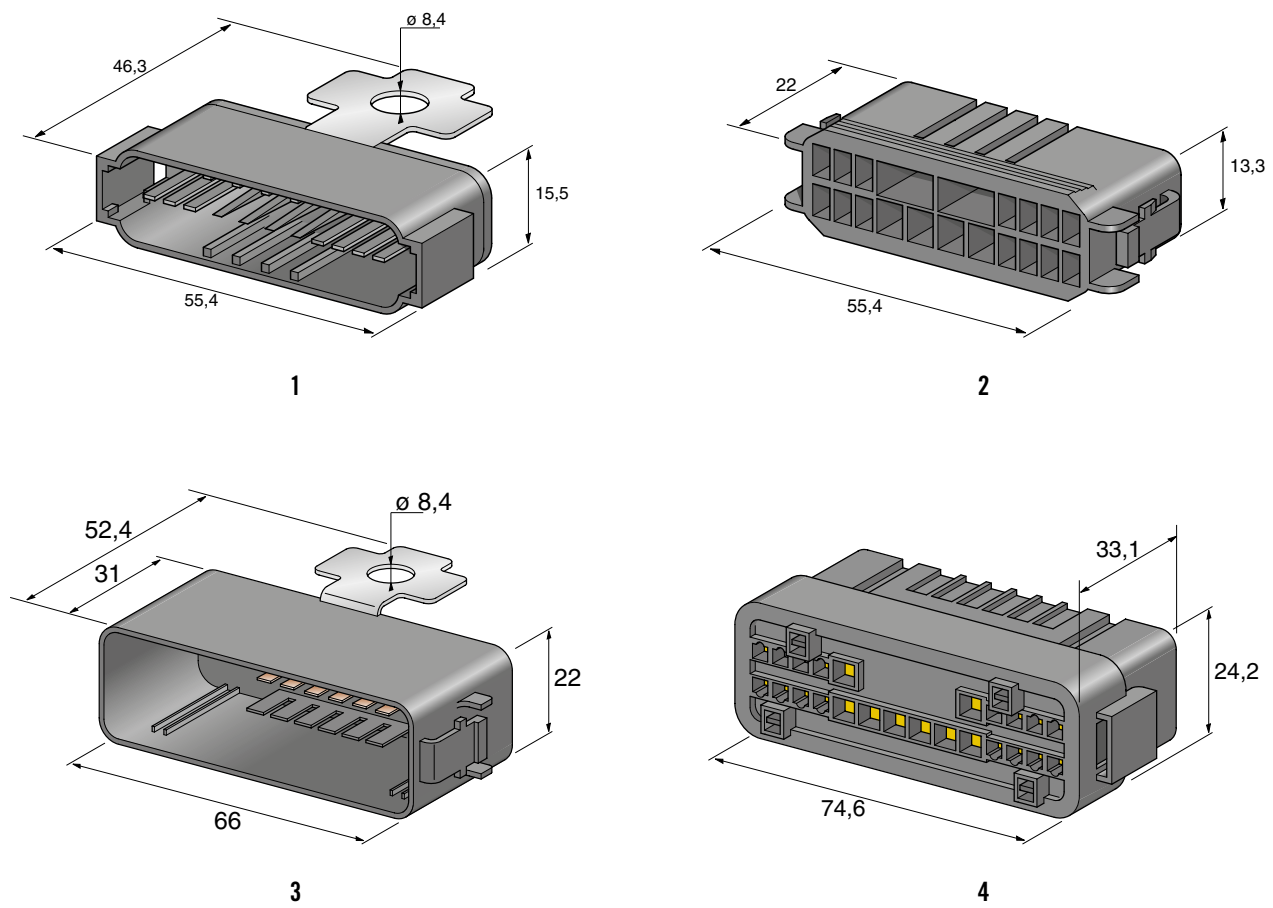
IMG	DESCRIPTION	SCREW	WAY	MATERIAL	COLOUR	P/N BULK	MOQ
1	BRANCH KNOT M 88	M 88	2	PA66	■ Black	4541100	100
2	BRANCH KNOT M 888	M 888	3	PA66	■ Black	4541200	100
	BRANCH KNOT M 666	M 666	3	PA66	■ Black	4541202	100
	BRANCH KNOT M 555	M 555	3	PA66	■ Black	4541201	100

JOINT 9-WAY



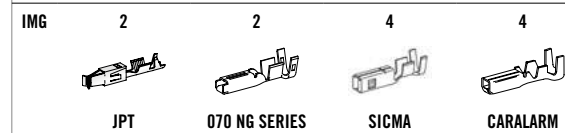
IMG	DESCRIPTION	WAY	MATERIAL	COLOUR	COVER COLOUR	P/N BULK	MOQ
1	MALE HOLDER	9	PA66 GF13	Black	Blue	4551610	2500
	MALE HOLDER	6+3	PA66 GF13	Black	Yellow	4551611	2500
	MALE HOLDER	5+4	PA66 GF13	Black	Red	4551612	2500
	MALE HOLDER	3+3+3	PA66 GF13	Black	Green	4551613	2500
2	FEMALE HOLDER	9	PBT	Black		4551605	2500
	FEMALE HOLDER	9	PBT	Blue		4551606	2500
	FEMALE HOLDER	9	PBT	Green		4551607	2500
3	FIXING PLATE		PA66	Black		0300397	1000

JOINT 18-WAY & 24-WAY

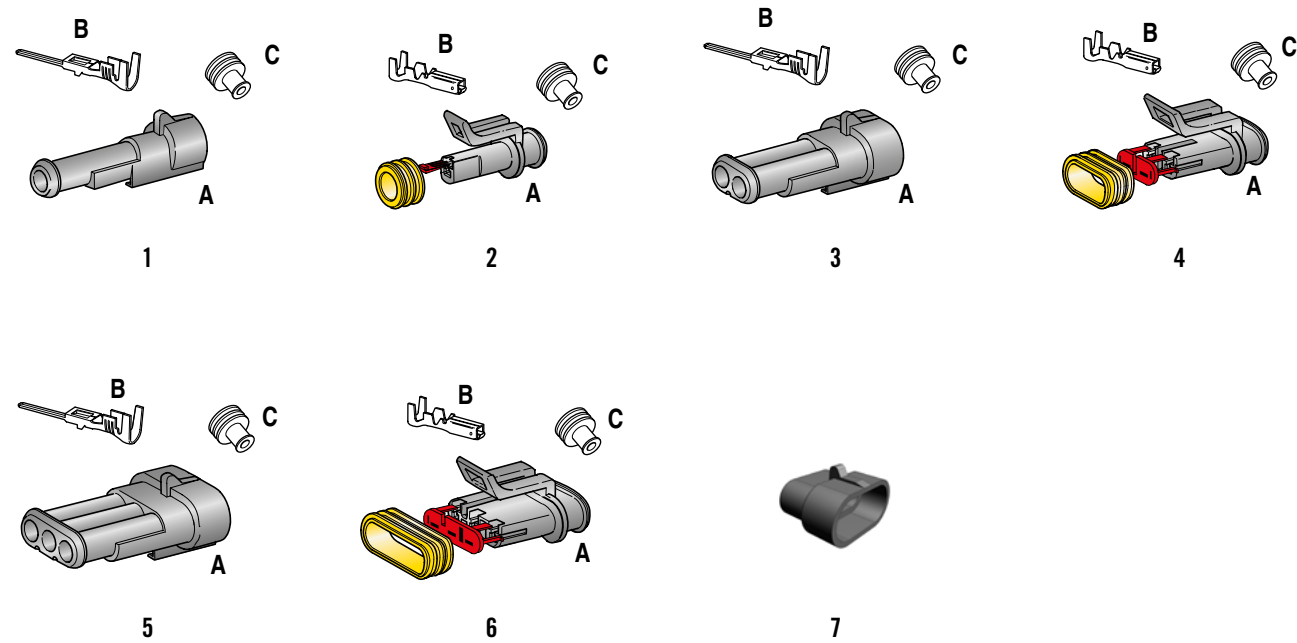


IMG	DESCRIPTION	WAY	MATERIAL	COLOUR	P/N BULK	MOQ
1	EARTH MALE HOLDER	18	PA66 GF30	Black	4510125	300
2	FEMALE HOLDER	18	PA66 GF30	Black	4510120	1500
3	EARTH MALE HOLDER WATERPROOF	24	PA66 GF30	Black	4510115	600
4	FEMALE HOLDER WATERPROOF	24	PA66 GF30	Black	4510110	600

CONNECTIONS AND FIXINGS

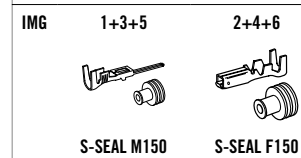


SUPERSEAL 1,5

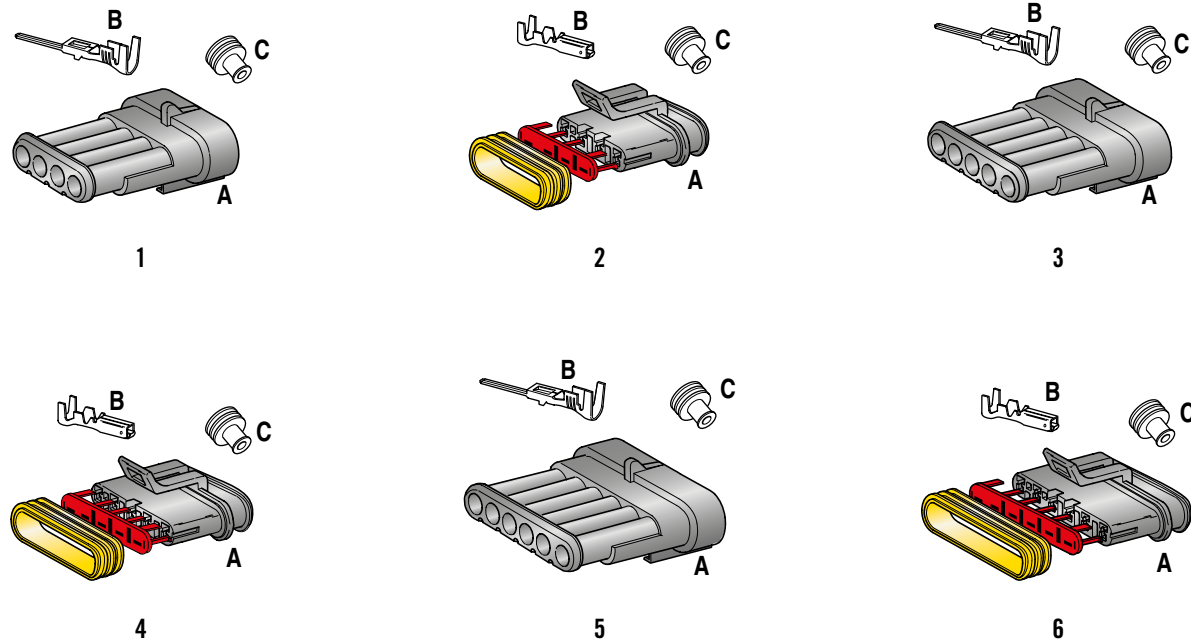


IMG	DESCRIPTION	WAY	MATERIAL	COLOUR	P/N BOX	MOQ
1	S-SEAL 1,5 MALE HOLDER	1	PA 66	■ Black	4423610	10
	KIT A+B+C	1	PA 66		3050123	1
2	S-SEAL 1,5 FEMALE HOLDER	1	PA 66	■ Black	4423620	10
	KIT A+B+C	1	PA 66		3050124	1
3	S-SEAL 1,5 MALE HOLDER	2	PA 66	■ Black	4423630	10
	KIT A+B+C	2	PA 66		3050125	1
4	S-SEAL 1,5 FEMALE HOLDER	2	PA 66	■ Black	4423640	10
	KIT A+B+C	2	PA 66		3050126	1
5	S-SEAL 1,5 MALE HOLDER	3	PA 66	■ Black	4423650	10
	KIT A+B+C	3	PA 66		3050127	1
6	S-SEAL 1,5 FEMALE HOLDER	3	PA 66	■ Black	4423660	10
	KIT A+B+C	3	PA 66		3050128	1
NEW 7	CAVITY PLUG FOR 3-WAY FEMALE HOLDER 4423650	3	PA 66	■ Black	9450300	2000

CONNECTIONS AND FIXINGS

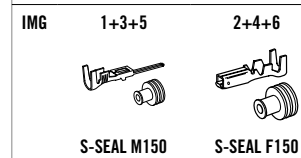


SUPERSEAL 1,5



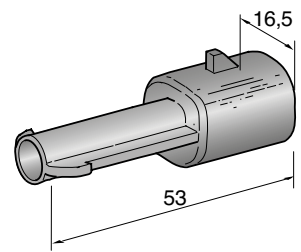
IMG	DESCRIPTION	WAY	MATERIAL	COLOUR	P/N BOX	MOQ
1	S-SEAL 1,5 MALE HOLDER	4	PA 66	■ Black	4423670	10
	KIT A+B+C	4	PA 66		3050129	1
2	S-SEAL 1,5 FEMALE HOLDER	4	PA 66	■ Black	4423680	10
	KIT A+B+C	4	PA 66		3050130	1
3	S-SEAL 1,5 MALE HOLDER	5	PA 66	■ Black	4423690	10
	KIT A+B+C	5	PA 66		3050131	1
4	S-SEAL 1,5 FEMALE HOLDER	5	PA 66	■ Black	4423700	10
	KIT A+B+C	5	PA 66		3050132	1
5	S-SEAL 1,5 MALE HOLDER	6	PA 66	■ Black	4423710	10
	KIT A+B+C	6	PA 66		3050133	1
6	S-SEAL 1,5 FEMALE HOLDER	6	PA 66	■ Black	4423720	10
	KIT A+B+C	6	PA 66		3050134	1

CONNECTIONS AND FIXINGS

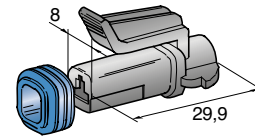


S-SEAL M150 S-SEAL F150

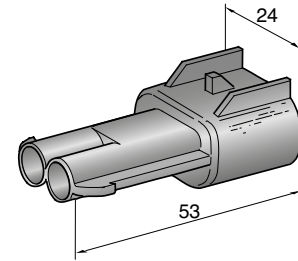
SEAL 2,8 & 6,3



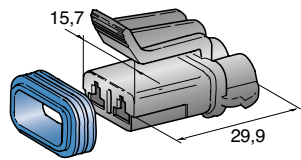
1



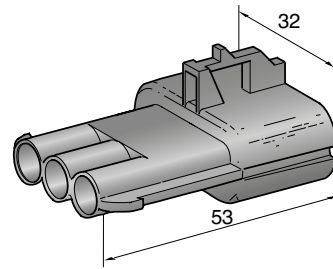
2



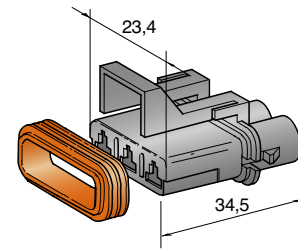
3



4



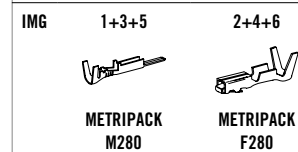
5



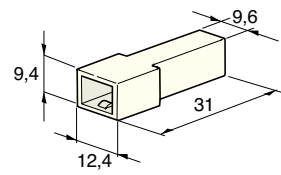
6

IMG	DESCRIPTION	WAY	MATERIAL	COLOUR	P/N BOX	MOQ
1	SEAL 2,8 MALE HOLDER	1	PA 66	Black	4423520	5
2	SEAL 2,8 FEMALE HOLDER	1	PA 66	Black	4423510	5
3	SEAL 2,8 MALE HOLDER	2	PA 66	Black	4423540	5
4	SEAL 2,8 FEMALE HOLDER	2	PA 66	Black	4423530	5
5	SEAL 2,8 MALE HOLDER	3	PA 66	Black	4423560	5
6	SEAL 2,8 FEMALE HOLDER	3	PA 66	Black	4423550	5

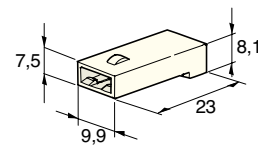
CONNECTIONS AND FIXINGS



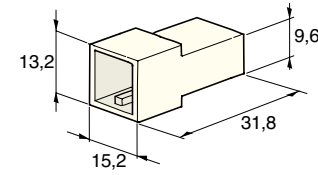
MULTIPLE 6,3



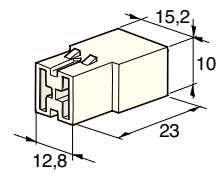
1



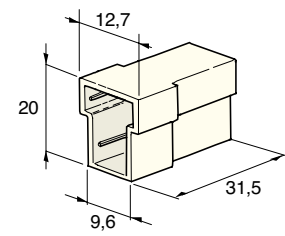
2



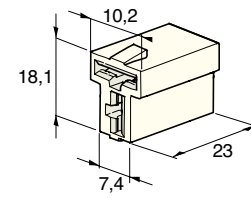
3



4



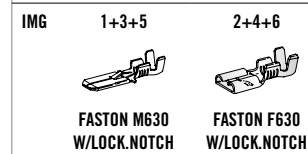
5



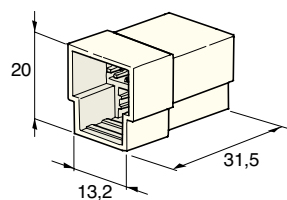
6

IMG	DESCRIPTION	WAY	MATERIAL	COLOUR	P/N BOX	MOQ	P/N BULK	MOQ
1	MALE HOLDER	1	PA	☐ Neutral	4410150	100	4510150	2500
2	FEMALE HOLDER	1	PA	☐ Neutral	4410160	100	4510160	2500
3	MALE HOLDER	2	PA	☐ Neutral	4410170	50	4510170	2500
4	FEMALE HOLDER	2	PA	☐ Neutral	4410180	50	4510180	2500
5	MALE HOLDER	2	PA	☐ Neutral	4410190	50	4510190	2500
6	FEMALE HOLDER	2	PA	☐ Neutral	4410200	50	4510200	2500

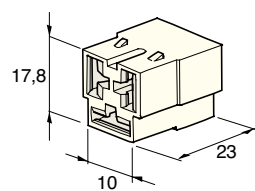
CONNECTIONS AND FIXINGS



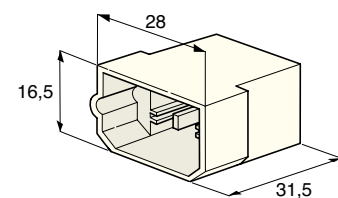
MULTIPLE 6,3



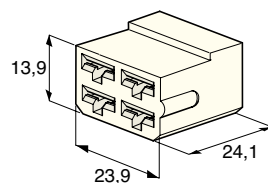
1



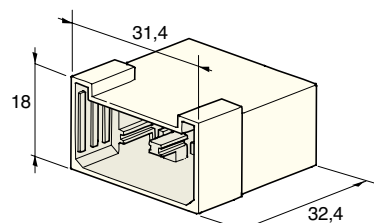
2



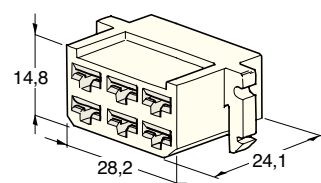
3



4



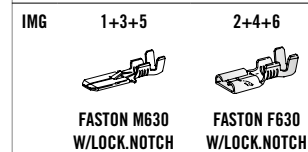
5



6

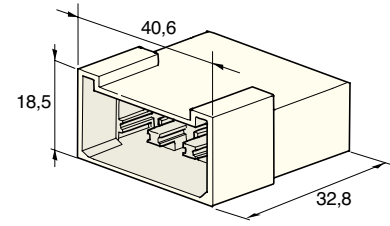
IMG	DESCRIPTION	WAY	MATERIAL	COLOUR	P/N BOX	MOQ	P/N BULK	MOQ
1	MALE HOLDER	3	PA	□ Neutral	4410210	50	4510210	2500
2	FEMALE HOLDER	3	PA	□ Neutral	4410220	50	4510220	2500
3	MALE HOLDER	4	PA	□ Neutral	4410230	25	4510230	2500
4	FEMALE HOLDER	4	PA	□ Neutral	4410240	25	4510240	2500
5	MALE HOLDER	6	PA	□ Neutral	4410250	25	4510250	1000
6	FEMALE HOLDER	6	PA	□ Neutral	4410260	25	4510260	1000

CONNECTIONS AND FIXINGS

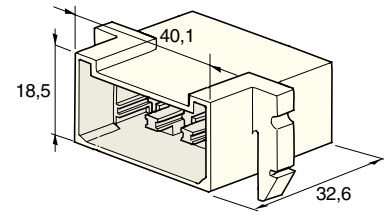


FASTON M630 W/LOCK.NOTCH FASTON F630 W/LOCK.NOTCH

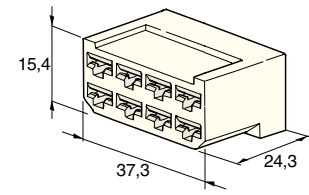
MULTIPLE 6,3



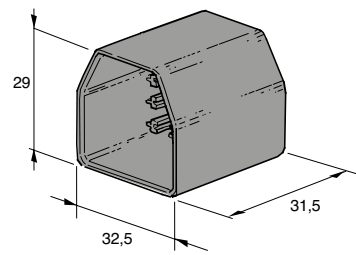
1



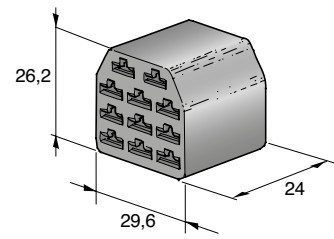
2



3



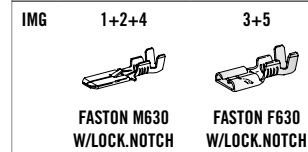
4



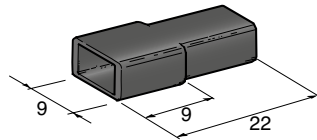
5

IMG	DESCRIPTION	WAY	MATERIAL	COLOUR	P/N BOX	MOQ	P/N BULK	MOQ
1	MALE HOLDER	8	PA	□ Neutral	4410270	20	4510270	1000
2	MALE HOLDER	8	PA	□ Neutral	4410290	10	4510290	1000
3	FEMALE HOLDER	8	PA	□ Neutral	4410280	20	4510280	1000
4	MALE HOLDER	11	PA	■ Black	4410295	20	4510295	300
5	FEMALE HOLDER	11	PA	■ Black	4410296	20	4510296	500

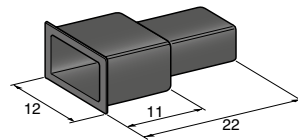
CONNECTIONS AND FIXINGS



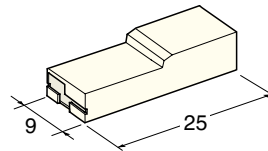
TERMINAL COVERS



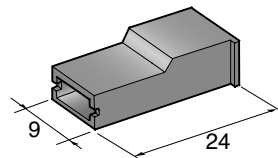
1



2



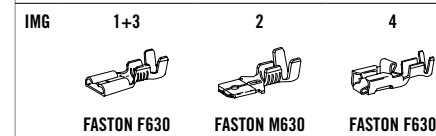
3



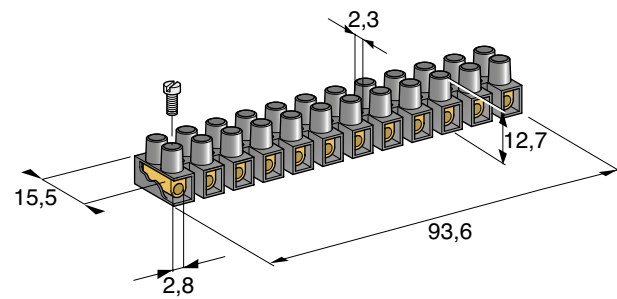
4

IMG	DESCRIPTION	MATERIAL	COLOUR	P/N BOX	MOQ
1	FEMALE 6,3 COVER	PE	Black	4410070	200
	FEMALE 6,3 COVER	PE	Yellow	4410072	200
	FEMALE 6,3 COVER	PE	Blue	4410073	200
	FEMALE 6,3 COVER	PE	Red	4410074	200
	FEMALE 6,3 COVER	PE	Neutral	4410076	200
2	MALE 6,3 COVER	PE	Black	4410080	200
	MALE 6,3 COVER	PE	Yellow	4410082	200
	MALE 6,3 COVER	PE	Red	4410084	200
	MALE 6,3 COVER	PE	Neutral	4410086	200
3	FEMALE 6,3 COVER	PA	Neutral	4410077	200
4	FEMALE 6,3 COVER	PA	Black	4420800	50

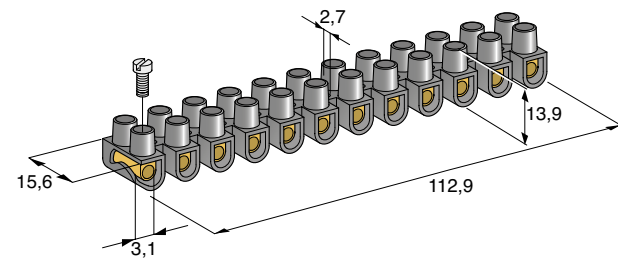
CONNECTIONS AND FIXINGS



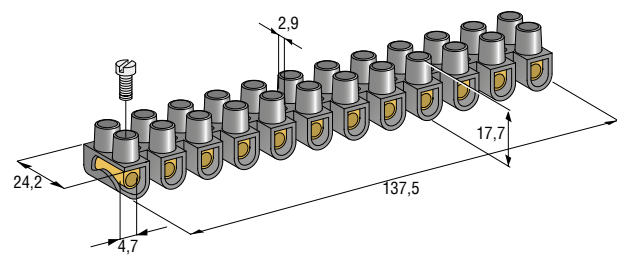
CONNECTOR STRIPS



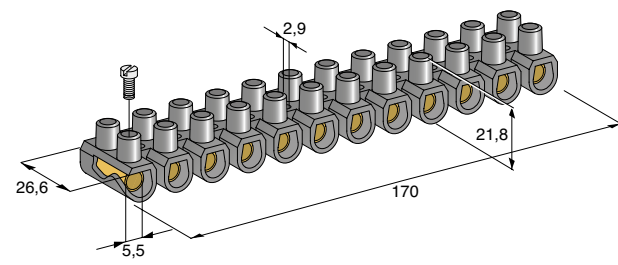
1



2



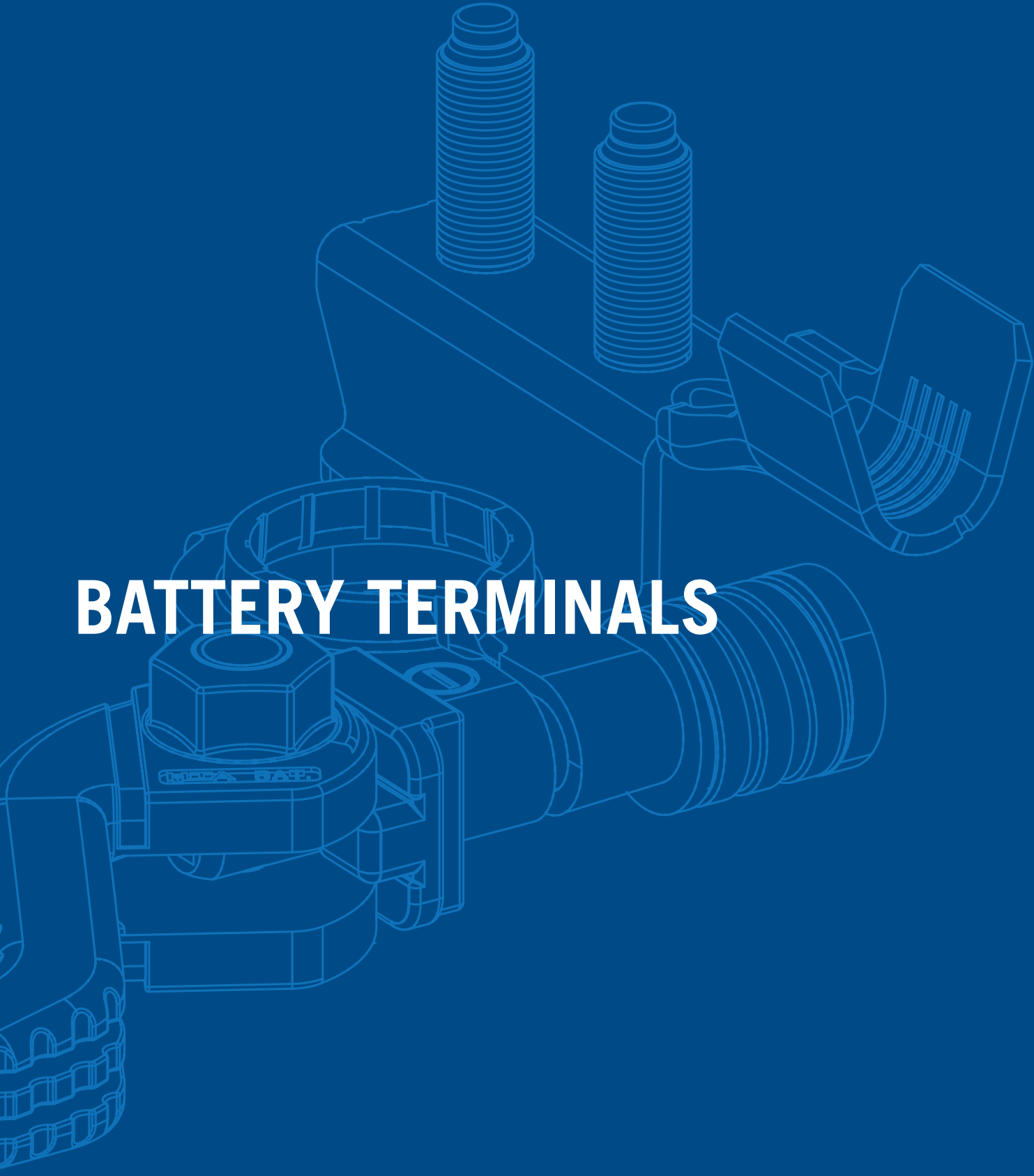
3



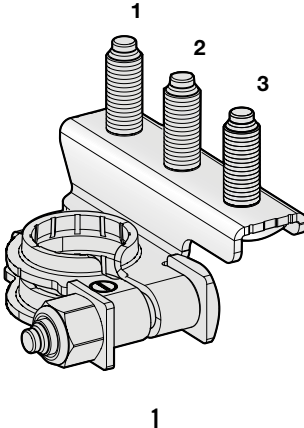
4

IMG	DESCRIPTION	WAY	MATERIAL	VOLT	In	OPERATION TEMP	CABLE SECTION mm ²	P/N BOX	MOQ
1	CONNECTOR STRIP	12	PP Black	380	24A	85°C	2,5	4430100	10
2	CONNECTOR STRIP	12	PP Black	380	24A	85°C	6	4430110	10
3	CONNECTOR STRIP	12	PP Black	450	24A	85°C	12	4430120	10
4	CONNECTOR STRIP	12	PP Black	450	24A	85°C	16	4430130	10

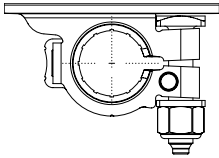
BATTERY TERMINALS



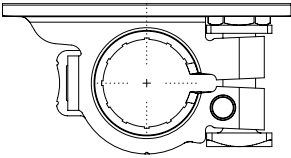
DOUBLE RING



IMG	DESCRIPTION	POLARITY	SCREW 1	SCREW 2	SCREW 3	MATERIAL	MATERIAL THICKNESS mm	P/N BOX	MOQ	P/N BULK	MOQ
1	M686DX	+	M6	M8	M6	CuZn-Sn	1,5	1507701	10	1507700	200
	M686DX	-	M6	M8	M6	CuZn-Sn	1,5	1507704	10	1507705	250
	M666DX	+	M6	M6	M6	CuZn-Sn	1,5			1507703	200
	M666DX	-	M6	M6	M6	CuZn-Sn	1,5			1507707	220
	M666SX	+	M6	M6	M6	CuZn-Sn	1,5			1507708	220
	M666SX	-	M6	M6	M6	CuZn-Sn	1,5			1507736	200
	M080SX	+	/	M8	/	CuZn-Sn	1,5			1507760	250
	M606DX	+	M6	/	M6	CuZn-Sn	1,5			1507772	250
	M606SX	+	M6	/	M6	CuZn-Sn	1,5			1507771	250
	M868DX	+	M8	M6	M8	CuZn-Sn	1,5			1507790	200

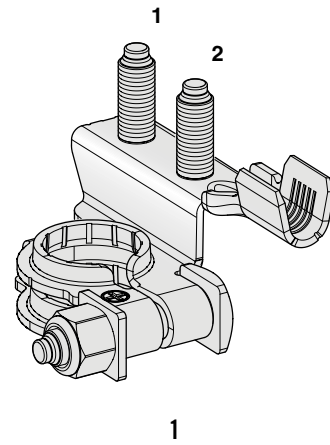


DX

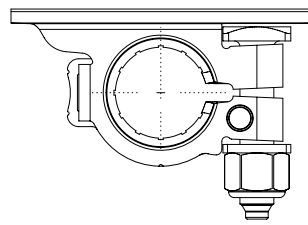


SX

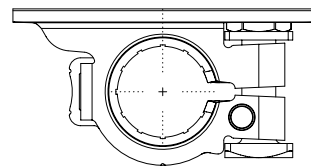
DOUBLE RING



IMG	DESCRIPTION	POLARITY	SCREW 1	SCREW 2	WIRE SECTION mm ²	MATERIAL	MATERIAL THICKNESS mm	P/N BULK	MOQ
1	M66DX	+	M6	M6	10÷20	CuZn-Sn	1,3	1507800	200
	M66DX	+	M6	M6	25÷40	CuZn-Sn	1,3	1507820	200
	M66DX	-	M6	M6	25÷40	CuZn-Sn	1,3	1507875	200
	M06SX	+	/	M6	25÷40	CuZn-Sn	1,3	1507830	200

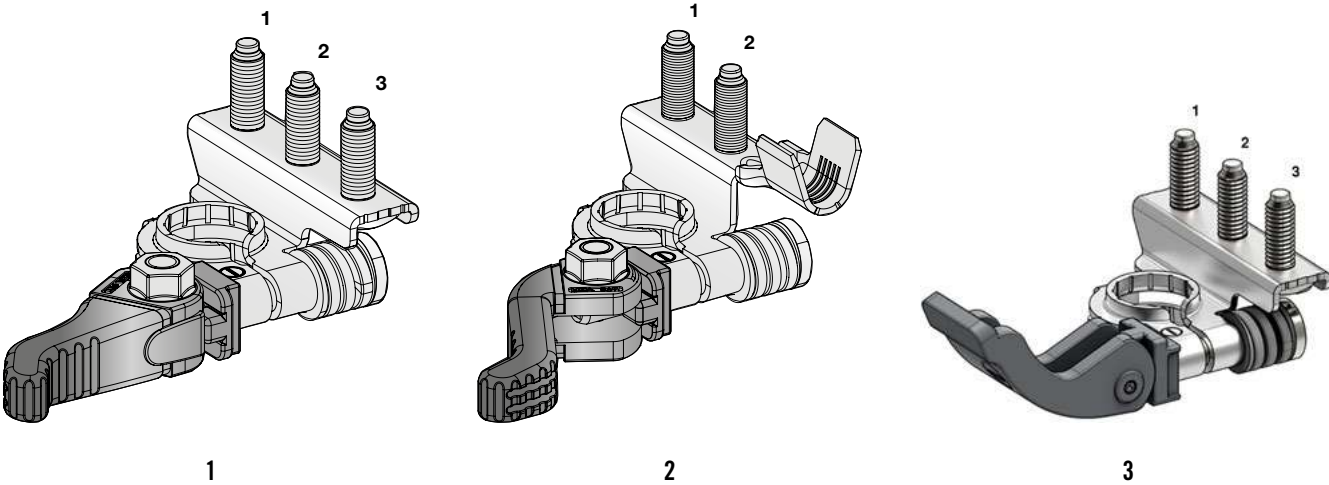


DX

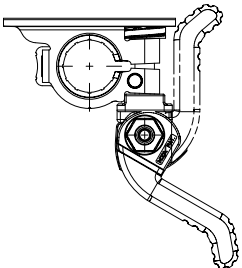


SX

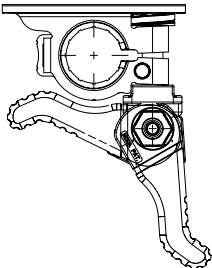
QUICK LOCK



IMG.	DESCRIPTION	POLARITY	SCREW 1	SCREW 2	SCREW 3	WIRE SECTION mm ²	MATERIAL	MATERIAL THICKNESS mm	P/N BULK	MOQ
1	M666SX	-	M6	M6	M6		CuZn-Sn	1,5	1507905	130
	M666SX	+	M6	M6	M6		CuZn-Sn	1,5	1507975	130
	M666DX	-	M6	M6	M6		CuZn-Sn	1,5	1507915	130
2	M66DX	-	M6	M6		10÷20	CuZn-Sn	1,3	1507925	130
	M66DX	-	M6	M6		25÷40	CuZn-Sn	1,3	1507955	130
	M60DX	-	M6			10÷20	CuZn-Sn	1,3	1507946	100
	M66DX	-	M6	M6		AWG1	CuZn-Sn	1,3	1507957	200
3	VQR	-	M6	M6	M6		CuZn33-Sn	1,5	1507601	100

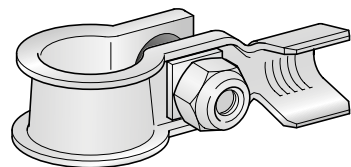


DX



SX

STRIP TYPE

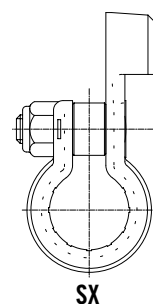
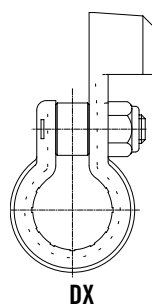


1

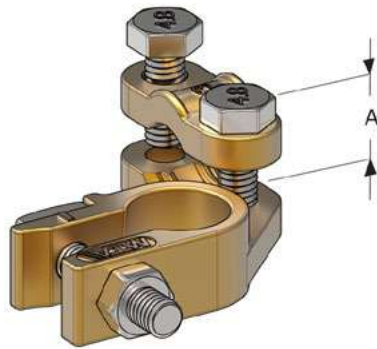


2

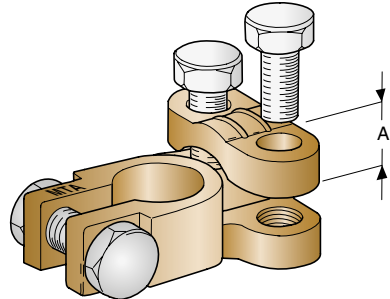
IMG	DESCRIPTION	POLARITY	SCREW 1	WIRE SECTION mm ²	MATERIAL	MATERIAL THICKNESS mm	P/N BULK	MOQ
1	STRIP DX	-		10÷20	CuZn-Sn	1,2	1506655	400
	STRIP DX	-		25÷40	CuZn-Sn	1,2	1506665	400
	STRIP SX	-		10÷20	CuZn-Sn	1,2	1506658	400
	STRIP SX	-		25÷40	CuZn-Sn	1,2	1506668	400
	STRIP DX	+		10÷20	CuZn-Sn	1,2	1506720	400
	STRIP DX	+		25÷40	CuZn-Sn	1,2	1506730	400
2	STRIP SX	-	M8		CuZn-Sn	1,2	1506678	400



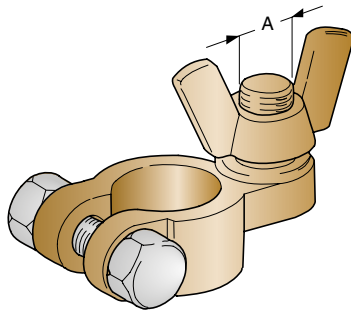
DIE CAST



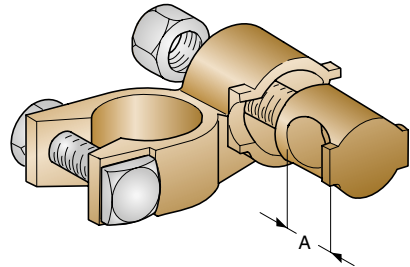
1



2



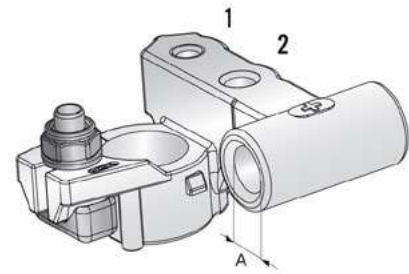
3



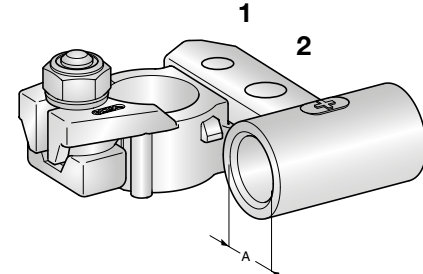
4

IMG	DESCRIPTION	POLARITY	WIRE SECTION mm ²	MATERIAL	A mm ²	P/N BOX	MOQ
1	DIE CAST	+		BRASS	25÷50	1506100	25
	DIE CAST	-		BRASS	25÷50	1506110	25
2	DIE CAST	+		BRASS	25÷50	1506270	25
	DIE CAST	-		BRASS	25÷50	1506280	25
3	DIE CAST	+		BRASS	M10	1506120	25
	DIE CAST	-		BRASS	M8	1506130	25
4	BATTERY TERMINAL	+	25	BRASS		1506250	25
	BATTERY TERMINAL	-	25	BRASS		1506260	25

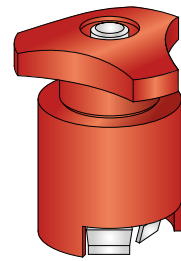
DIE CAST & FRENCH TYPES



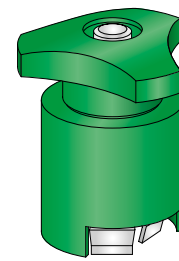
1



2



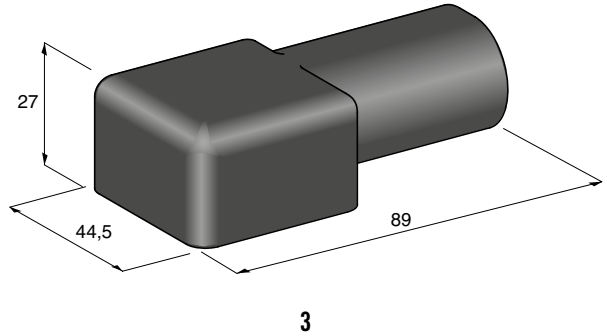
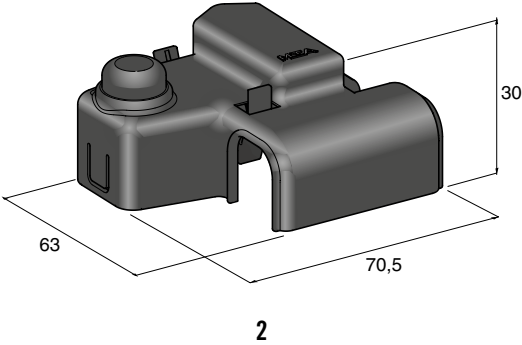
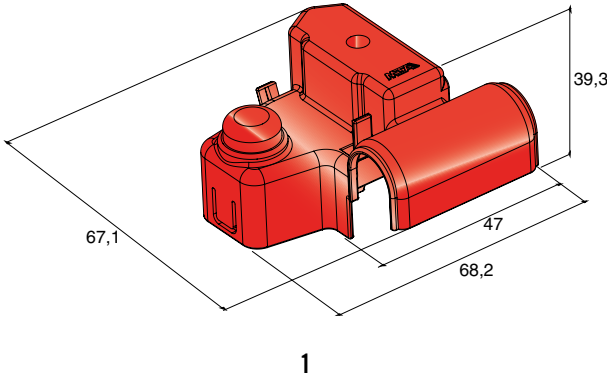
3



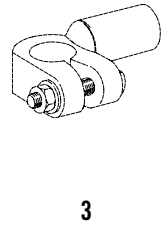
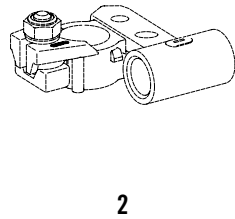
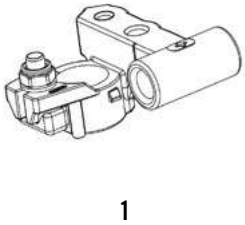
4

IMG	DESCRIPTION	POLARITY	SCREW 1	SCREW 2	A mm ²	MATERIAL	COLOUR	P/N BULK	MOQ
1	DIE CAST	+	M6	M8	50	BRASS Sn		1506765	70
2	DIE CAST	+	M6	M8	70	BRASS Sn		1506740	150
	DIE CAST	-	M6	M8	50	BRASS Sn		1506760	150
3	BATTERY TERMINAL	+	-			PE - NYLON	■ RED	1506200	25
4	BATTERY TERMINAL	-	-			PE - NYLON	■ GREEN	1506210	25

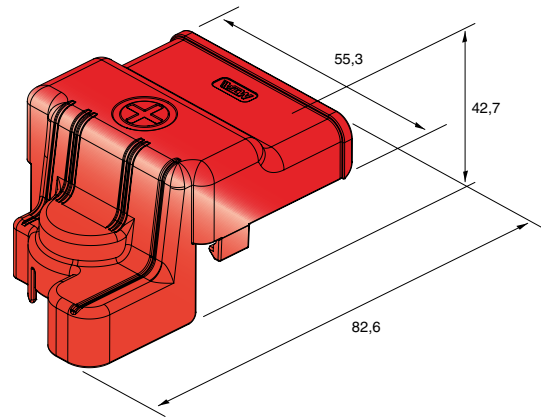
PROTECTION COVERS



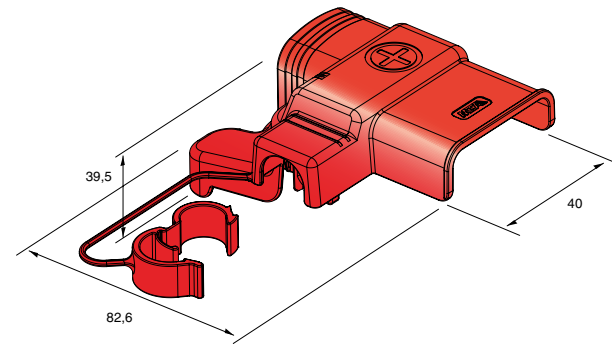
IMG	DESCRIPTION	POLARITY	MATERIAL	COLOUR	P/N BULK	MOQ
1	COVER FOR 1506765	+	PP	Red	4510499	500
2	COVER FOR 150674X	+	PP	Red	4510496	500
	COVER FOR 150676X	-	PP	Black	4510497	500
3	COVER		EPDM	Black	4510495	500



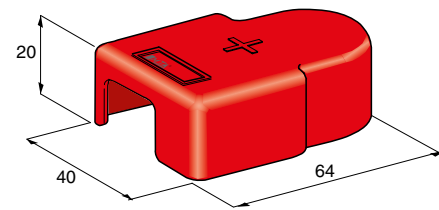
PROTECTION COVERS



1

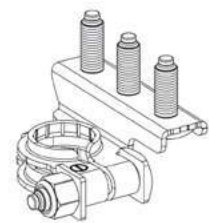


2

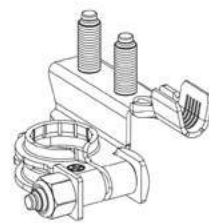


3

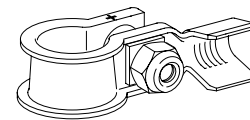
IMG	DESCRIPTION	POLARITY	MATERIAL	COLOUR	P/N BULK	MOQ
1	COVER FOR 15077XX	+	PP	Red	4510503	100
2	COVER FOR 15078XX	+	PP	Red	4510502	100
3	COVER FOR 1506720/21/30/31	+	PP	Red	4510480	500



1



2

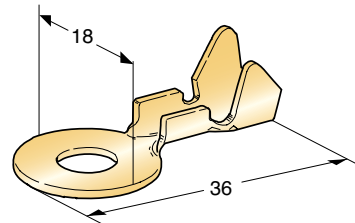


3

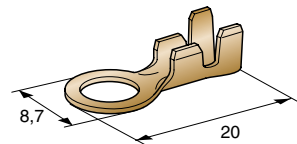


TERMINALS

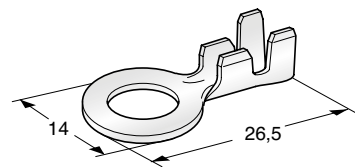
STANDARD RING



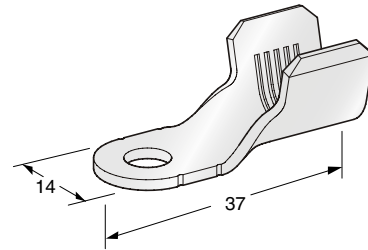
1



2



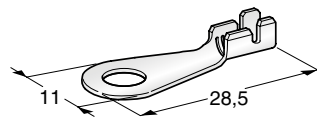
3



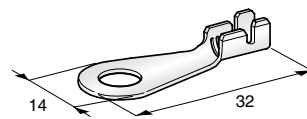
4

IMG	DESCRIPTION	SCREW	WIRE SECTION mm ²	MATERIAL	MATERIAL THICKNESS mm	P/N BOX	MOQ	P/N BULK	MOQ
1	UNI679 L35	M10	4÷6	CuZn	0,7	1602550	100		
2	STD L22	M4	1÷2,5	CuZn	0,6	1602970	100		
	STD L22	M5	1÷2,5	CuZn	0,6	1602980	100		
	STD L22	M6	1÷2,5	CuZn	0,6	1602981	100		
3	STD L26	M6	3÷6	CuZn	0,8	1602990	100		
	STD L26	M8	3÷6	CuZn	0,8	1603000	100		
4	STD L37	M6	25÷40	CuZn-Sn	1,5			1609000	2000

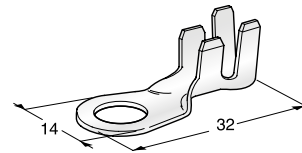
GROUND



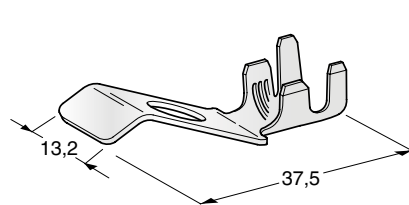
1



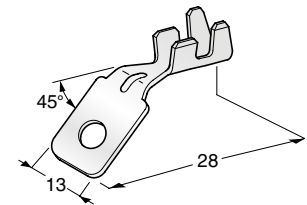
2



3



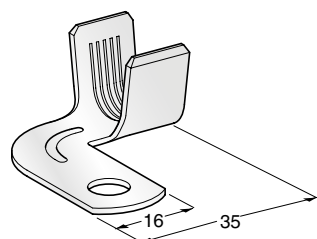
4



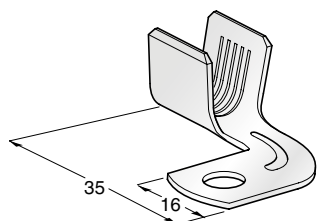
5

IMG	DESCRIPTION	SCREW	WIRE SECTION mm ²	MATERIAL	MATERIAL THICKNESS mm	P/N REEL	MOQ
1	GND L28	M5	0,5÷1,5	CuZn-Sn	0,6	1706740	12000
	GND-FLY L28	M5	0,5÷1,5	CuZn-Sn	0,6	1706741	12000
2	GND L32	M6	1÷2,5	CuZn-Sn	0,8	1706720	6000
	GND L32	M6	4÷6	CuZn-Sn	0,8	1706700	4500
	GND L32	M6	8÷10	CuZn-Sn	0,8	1706750	2400
	GND L32	M8	1÷2,5	CuZn-Sn	0,8	1706730	6000
	GND L32	M8	4÷6	CuZn-Sn	0,8	1706710	4500
	GND L32	M8	8÷10	CuZn-Sn	0,8	1706760	2400
3	GND FLY L32	M6	1÷2,5	CuZn-Sn	0,8	1706721	6000
	GND FLY L32	M6	3÷6	CuZn-Sn	0,8	1706701	4500
	GND FLY L32	M8	1÷2,5	CuZn-Sn	0,8	1706731	6000
	GND FLY L32	M8	3÷6	CuZn-Sn	0,8	1706711	4500
4	GND 188 TW25	M8	2,5÷4	CuZn-Sn	0,8	1708150	2400
5	GND 188 G45	M5	2,5÷6	CuZn-Sn	0,8	1708160	2400

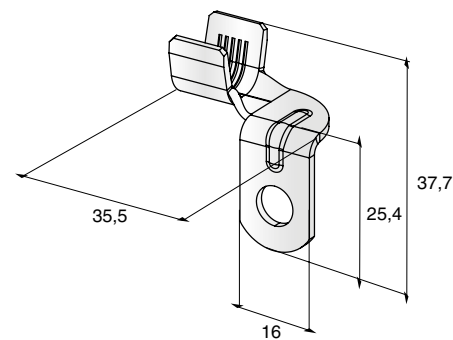
CBA



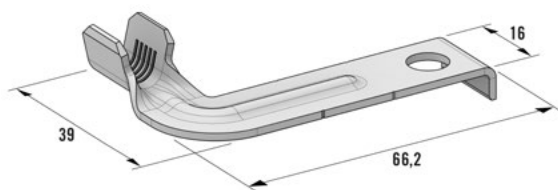
1



2



3

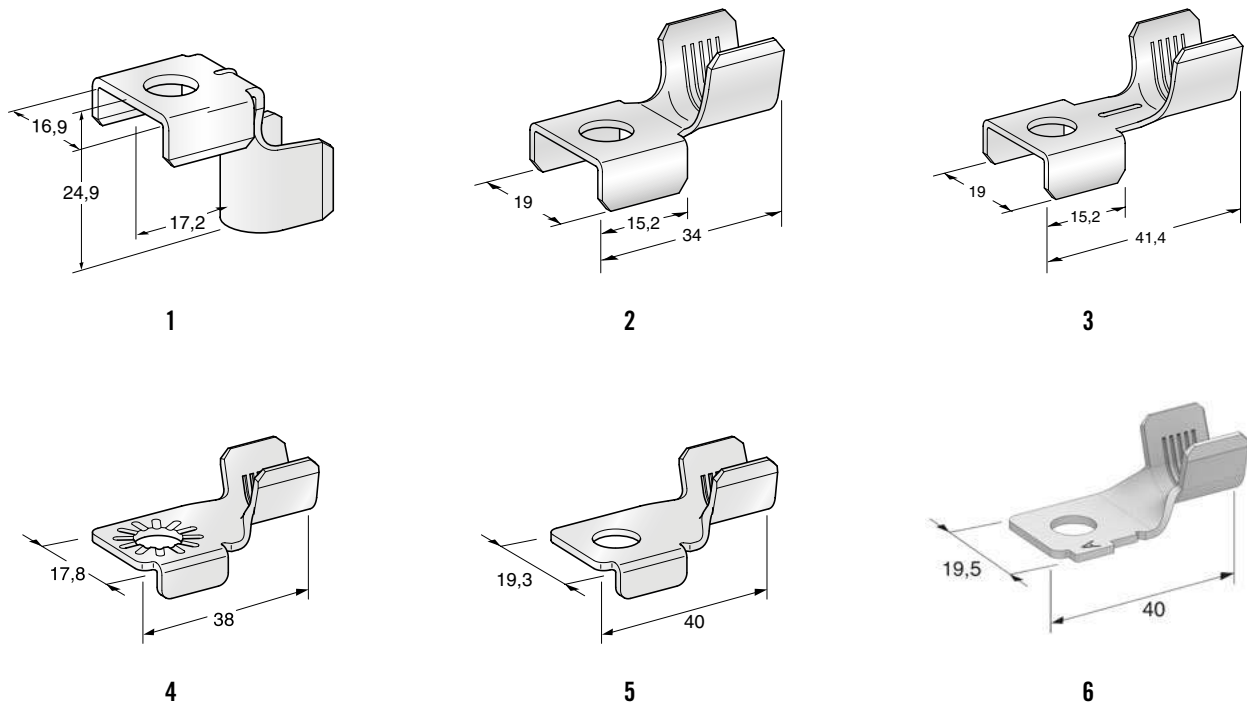


4

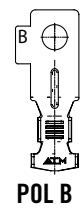
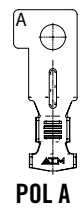
NEW

IMG	DESCRIPTION	SCREW	WIRE SECTION mm ²	MATERIAL	MATERIAL THICKNESS mm	P/N BOX	MOQ	P/N REEL	MOQ
1	CBA FL 90	M8	10÷20	CuZn-Sn	1,5			1708170	800
	CBA FL 90	M6	10÷20	CuZn-Sn	1,5			1708175	1000
2	CBA FL 90	M6	25÷42	CuZn-Sn	1,5	1604300	1500		
	CBA FL 90	M8	25÷42	CuZn-Sn	1,5	1608210	1500	1708210	600
	CBA FL 90	M6	25÷42	CuZn-Sn	1,5			1708215	1200
	CBA FL 90	M8	50÷70	CuZn-Sn	1,8			1708230	600
	CBA FL 90	M6	50	CuZn-Sn	1,8			1708231	600
	CBA FL 90	M8	50	CuZn-Sn	1,8			1708233	600
3	CBA SX FL90	M6	20÷40	CuZn-Sn	1,8			1708325	600
	CBA SX FL90	M8	20÷40	CuZn-Sn	1,8			1708320	600
	CBA SX FL90	M6	50÷70	CuZn-Sn	1,8			1708315	600
	CBA SX FL90	M8	50÷70	CuZn-Sn	1,8			1708310	600
4	CBA SX G90	M8	20÷40	CuZn-Sn	1,8	1608323	1000		
4	CBA J81 L4	M8	10÷20	Cu-Sn	1,8	1609200	350		

MEGA



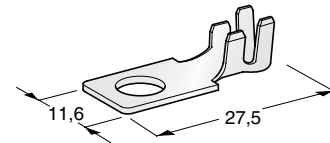
IMG	DESCRIPTION	SCREW	WIRE SECTION mm ²	MATERIAL	MATERIAL THICKNESS mm	P/N BOX	MOQ	P/N REEL	MOQ
1	MEGA G90	M8	10÷20	Cu-Sn	1,5	1608180	650		
	MEGA G90	M8	25÷35	Cu-Sn	1,5	1608190	500		
2	MEGA L34	M8	10÷20	Cu-Sn	1,2	1108110	10	1708110	1200
	MEGA L34	M8	25÷35	Cu-Sn	1,2	1108120	10	1708120	900
3	MEGA L41	M8	25÷40	Cu-Sn	1,5	1608196	500		
4	W84 L38	M8	10÷25	CuZn-Sn	1,5	1608800	1400		
5	W62 L40	M8	25÷40	Cu-Sn	1,5	1609320	700		
6	W62 L40 POL.A	M8	25÷40	Cu-Sn	1,5	1609330	700		
	W62 L40 POL.B	M8	25÷40	Cu-Sn	1,5	1609340	700		



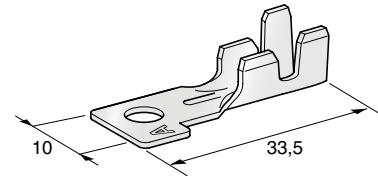
MIDI



1

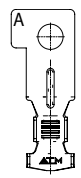


2

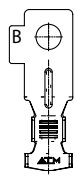


3

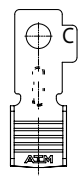
IMG	DESCRIPTION	SCREW	WIRE SECTION mm ²	MATERIAL	MATERIAL THICKNESS mm	P/N REEL	MOQ
1	MIDI L26	M4	2,5÷4	CuZn-Sn	0,8	1708280	2000
2	MIDI L27	M5	2,5÷4	CuZn-Sn	0,8	1708240	2000
	MIDI L28	M5	6÷8	CuZn-Sn	0,8	1708245	1600
	MIDI L28	M6	6÷8	CuZn-Sn	0,8	1708246	1600
3	MIDI L33 UNI	M5	2,5÷4	Cu-Sn	0,8	1705606	2000
	MIDI L33 POL A	M5	2,5÷4	Cu-Sn	0,8	1705616	2000
	MIDI L33 POL B	M5	2,5÷4	Cu-Sn	0,8	1705626	2000
	MIDI L33 POL E	M5	2,5÷4	Cu-Sn	0,8	1705656	2000
NEW	MIDI L33 UNI	M5	6÷8	Cu-Sn	0,8	1705705	2000
	MIDI L33 POL A	M5	6÷8	Cu-Sn	0,8	1705715	2000
	MIDI L33 POL B	M5	6÷8	Cu-Sn	0,8	1705725	2000
	MIDI L33 POL D	M5	6÷8	Cu-Sn	0,8	1705745	2000
	MIDI L33 POL C	M5	6÷8	Cu-Sn	0,8	1705735	2000



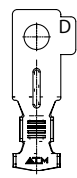
POL A



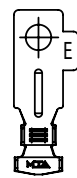
POL B



POL C

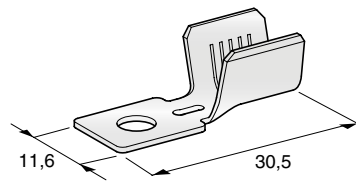


POL D

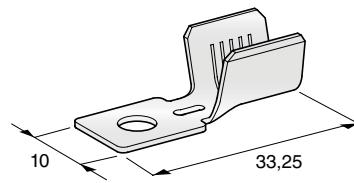


POL E

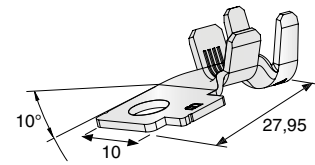
MIDI



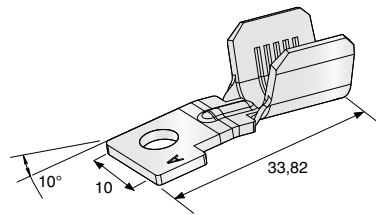
1



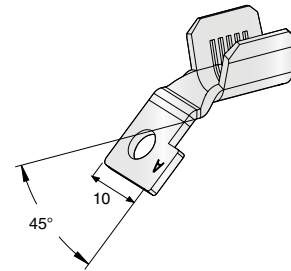
2



3



4

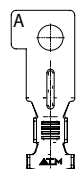


5

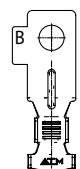
NEW

NEW

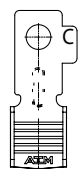
IMG	DESCRIPTION	SCREW	WIRE SECTION mm ²	MATERIAL	MATERIAL THICKNESS mm	P/N BOX	MOQ	P/N REEL	MOQ	
1	MIDI L30	M5	10÷16	CuZn-Sn	0,8			1708250	1600	
	MIDI L30	M6	10÷16	CuZn-Sn	0,8			1708251	1600	
2	MIDI L33 UNI	M5	25÷35	Cu-Sn	1,5			1605905	800	
	MIDI L33 POL A	M5	10÷20	Cu-Sn	1,5			1705855	1000	
	MIDI L33 POL B	M5	10÷20	Cu-Sn	1,5			1705825	1000	
	MIDI L33 POL B	M5	25÷35	Cu-Sn	1,5			1705925	800	
	MIDI L33 POL C	M5	10÷20	Cu-Sn	1,5			1705835	1000	
	MIDI L33 POL D	M5	10÷20	Cu-Sn	1,5			1705856	1000	
3	MIDI L33 POL E	M5	10÷20	Cu-Sn	1,5			1705857	1000	
	MIDI G10 POL B	M5	6÷8	CuZn-Sn	1			1705726	2700	
	4	MIDI G10 POL A	M5	10÷20	CuZn-Sn	1,5			1705816	1000
		MIDI G10 POL B	M5	10÷20	CuZn-Sn	1,5			1705826	1000
5	MIDI G10 POL D	M5	10÷20	CuZn-Sn	1,5			1705846	1000	
	MIDI G135 POL A	M5	10÷20	CuZn-Sn	1,5	1605815	1500			



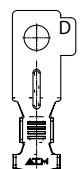
POL A



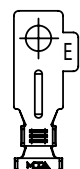
POL B



POL C

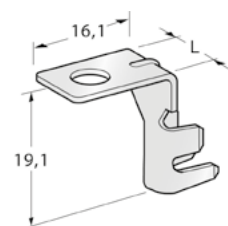


POL D

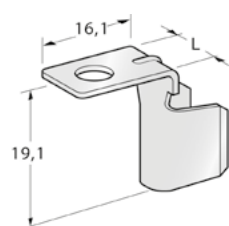


POL E

MIDI G90

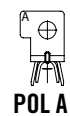


1

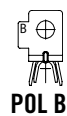


2

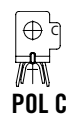
IMG	DESCRIPTION	L mm	SCREW	WIRE SECTION mm ²	MATERIAL	MATERIAL THICKNESS mm	P/N BOX	MOQ
1	MIDI G90 UNI	10	M5	2,5÷4	Cu-Sn	0,8	1605600	2500
	MIDI G90 UNI	10	M5	6÷8	Cu-Sn	0,8	1605700	2500
	MIDI G90 POL A	10	M5	2,5÷4	Cu-Sn	0,8	1605610	2500
	MIDI G90 POL A	10	M5	6÷8	Cu-Sn	0,8	1605710	2000
	MIDI G90 POL B	10	M5	2,5÷4	Cu-Sn	0,8	1605620	2500
	MIDI G90 POL B	10	M5	6÷8	Cu-Sn	0,8	1605720	2000
	MIDI G90 POL C	10	M5	2,5÷4	Cu-Sn	0,8	1605630	2500
	MIDI G90 POL C	10	M5	6÷8	Cu-Sn	0,8	1605730	2000
	MIDI G90 POL E	10	M5	2,5÷4	Cu-Sn	0,8	1605650	2500
	2	MIDI G90 UNI	10	M5	10÷20	Cu-Sn	1,5	1605800
MIDI G90 UNI		10	M5	25÷35	Cu-Sn	1,5	1605900	1500
MIDI G90 POL A		10	M5	10÷20	Cu-Sn	1,5	1605810	1500
MIDI G90 POL A		10	M5	25÷35	Cu-Sn	1,5	1605910	2000
MIDI G90 POL B		10	M5	10÷20	Cu-Sn	1,5	1605820	1500
MIDI G90 POL B		10	M5	25÷35	Cu-Sn	1,5	1605920	2000
MIDI G90 POL C		10	M5	10÷20	Cu-Sn	1,5	1605830	1500
MIDI G90 POL C		10	M5	25÷35	Cu-Sn	1,5	1605930	2000
MIDI G90 POL G		10	M5	10÷20	Cu-Sn	1,5	1605847	1500
MIDI G90 POL A		13	M6	10÷20	Cu-Sn	1,5	1605811	1200
MIDI G90 POL C	13	M6	25÷35	Cu-Sn	1,5	1605911	1000	



POL A



POL B



POL C

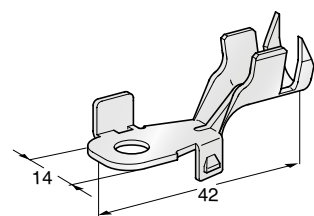


POL E

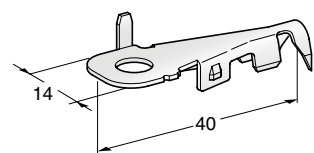


POL G

REVERSIBLE



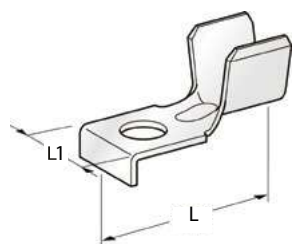
1



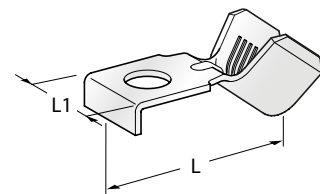
2

IMG	DESCRIPTION	SCREW	WIRE SECTION mm ²	MATERIAL	MATERIAL THICKNESS mm	P/N REEL	MOQ
1	RVS-A L42	M6	2,5÷4	Cu-Sn	0,8	1706900	1200
	RVS-A L42	M6	6÷8	Cu-Sn	1	1706910	1400
	RVS-A L42	M6	10÷16	Cu-Sn	1,2	1706920	900
2	RVS-B L40	M6	2,5÷4	Cu-Sn	0,8	1706930	2200
	RVS-B L40	M6	6÷8	Cu-Sn	1	1706940	2000

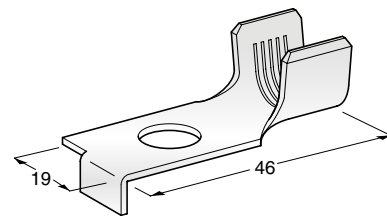
SQUARE



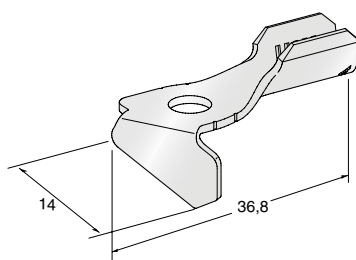
1



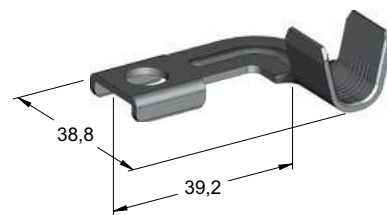
2



3



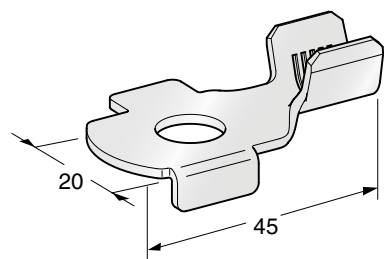
4



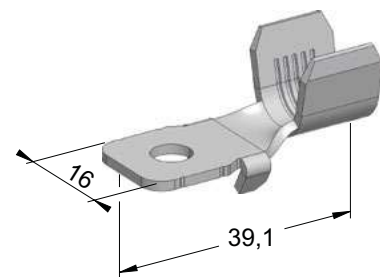
5

IMG	DESCRIPTION	L mm	L1 mm	SCREW	WIRE SECTION mm ²	MATERIAL	MATERIAL THICKNESS mm	P/N BOX	MOQ	P/N REEL	MOQ
1	SQR-A	35,5	12	M5	10÷20	CuZn-Sn	1,2			1706990	1200
	SQR-A	35,5	16	M6	10÷20	CuZn-Sn	1,2	1906970	1000	1706970	1200
	SQR-A	35,5	16	M6	25÷35	CuZn-Sn	1,2			1706980	1000
	SQR-A	35,5	16	M6	25÷40	CuETP-Sn	1,5	1606981	1800		
	SQR-A	35,5	16	M8	10÷20	CuZn-Sn	1,2			1706950	1200
	SQR-A	35,5	16	M8	25÷35	CuZn-Sn	1,2			1706960	1000
	SQR-A	35,5	16	M8	25÷40	CuZn-Sn	1,5	1606990	800		
	SQR-A	37,1	16	M8	25÷40	CuZn-Sn	1,5	1606992	800		
2	SQR-A G45	37,1	16	M8	25÷40	CuZn-Sn	1,5	1606994	900		
	SQR-A G40	38,7	16	M6	25÷40	CuZn-Sn	1,2	1606982	2000		
3	SQR-B L46			M10	10÷20	CuZn-Sn	1,5			1708220	800
	SQR-B L46			M10	25÷35	CuZn-Sn	1,5			1708200	700
4	SQR-30			M6	10÷20	CuZn-Sn	1,2	1608345	1000		
	SQR-30			M6	25÷40	CuZn-Sn	1,2	1608346	800		
NEW 5	SQR-FL90 GROUND			M8	25÷40	Cu-Sn	1,5	1600048	200		

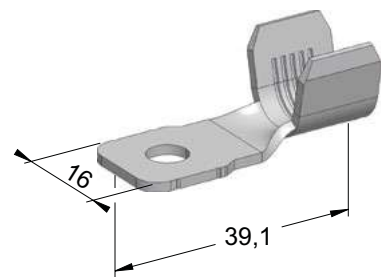
SQUARE



1



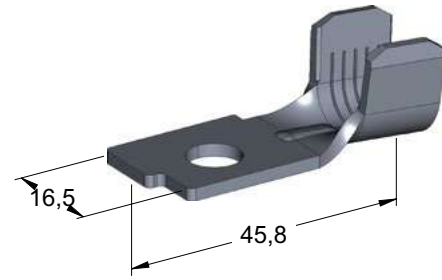
2



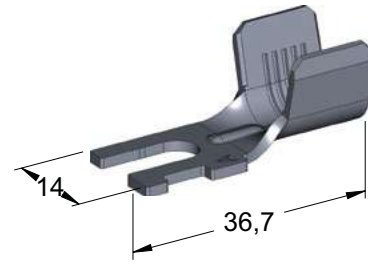
3

IMG	DESCRIPTION	SCREW	WIRE SECTION mm ²	MATERIAL	MATERIAL THICKNESS mm	P/N REEL	MOQ
1	SQR-C L45 SX	M10	25÷40	CuZn-Sn	1,5	1708270	700
2	SQR-C MY03	M6	10÷20	CuZn-Sn	1,5	1706975	1200
	SQR-C MY03	M6	25÷40	CuZn-Sn	1,5	1706977	700
3	SQR-C UNI	M6	25÷40	CuZn-Sn	1,5	1706712	700

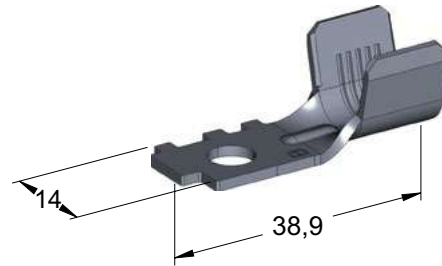
SQUARE



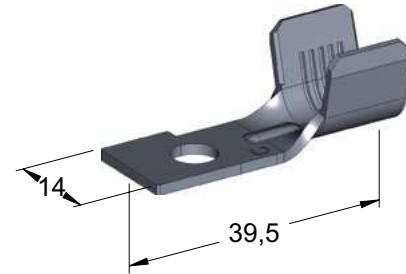
1



2



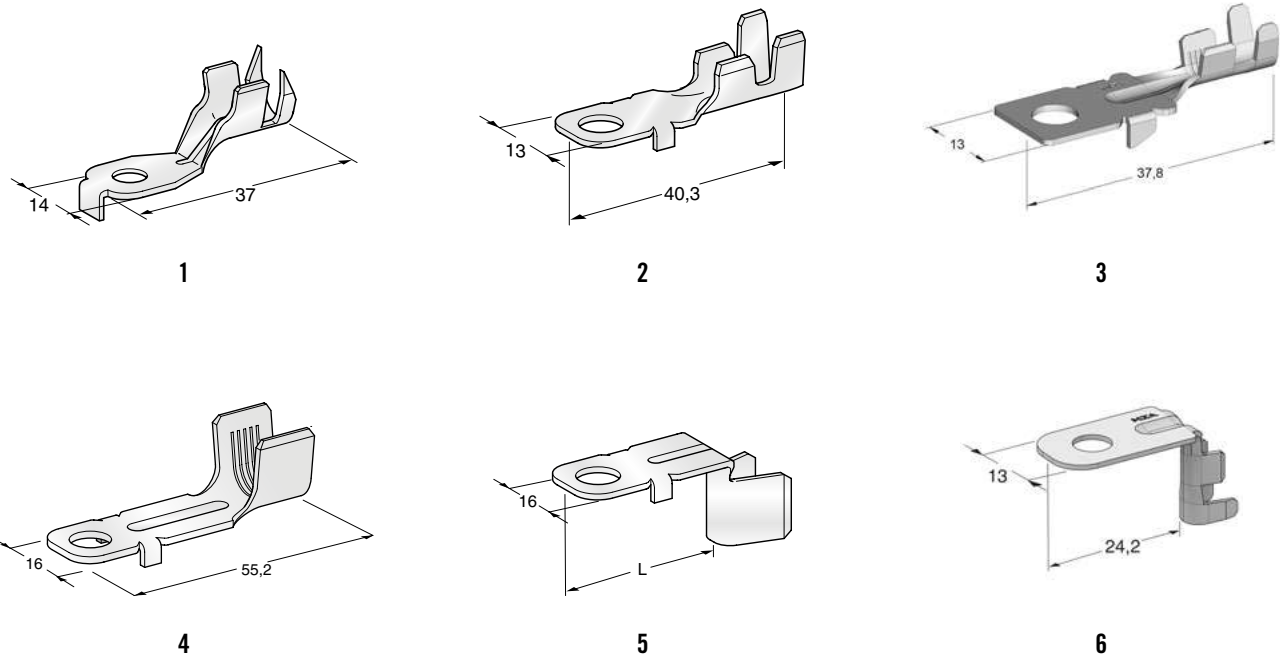
3



4

IMG	DESCRIPTION	L mm	SCREW	WIRE SECTION mm ²	MATERIAL	MATERIAL THICKNESS mm	P/N BULK	MOQ	P/N REEL	MOQ
1	SQR	45,73	M8	35	Cu-Sn	1,2	1603008	550	1603004	500
2	SQR POL A	36,5	M6	25 -35	Cu-Sn	1,5	1603005	1000	1603001	800
3	SQR POL B	38,7	M6	25 -35	Cu-Sn	1,5	1603006	1000	1603002	800
4	SQR POL C	39,3	M6	25 -35	Cu-Sn	1,5	1603007	1000	1603003	800

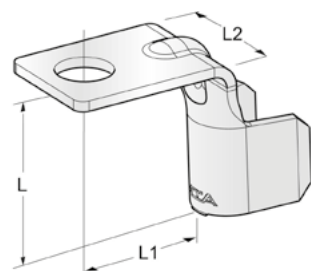
SMT



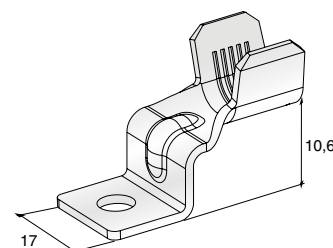
NEW

IMG	DESCRIPTION	L mm	SCREW	WIRE SECTION mm ²	MATERIAL	MATERIAL THICKNESS mm	P/N BOX	MOQ	P/N REEL	MOQ
1	SMT-A L39		M6	4÷8	CuZn-Sn	1			1706880	1400
	SMT-A L39		M6	10÷16	CuZn-Sn	1,2			1706890	1200
2	SMT-B L40		M6	2,5÷4	CuZn-Sn	0,8			1706600	2000
3	SMT-C L37		M6	2,5÷4	CuZn-Sn	0,8			1706713	2000
4	SMT-C L55		M8	50÷70	CuZn-Sn	1,5	1606796	1000		
5	SMT-C G90	33	M6	6÷8	CuZn-Sn	1,2	1606775	500		
	SMT-C G90	33	M6	10÷20	CuZn-Sn	1,2	1606770	2000		
	SMT-C G90	33	M6	25÷40	CuZn-Sn	1,2	1606500	600		
	SMT-C G90	33	M8	25÷40	CuZn-Sn	1,2	1606785	600		
	SMT-C G90	35,6	M8	50÷70	CuZn-Sn	1,5	1606795	1000		
6	SMT-B G90		M8	2,5÷4	CuZn-Sn	0,8	1606791	2000		

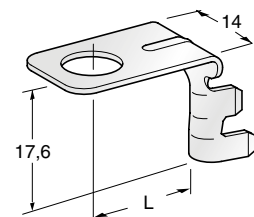
SPECIAL TYPES



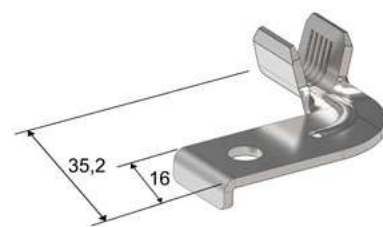
1



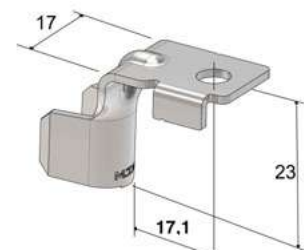
2



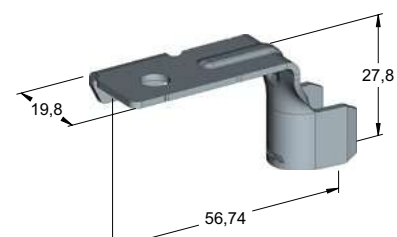
3



4



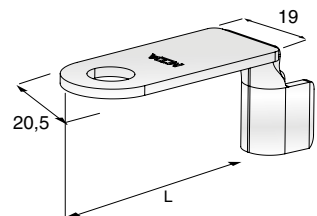
5



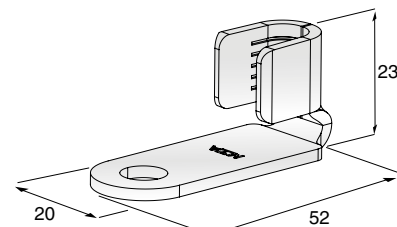
6

IMG	DESCRIPTION	L mm	L1 mm	L2 mm	SCREW	WIRE SECTION mm ²	MATERIAL	MATERIAL THICKNESS mm	P/N BOX	MOQ
1	FDU G90	23	10,7	17	M8	25÷40	CuZn-Sn	1,5	1608380	1500
	FDU G90	23	10,7	17	M6	25÷40	CuZn-Sn	1,5	1608381	700
	FDU G90	27,4	10,7	17	M6	25÷35	Cu-Sn	1,5	1608384	600
	G90	23	16	16	M8	40, 50, 70	Cu-Sn	1,8	1607500	600
2	G90	24	16	16	M8	30 + 30	Cu-Sn	1,8	1617500	600
	FDU G90				M6	25÷40	CuZn-Sn	1,5	1608382	700
3	PTC G90	15,4			M8	2,5÷4	Cu-Sn	0,8	1608500	1700
	STR-S G90	11,4			M6	2,5÷4	Cu-Sn	0,8	1608510	2300
4	FDU GM90M6P				M6	25÷35	CuZn-Sn	1,5	1704010	600
5	SX FL90 P				M6	20 - 35	CuZn-Sn	1,8	1704000	500
NEW 6	NEGATIVE BATTERY RING TERMINAL				M6	35 - 50	Cu-Sn	1,5	1600047	500

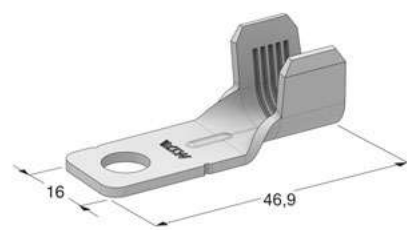
SPECIAL TYPES



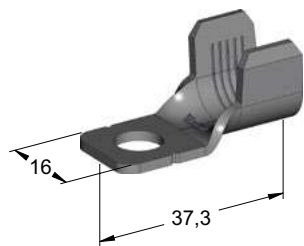
1



2



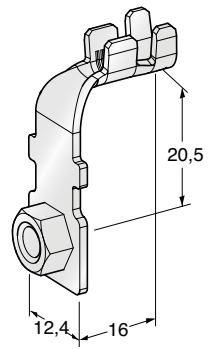
3



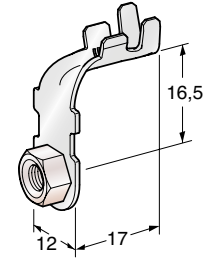
4

IMG	DESCRIPTION	L mm	SCREW	WIRE SECTION mm ²	MATERIAL	MATERIAL THICKNESS mm	P/N BOX	MOQ
1	G90	44,5	M8	16	CuZn-Sn	1,9	1793752	500
	G90	54,5	M8	16	CuZn-Sn	1,9	1796416	2000
2	G90		M8	35	CuZn-Sn	2,3	1793753	500
3	L47		M8	40, 50, 70	Cu-Sn	1,8	1607510	600
NEW 4	L37		M8	40÷70	Cu-Sn	1,8	1607511	600

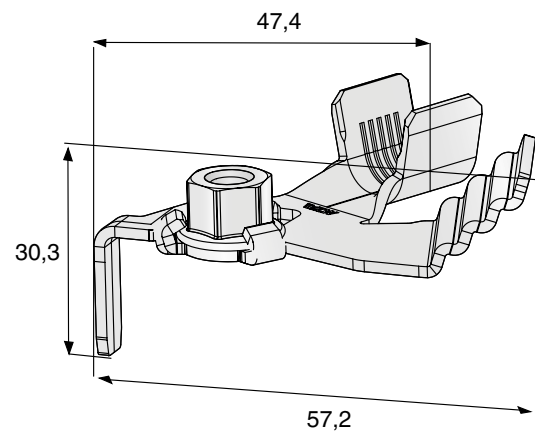
NUT TYPES



1



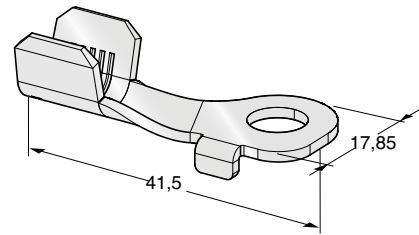
2



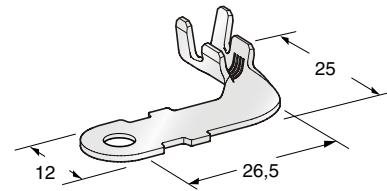
3

IMG	DESCRIPTION	SCREW	WIRE SECTION mm ²	MATERIAL	MATERIAL THICKNESS mm	P/N BOX	MOQ
1	NUT G90 SH	M5	2,5÷5	CuZn-Sn	1,2	1608420	1500
2	NUT G90	M5	2,5÷5	CuZn-Sn	1	1608400	1500
3	JUMP START W95	M6	25÷40	CuZn-Sn	1,5	1608460	230

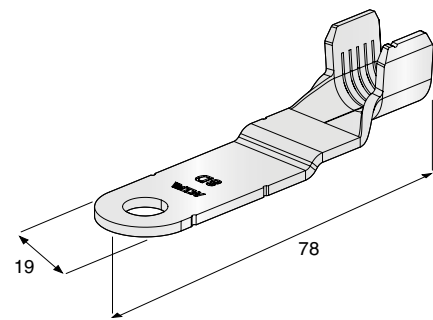
SPECIAL TYPES



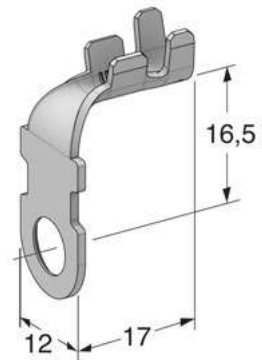
1



2



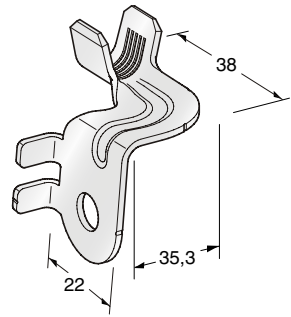
3



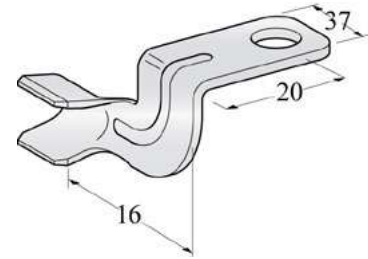
4

IMG	DESCRIPTION	SCREW	WIRE SECTION mm ²	MATERIAL	MATERIAL THICKNESS mm	P/N BOX	MOQ	P/N REEL	MOQ
1	STARTER L41	M8	10÷20	CuZn-Sn	1,5			1708360	1000
	STARTER L41	M8	25÷40	CuZn-Sn	1,5			1708370	800
2	X70 FL90	M5	4÷7	CuZn-Sn	1	1608415	2000		
3	ALTERNATOR	M8	35÷50	Cu-Sn	2	1607400	300		
4	G90	M6	2,5÷5	CuZn-Sn	1	1606995	2000		

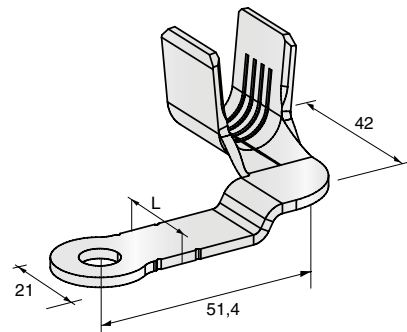
SPECIAL TYPES



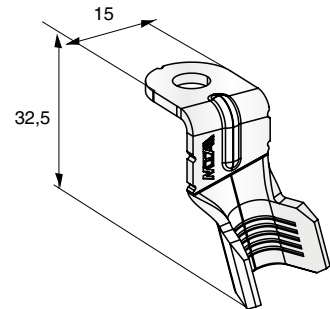
1



2



3

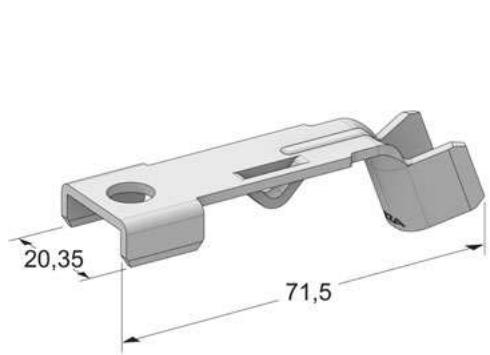


4

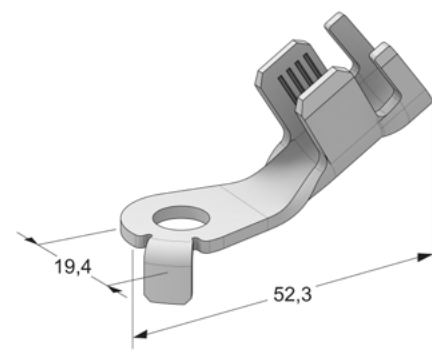
IMG	DESCRIPTION	L mm	SCREW	WIRE SECTION mm ²	MATERIAL	MATERIAL THICKNESS mm	P/N BOX	MOQ
1	ND TW90		M8	25÷40	Cu-Sn	1,5	1609100	280
2	FLANGE TW90		M8	10÷20	Cu-Sn	1,5	1608600	450
3	FLANGE TW90		M8	25÷35	Cu-Sn	1,5	1608700	450
	D21	16	M8	16÷41	CuZn-Sn	2	1609910	380
	D21	13	M8	14÷41	CuZn-Sn	2	1609920	250
4	D21	16	M8	16÷41	Cu-Sn	2	1609911	250
	FL15 G90		M6	25÷35	Cu-Sn	1,8	1608520	700

NEW

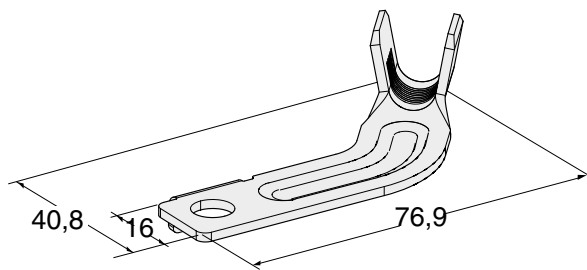
SPECIAL TYPES



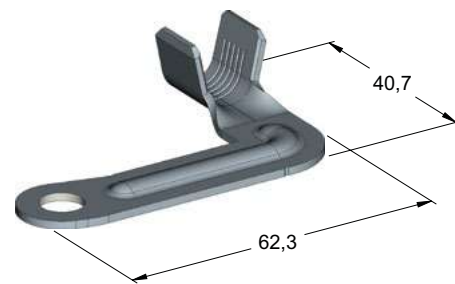
1



2



3

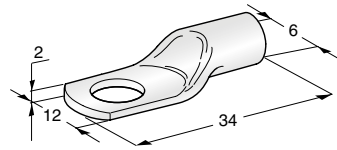


4

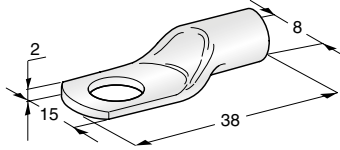
NEW

IMG	DESCRIPTION	SCREW	WIRE SECTION mm ²	MATERIAL	MATERIAL THICKNESS mm	P/N BOX	MOQ
1	G70	M8	25÷35	CuZn-Sn	1,8	1608540	300
2	G30 ANTIROTATION	M8	35	CuZn-Sn	2,0	1609960	500
3	W61 FLAG 50	M8	25	CuZn-Sn	1,8	1609600	500
4	EYLET M8	M8	25	CuZn-Sn	1,5	1556792	650

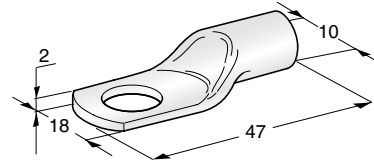
TUBULAR



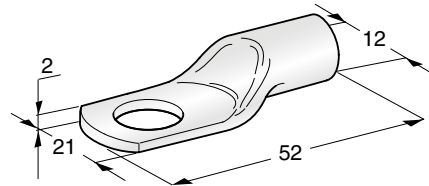
1



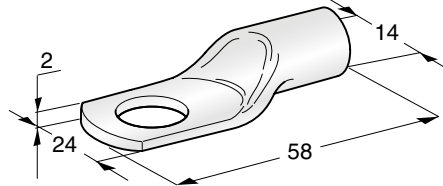
2



3



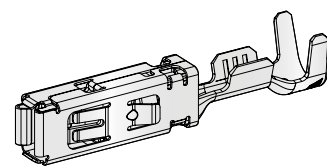
4



5

IMG	DESCRIPTION	SCREW	WIRE SECTION mm ²	MATERIAL	P/N BOX	MOQ
1	TUBOLAR L34	M6	16	Cu-Sn	1605000	50
	TUBOLAR L34	M8	16	Cu-Sn	1605100	50
2	TUBOLAR L38	M8	25	Cu-Sn	1605010	50
	TUBOLAR L38	M10	25	Cu-Sn	1605110	50
3	TUBOLAR L47	M8	35	Cu-Sn	1605021	50
	TUBOLAR L47	M10	35	Cu-Sn	1605020	50
4	TUBOLAR L52	M11	50	Cu-Sn	1605030	25
5	TUBOLAR L58	M13	75	Cu-Sn	1605040	25

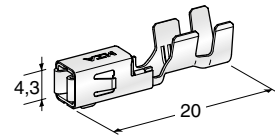
HP6 280



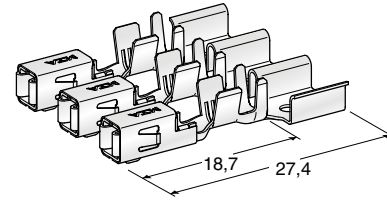
1

IMG	DESCRIPTION	WIRE SECTION mm ²	MATERIAL	MATERIAL THICKNESS mm	CONTACT AREA COATING	P/N BOX	MOQ	P/N REEL	MOQ
1	HP6 280	0,5÷1	Cu Alloy-Sn	0,3	Au	1108380	100	1708380	10500
	HP6 280	1,5÷2,5	Cu Alloy-Sn	0,3	Au	1108381	100	1708381	10500
	HP6 280	0,5÷1	Cu Alloy-Sn	0,3	Sn	1108382	100	1708382	10500
	HP6 280	1,5÷2,5	Cu Alloy-Sn	0,3	Sn	1108383	100	1708383	10500
	HP6 280	0,5÷1	Cu Alloy-Sn	0,3	Ag			1708391	10500
	HP6 280	1,5÷2,5	Cu Alloy-Sn	0,3	Ag			1708392	10500

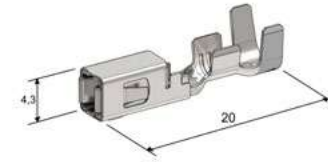
MINI 280



1



2



3



4



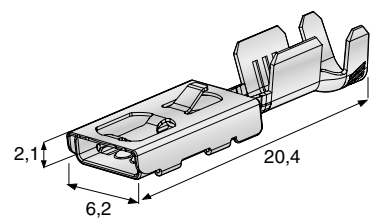
5



6

IMG.	DESCRIPTION	WIRE SECTION mm ²	WIRE DIAMETER Ømm	MATERIAL	MAT. THICK. mm	TAB / COLOUR	P/N BOX	MOQ	P/N BULK	MOQ	P/N REEL	MOQ
1	MINI F280	0,35÷0,75		CuFe-Sn	0,3		1108330	100			1708330	9000
	MINI F280	1÷2		CuFe-Sn	0,3		1108331	100			1708331	9000
	MINI F280	2,5÷4		CuFe-Sn	0,3		1108332	100			1708332	9000
2	MINI F280 BUS BAR	1÷2		CuFe-Sn	0,3						1708335	12000
	MINI F280 BUS BAR	2,5÷4		CuFe-Sn	0,3						1708336	12000
	MINI F280 WP	0,35÷0,75		CuFe-Sn	0,3		1108337	100			1708337	9000
3	MINI F280 WP	1÷2		CuFe-Sn	0,3		1108338	100			1708338	9000
	MINI F280 WP	2,5÷4		CuFe-Sn	0,3		1108339	100			1708339	9000
	MINI F280 DOUBLE			CuFe-Sn		Male 2,8			1708334	20000		
5	GASKET		2,2÷3	Silicon		Green	4551747	100	4550747	10000		
	GASKET		1,2÷2,1	Silicon		Red	4551748	100	4550748	10000		
	GASKET		3,1÷3,7	Silicon		Grey	4551749	100	4550749	10000		
6	PLUG			Silicon		Black			4550750	5000		

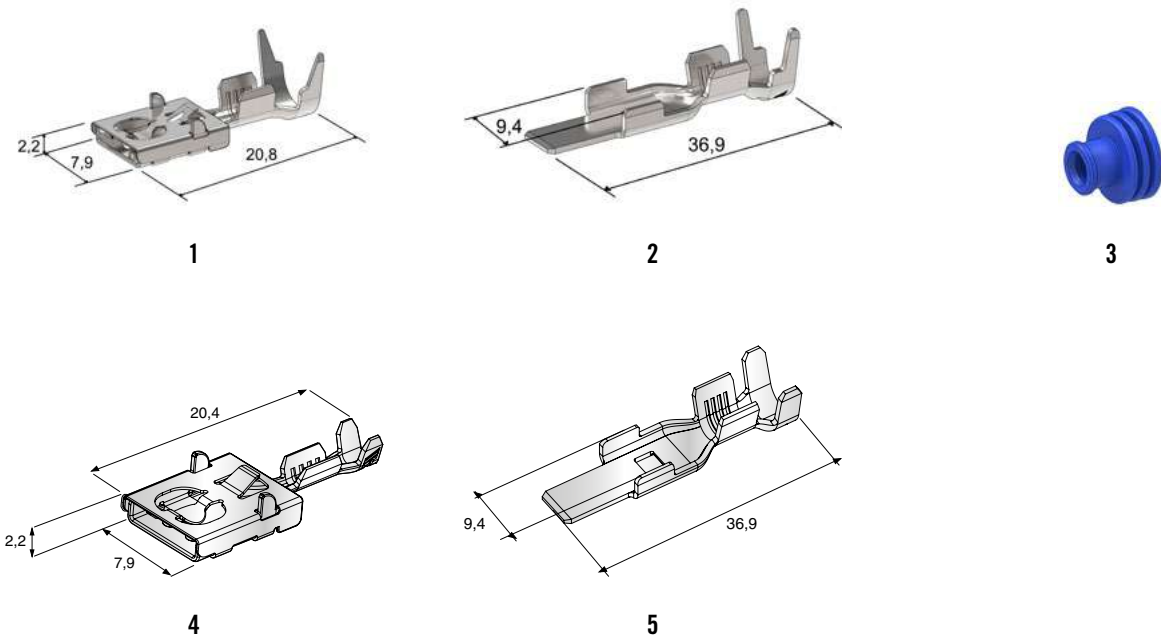
F 480E



1

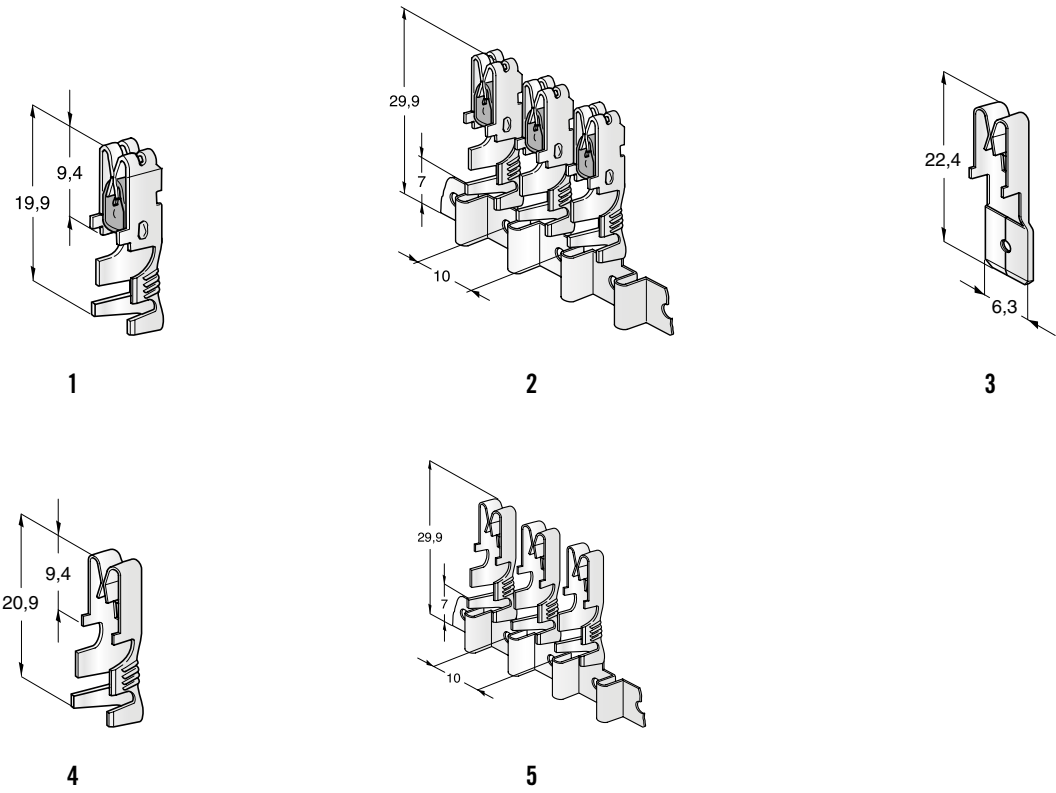
IMG	DESCRIPTION	WIRE SECTION mm ²	MATERIAL	MATERIAL THICKNESS mm	P/N BOX	MOQ	P/N REEL	MOQ
1	F480E	0,5÷1	CuZn-Sn	0,3	1108400	100	1708400	15000
	F480E	1,5÷2,5	Cu Alloy-Sn	0,3	1108401	100	1708401	12000
	F480E	0,35÷0,5	CuZn-Sn	0,3	1108402	100	1708402	16500

F630E & M630



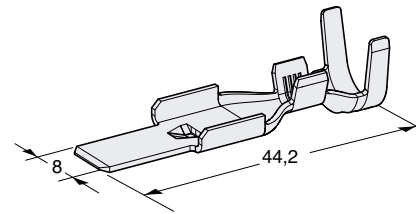
IMG.	DESCRIPTION	WIRE SECTION mm ²	WIRE DIAMETER Ømm	MATERIAL	MAT. THICK. mm	TAB	COLOUR	P/N BOX	MOQ	P/N REEL	MOQ
1	F630 E WP	2÷3		Cu Alloy-Sn	0,4	6,3 x 0,8				1708505	5400
	F630 E WP	4÷6		Cu Alloy-Sn	0,4	6,3 x 0,8				1708504	5400
2	M630 WP	2,5÷4		Cu-Sn	0,8					1707995	1700
	M630 WP	6		Cu-Sn	0,8					1707994	1700
3	GASKET		2,7÷3,7	Silicon			Blue	4551901	10000		
	GASKET		4÷4,3	Silicon			Green	4551902	10000		
4	F630 E	0,35÷0,5		CuZn-Sn	0,4	6,3 x 0,8		1108500	100	1708500	10500
	F630 E	0,75÷1,5		CuZn-Sn	0,4	6,3 x 0,8		1108501	100	1708501	9000
	F630 E	2÷3		Cu Alloy-Sn	0,4	6,3 x 0,8		1108502	100	1708502	7500
	F630 E	4÷6		Cu Alloy-Sn	0,4	6,3 x 0,8		1108503	100	1708503	6300
	F630 E	0,75÷1,5		CuZn-Sn	0,4	5,2 x 0,6		1108511	100	1708511	9000
	F630 E	2÷2,5		Cu Alloy-Sn	0,4	5,2 x 0,6		1108512	100	1708512	7500
	F630 E	4÷6		Cu Alloy-Sn	0,4	5,2 x 0,6		1108513	100	1708513	6300
5	M630	1,5÷2		Cu-Sn	0,8			1107990	20	1707990	3000
	M630	2,5÷4		Cu-Sn	0,8			1107991	20	1707991	2000
	M630	6÷8		Cu-Sn	0,8			1107992	20	1707992	1900
	M630	10		Cu-Sn	0,8			1107993	20	1707993	1700

UNI 630

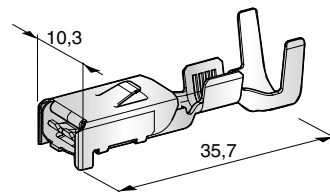


IMG	DESCRIPTION	WIRE SECTION mm ²	MATERIAL	MATERIAL THICKNESS mm	P/N BOX	MOQ	P/N BULK	MOQ	P/N REEL	MOQ
1	UNI F630 WITH CLIP	0,5÷1,5	CuSn-Sn	0,4	1107920	100			1707920	6000
	UNI F630 WITH CLIP	2÷3	CuSn-Sn	0,4	1107930	100			1707930	6000
	UNI F630 WITH CLIP	4÷6	CuFe-Sn	0,4	1107940	50			1707940	5400
2	UNI F630 BUS BAR WITH CLIP	2÷3	CuSn-Sn	0,4					1707932	9000
	UNI F630 BUS BAR WITH CLIP	4÷6	CuFe-Sn	0,4					1707942	9000
3	UNI F630		CuSn-Sn	0,4	1107501	100	1907501	8000		
4	UNI F630	0,5÷1,5	CuSn-Sn	0,4	1107900	100			1707900	6000
	UNI F630	2÷3	CuSn-Sn	0,4					1707902	6000
	UNI F630	4÷6	CuSn-Sn	0,4	1107901	100			1707901	5400
5	UNI F630 BUS BAR	2÷3	CuSn-Sn	0,4					1707912	9000
	UNI F630 BUS BAR	4÷6	CuSn-Sn	0,4					1707911	9000

MAXI 800 WP



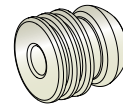
1



2



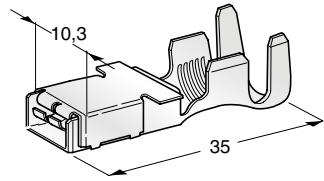
3



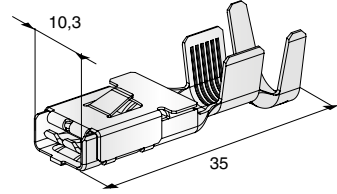
4

IMG	DESCRIPTION	WIRE SECTION mm ²	WIRE DIAMETER Ømm	MATERIAL	MATERIAL THICKNESS mm	COLOUR	P/N BOX	MOQ	P/N REEL	MOQ
1	WP M800	2,5÷4		Cu-Sn	0,8		1107760	20	1707760	1300
	WP M800	6÷8		Cu-Sn	0,8		1107770	20	1707770	1000
	WP M800	10÷16		Cu-Sn	0,8				1707780	1300
2	WP F800	1,5÷2,5		CuZn-Sn	0,5		1107400	20	1707400	1300
	WP F800	3÷6		CuZn-Sn	0,5		1107410	20	1707410	1300
	WP F800	7÷10		CuNi-Sn	0,5		1107420	20	1707420	1300
3	GASKET		1,9 - 3,3	SILICON		■ Green	4550780	5000		
	GASKET		3,4 - 4,9	SILICON		■ Blue	4550781	5000		
	GASKET		5 - 6,5	SILICON		■ Red	4550782	5000		
4	CAVITY PLUG			SILICON		□ Natural	4550784	5000		

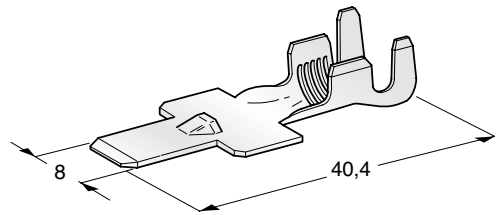
MAXI 800



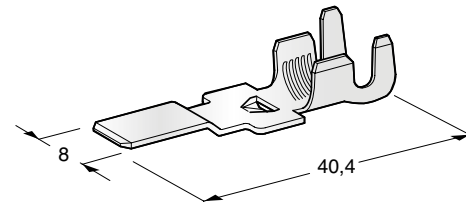
1



2



3



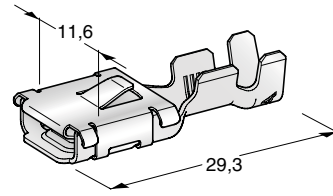
4

NEW

NEW

IMG	DESCRIPTION	WIRE SECTION mm ²	MATERIAL	MATERIAL THICKNESS mm	P/N BOX	MOQ	P/N REEL	MOQ
1	F800	1,5÷2,5	CuZn-Sn	0,5	1107650	20	1707650	1600
	F800	4÷6	CuZn-Sn	0,5	1107660	20	1707660	1600
	F800	8÷10	CuZn-Sn	0,5	1107670	20	1707670	1300
	F800	8÷10	CuNi-Sn	0,5			1707672	1300
	F800	16	CuNi-Sn	0,5	1107671	20	1707671	1300
2	F800 WITH CLIP	1,5÷2,5	CuZn-Sn	0,5	1107620	20	1707620	2000
	F800 WITH CLIP	1,5÷2,5	CuNi-Sn	0,5			1700043	2000
	F800 WITH CLIP	4÷6	CuZn-Sn	0,5	1107621	20	1707621	2000
	F800 WITH CLIP	4÷6	CuNi-Sn	0,5			1700044	2000
	F800 WITH CLIP	8÷10	CuNi-Sn	0,5	1107622	20	1707622	1300
3	M800	2,5÷4	Cu-Sn	0,8	1107675	20	1707675	2000
	M800	6÷8	Cu-Sn	0,8	1107685	20	1707685	1600
	M800	10÷16	Cu-Sn	0,8	1107690	20	1707690	1300
4	WP M800	2,5÷4	Cu-Sn	0,8	1107700	20	1707700	2000
	WP M800	6÷8	Cu-Sn	0,8	1107710	20	1707710	1600
	WP M800	10÷16	Cu-Sn	0,8	1107720	20	1707720	1400

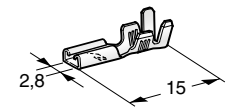
POWER 950



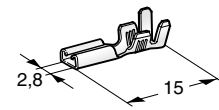
1

IMG	DESCRIPTION	WIRE SECTION mm ²	MATERIAL	MATERIAL THICKNESS mm	P/N BOX	MOQ	P/N REEL	MOQ
1	F950	2,5÷4	Cu-Sn	0,6	1107740	20	1707740	2000
	F950	6÷8	Cu-Sn	0,6	1107741	20	1707741	1600
	F950	10÷16	Cu-Sn	0,6			1707742	1300

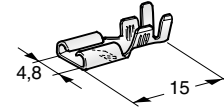
FASTON



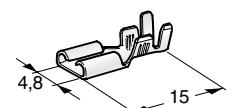
1



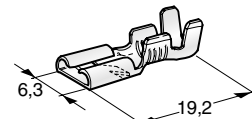
2



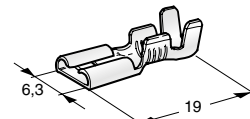
3



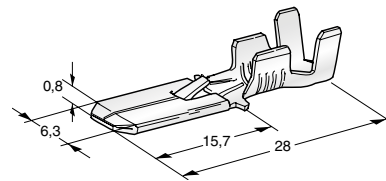
4



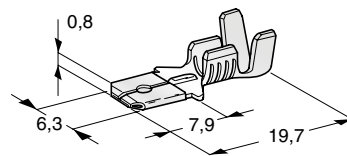
5



6



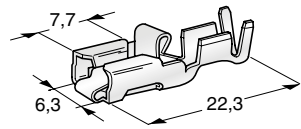
7



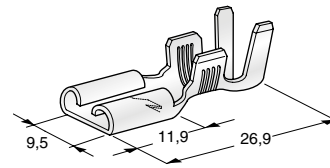
8

IMG	DESCRIPTION	WIRE SECTION mm ²	MATERIAL THICKNESS mm	MATERIAL	P/N BOX	INNER BOX PCS	MOQ	P/N REEL	MOQ
1	F280 WITH LOCKING NOTCH	0,5÷1	0,25	CuZn-Sn	1101700		200		
2	F280	0,3÷1	0,30	CuZn	1301390	200	4800		
3	F480 WITH LOCKING NOTCH	0,5÷1	0,32	CuZn-Sn	1101710		100		
4	FASTON F480	0,5÷1	0,33	CuZn	1301391		100		
5	F630 WITH LOCKING NOTCH	1÷2,5	0,35	CuZn	1301650	100	2400		
	F630 WITH LOCKING NOTCH	1÷2,5	0,35	CuZn-Sn	1101650	100	2400	1701650	1500
6	F630	0,5÷1,5	0,40	CuZn	1301402		100		
	F630	1÷2,5	0,40	CuZn-Sn				1701655	1500
	F630	1÷2,5	0,40	CuZn	1301400	200	4800		
	F630	1÷2,5	0,40	CuZn-Sn	1101400		200		
7	M630 WITH LOCKING NOTCH	0,75÷2	0,4	CuZn-Sn	1101660		100		
	M630 WITH LOCKING NOTCH	0,75÷2	0,4	CuZn	1301660	100	2400		
	M630 WITH LOCKING NOTCH	0,75÷2	0,4	CuZn	1901660		5000		
	M630 WITH LOCKING NOTCH	4÷6	0,4	CuZn-Sn	1101662		100		
8	M630	0,5÷1	0,4	CuZn	1301411		100		
	M630	1÷2,5	0,4	CuZn-Sn	1101412		100		
	M630	1÷2,5	0,4	CuZn-Sn	1951194		5000		
	M630	1÷2,5	0,4	CuZn	1301412		100		

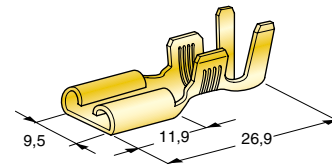
FASTON



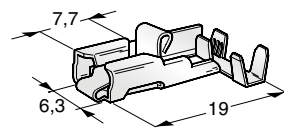
1



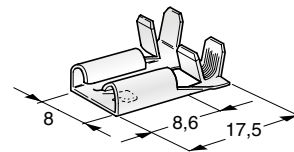
2



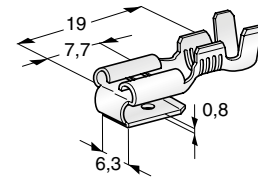
3



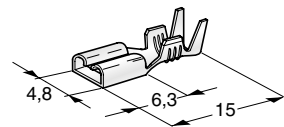
4



5



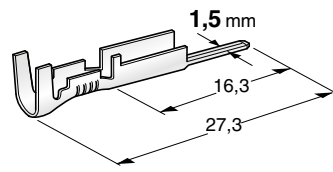
6



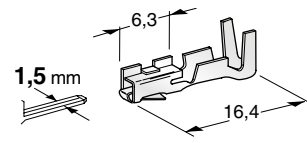
7

IMG	DESCRIPTION	WIRE SECTION mm ²	MATERIAL THICKNESS mm	MATERIAL	P/N BOX	MOQ	P/N REEL	MOQ
1	ANTISF F630	0,5÷1,5	0,4	CuZn-Sn	1107000	50		
	ANTISF F630	2,5÷4	0,4	CuZn-Sn	1107010	50		
2	F950 WITH LOCKING NOTCH	6÷10	0,4	CuZn-Sn	1101720	100		
3	F950	3÷6	0,4	CuZn	1301420	100		
4	ANTISF F630 FLAG	0,51 ÷ 1,03	0,4	CuZn-Sn	1107020	50		
5	F800 FLAG WITH LOCKING NOTCH	1÷2,5	0,4	CuZn-Sn	1101680	50		
6	630 2-WAY	0,8÷2,5	0,4	CuZn-Sn	1301501	100		
7	PITCH 5 F480	0,5÷1,5	0,35	CuZn-Sn			1701940	12000

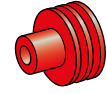
FOR SEAL CONNECTORS



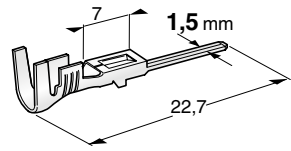
1



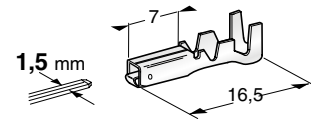
2



3



4



5



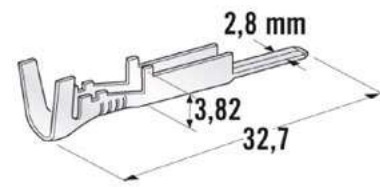
6



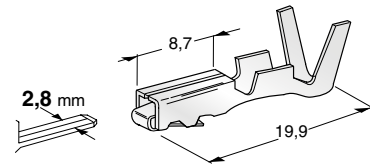
7

IMG	DESCRIPTION	WIRE SECTION mm ²	MATERIAL THICKNESS mm	MATERIAL	COLOUR	P/N BOX	MOQ
1	METRIPACK M150	0,5÷1	0,4	CuZn-Sn		1105510	100
2	METRIPACK F150	0,5÷1	0,4	CuZn-Sn		1105500	100
3	RUBBER	0,5÷1	-	Silicon	Red	4407530	100
4	S-SEAL M150	1÷1,5	0,32	CuZn-Sn		1105550	100
5	S-SEAL F150	1÷1,5	0,3	CuZn-Sn		1105560	100
6	RUBBER	0,5÷1	-	Silicon	Yellow	4407740	100
7	CAVITY PLUG		-	Silicon	Red	4407750	100

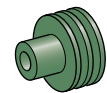
FOR SEAL CONNECTORS



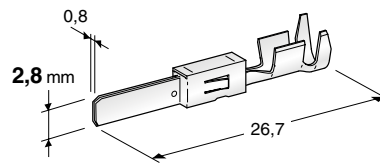
1



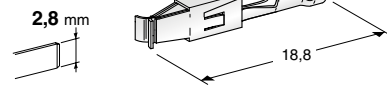
2



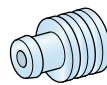
3



4



5



6



7

IMG	DESCRIPTION	WIRE SECTION mm ²	MATERIAL THICKNESS mm	MATERIAL	COLOUR	P/N BOX	MOQ
1	METRIPACK M280	1÷2,5	0,4	CuSn-Sn		1104500	50
2	METRIPACK F280	1÷2,5	0,4	CuSn-Sn		1104510	100
3	RUBBER	1÷2,5		Silicon	■ Green	4407510	100
4	JPT-WP M280	0,5÷1,5	0,32	CuSn-Sn		1108290	100
	JPT-WP M280	1,5÷2,5	0,32	CuSn-Sn		1108300	100
5	JPT-WP F280	0,5÷1	0,32	CuSn-Sn		1108260	100
	JPT-WP F280	1÷2,5	0,32	CuSn-Sn		1108270	100
6	RUBBER	0,5÷1		Silicon	■ Azure	4510662	100
7	RUBBER	1,5÷2,5		Silicon	□ White	4510658	100

GASKETS & PLUGS



1



2



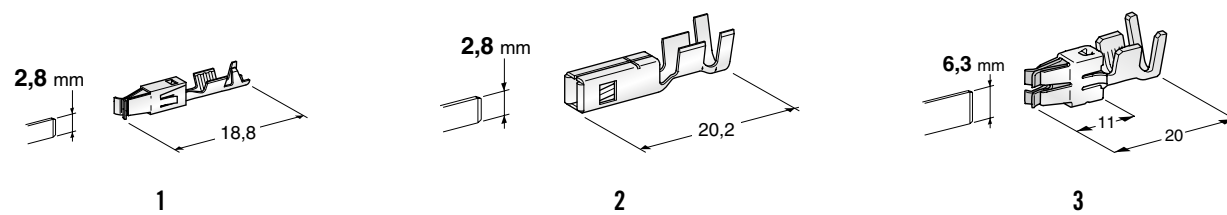
3



4

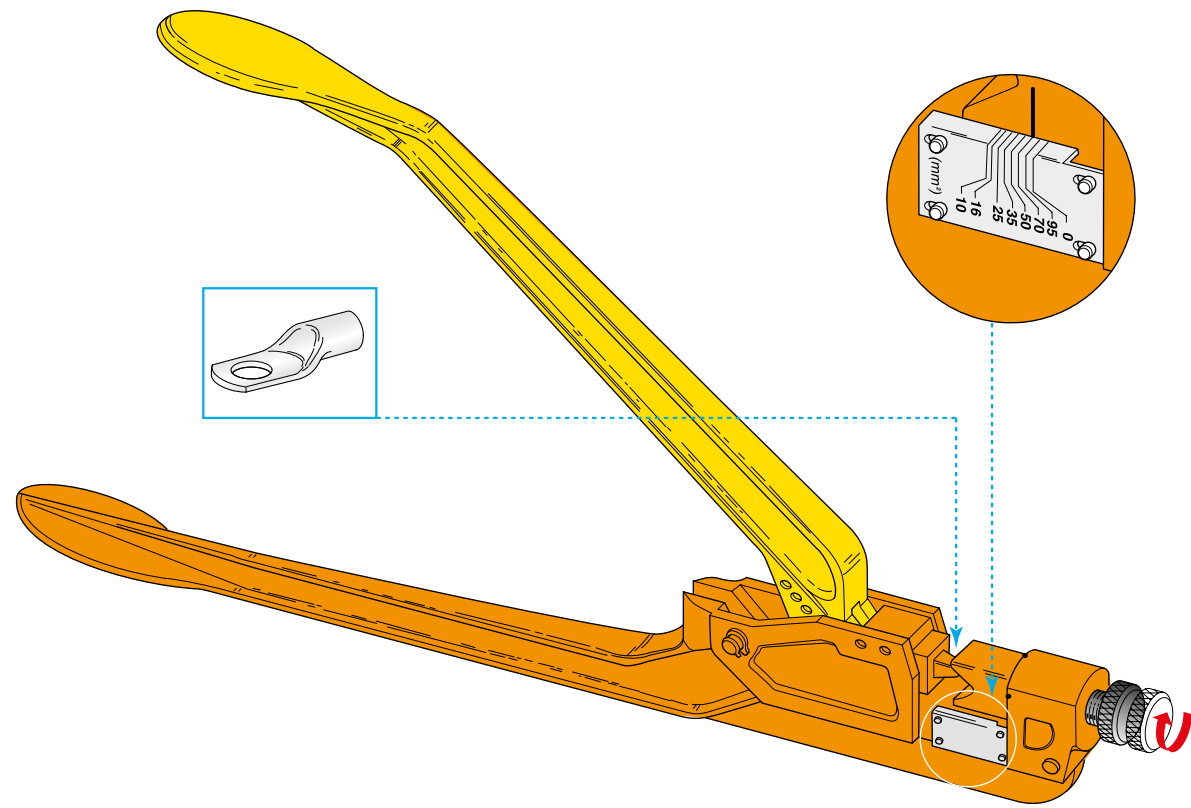
IMG	DESCRIPTION	WIRE SECTION mm ²	MATERIAL	COLOUR	P/N BOX	MOQ
1	GASKET FOR MPT WATERPROOF TERMINALS	2,5÷4	Silicon	Yellow	4551903	4000
2	SEALING PLUG FOR MPT TERMINALS	-	Silicon	White	4423721	5000
3	RUBBER	0,5 - 1,5	Silicon	Orange	4507770	1000
4	RUBBER	2 - 3	Silicon	Yellow	4507771	1000

FOR SPECIAL CONNECTORS



IMG	DESCRIPTION	WIRE SECTION mm ²	MATERIAL THICKNESS mm	MATERIAL	P/N BOX	MOQ
1	JPT F280	0,2÷0,5	0,32	CuSn-Sn	1105615	100
	JPT F280	0,5÷1	0,32	CuSn-Sn	1105620	100
	JPT F280	1,5÷2,5	0,32	CuSn-Sn	1105630	100
2	SICMA2 F280	0,35÷0,75	0,35	CuZn-Sn	1105660	100
	SICMA2 F280	1÷2,5	0,35	CuZn-Sn	1105670	100
3	SPT F630	2,5÷4	0,40	CuZn-Sn	1102050	100

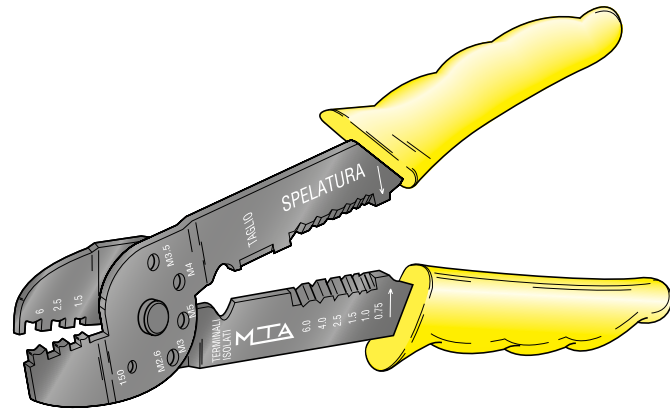
CRIMPING TOOLS



1

IMG	DESCRIPTION	WIRE SECTION mm ²	LENGTH mm	WEIGHT g	P/N BOX	MOQ
1	TOOL FOR TUBULAR TERMINALS	10÷95	565÷585	2916	9602490	1

CRIMPING TOOLS



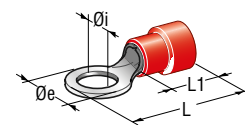
1

IMG	DESCRIPTION	WIRE SECTION mm ²	P/N BOX	MOQ
1	CRIMPING TOOL	1,5÷6	9602450	1

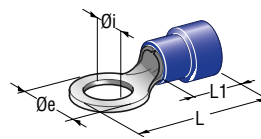
INSULATED TERMINALS



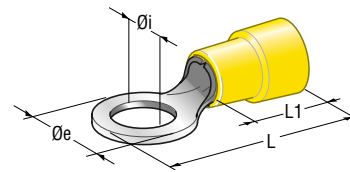
RING



1



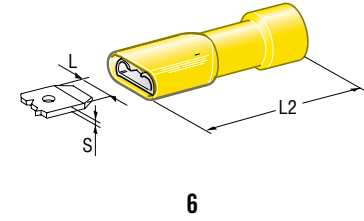
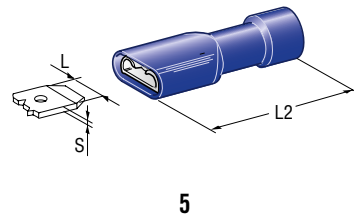
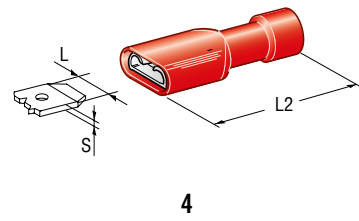
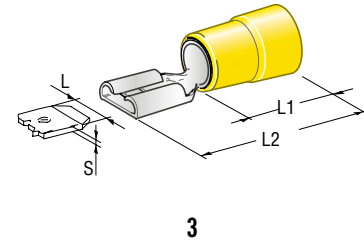
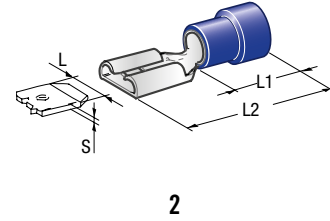
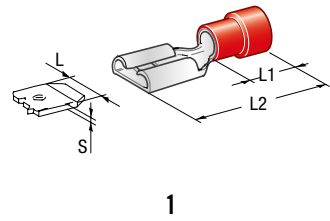
2



3

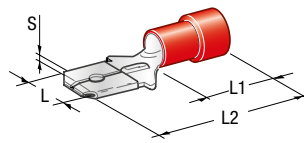
IMG	DESCRIPTION	WIRE SECTION mm ²	Ø i mm	Ø e mm	L mm	L1 mm	MATERIAL	MATERIAL THICKNESS mm	P/N BOX	MOQ
1	RING	0,25-1÷1	3,2	5,5	18,0	10,5	Cu-Sn PA66	0,75	1853050	100
	RING	0,25-1÷1	3,7	5,5	18,0	10,5	Cu-Sn PA66	0,75	1853060	100
	RING	0,25-1÷1	4,3	6,6	20,1	10,5	Cu-Sn PA66	0,75	1853070	100
	RING	0,25-1÷1	5,3	8,0	21,5	10,5	Cu-Sn PA66	0,75	1853150	100
	RING	0,25-1÷1	6,4	11,6	27,4	10,5	Cu-Sn PA66	0,75	1853200	100
	RING	0,25-1÷1	8,4	11,6	27,4	10,5	Cu-Sn PA66	0,75	1853250	100
2	RING	1÷2,5	4,3	8,5	23,0	11,0	Cu-Sn PA66	0,80	1857100	100
	RING	1÷2,5	5,3	8,5	23,0	11,0	Cu-Sn PA66	0,80	1857150	100
	RING	1÷2,5	6,4	12,0	28,0	11,0	Cu-Sn PA66	0,80	1857200	100
	RING	1÷2,5	8,4	12,0	28,0	11,0	Cu-Sn PA66	0,80	1857250	100
3	RING	2,5÷6	4,3	7,2	23,5	14,0	Cu-Sn PA66	1	1863100	50
	RING	2,5÷6	5,3	9,5	27,0	14,0	Cu-Sn PA66	1	1863150	50
	RING	2,5÷6	6,4	12,0	30,5	14,0	Cu-Sn PA66	1	1863200	50
	RING	2,5÷6	8,4	15,0	35,2	14,0	Cu-Sn PA66	1	1863250	50
	RING	2,5÷6	10,4	15,0	35,2	14,0	Cu-Sn PA66	1	1863300	50

PUSH ON

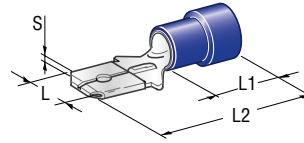


IMG	DESCRIPTION	WIRE SECTION mm ²	S mm	L mm	L1 mm	L2 mm	MATERIAL	MATERIAL THICKNESS mm	P/N BOX	MOQ
1	PUSH ON	0,25÷1	0,8	2,8	10,0	18,5	CuZn-Sn PVC	0,30	1850400	100
	PUSH ON	0,25÷1	0,8	4,7	10,0	19	CuZn-Sn PVC	0,40	1850300	100
	PUSH ON	0,25÷1	0,8	6,3	12,0	21	CuZn-Sn PVC	0,40	1851000	100
2	PUSH ON	1÷2,5	0,8	2,8	10,0	19	CuZn-Sn PVC	0,30	1854400	100
	PUSH ON	1÷2,5	0,8	6,3	12,0	21,0	CuZn-Sn PVC	0,40	1855000	100
3	PUSH ON	2,5÷6	0,8	6,3	13,0	22,4	CuZn-Sn PVC	0,40	1861000	50
4	PUSH ON	0,25÷1	0,8	6,3	-	23,5	CuZn-Sn PVC	0,40	1851500	100
5	PUSH ON	1÷2,5	0,8	6,3	-	23,5	CuZn-Sn PVC	0,40	1855500	100
6	PUSH ON	2,5÷6	0,8	6,3	-	24,0	CuZn-Sn PVC	0,40	1860500	50

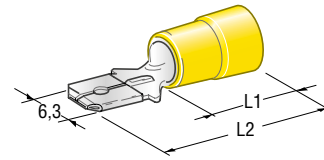
PUSH ON



1



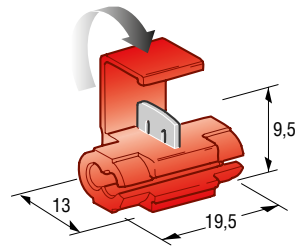
2



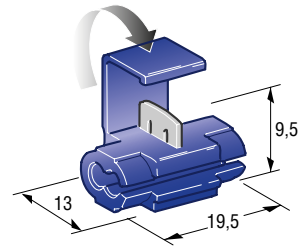
3

IMG	DESCRIPTION	WIRE SECTION mm ²	S mm	L mm	L1 mm mm	L2 mm mm	MATERIAL	MATERIAL THICKNESS mm	P/N BOX	MOQ
1	PUSH ON	0,25÷1	-	2,8	10	17,0	CuZn-Sn PVC	0,80	1850450	100
	PUSH ON	0,25÷1	-	6,3	12	21,0	CuZn-Sn PVC	0,80	1852000	100
2	PUSH ON	1÷2,5	-	4,7	10	19,5	CuZn-Sn PVC	0,50	1854550	100
	PUSH ON	1÷2,5	-	6,3	12	21,0	CuZn-Sn PVC	0,80	1856000	100
3	PUSH ON	2,5÷6	-	6,3	13	22,5	CuZn-Sn PVC	0,80	1862000	100

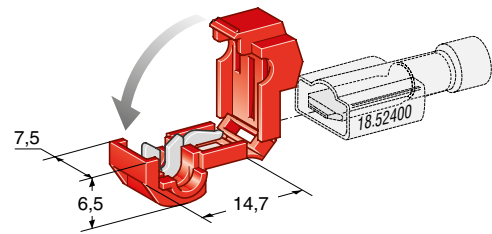
SELF STRIPPING



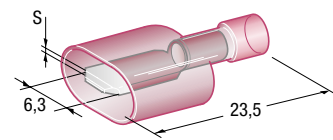
1



2



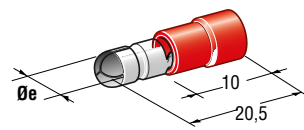
3



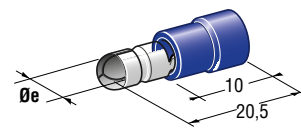
4

IMG	DESCRIPTION	WIRE SECTION mm ²	MATERIAL	MATERIAL THICKNESS mm	P/N BOX	MOQ	P/N BULK	MOQ
1	SELF-STRIPPING	0,25÷1	CuZn-Sn PP	-	4410090	100	4510090	10000
2	SELF-STRIPPING	1÷2,5	CuZn-Sn PP	-	4410091	100	4510091	10000
3	T-CONNECTIONS	0,25÷1	CuZn-Sn PA66 V094	-	4410096	50	4510096	1000
4	M630	0,25÷1	CuZn-Sn PVC	0,80	1852400	50		

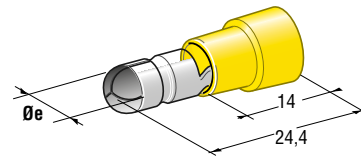
BULLET



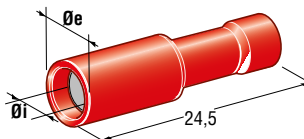
1



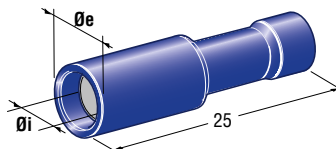
2



3



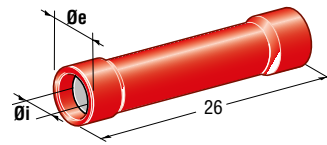
4



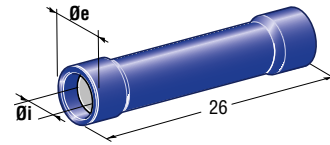
5

IMG	DESCRIPTION	WIRE SECTION mm ²	$\varnothing i$ mm	$\varnothing e$ mm	MATERIAL	MATERIAL THICKNESS mm	P/N BOX	MOQ
1	MALE BULLET	0,25÷1	-	4,0	CuZn-Sn PVC	0,40	1864000	100
2	MALE BULLET	1÷2,5	-	4,0	CuZn-Sn PVC	0,40	1864300	100
3	MALE BULLET	2,5÷6	-	5,0	CuZn-Sn PVC	0,40	1864700	100
4	FEMALE BULLET	0,25÷1	3,86	6,3	CuZn-Sn PVC	0,40	1864100	100
5	FEMALE BULLET	1÷2,5	3,86	6,3	CuZn-Sn PVC	0,40	1864400	100
	FEMALE BULLET	1÷2,5	4,85	7,0	CuZn-Sn PVC	0,40	1864600	50

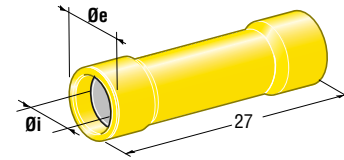
BUTT



1



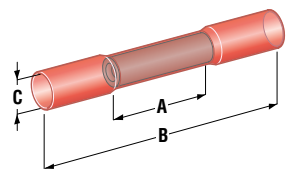
2



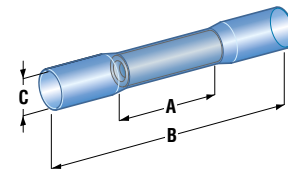
3

IMG	DESCRIPTION	WIRE SECTION mm ²	ϕ i mm	ϕ e mm	MATERIAL	MATERIAL THICKNESS mm	P/N BOX	MOQ
1	BUTT	0,25÷1	1,70	4,0	CuZn-Sn PVC	0,40	1868000	100
2	BUTT	1÷2,5	2,30	4,6	CuZn-Sn PVC	0,40	1868100	100
3	BUTT	2,5÷6	3,40	6,4	CuZn-Sn PVC	0,40	1868200	50

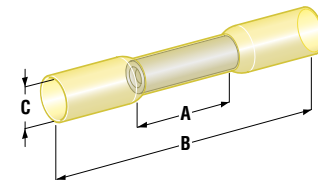
HEAT SHRINK



1



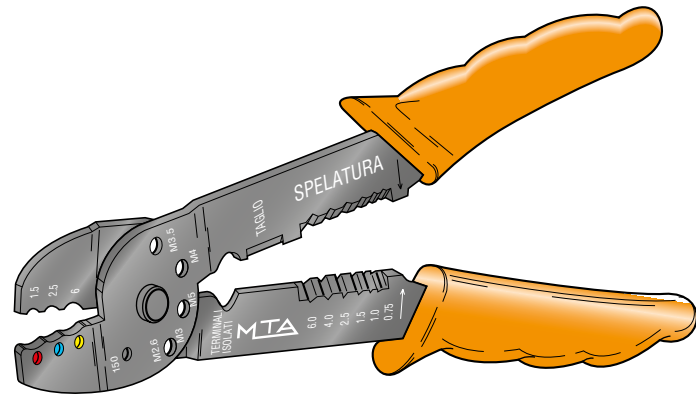
2



3

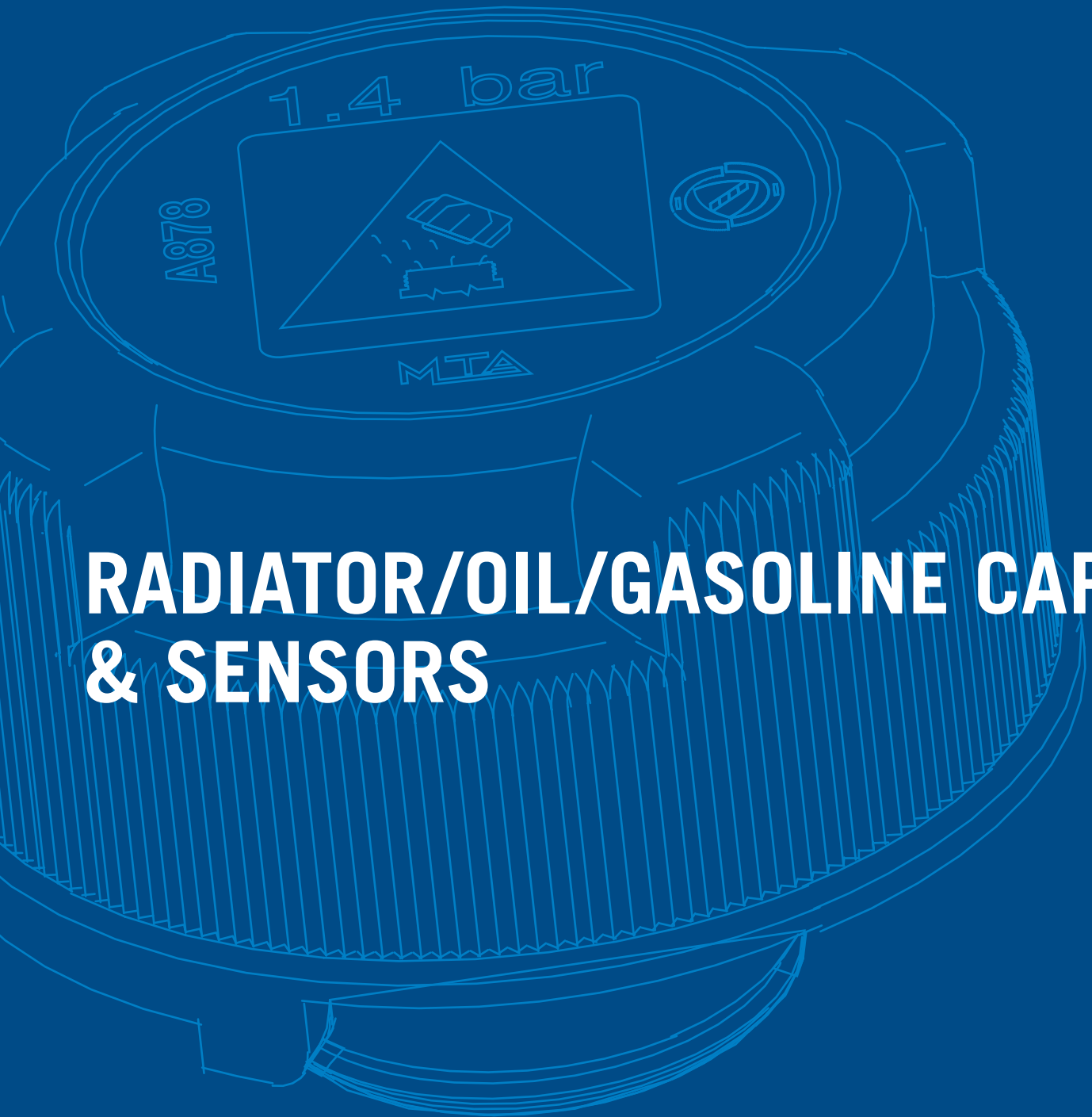
IMG	DESCRIPTION	WIRE SECTION mm ²	A mm	B mm	C mm	D mm	MATERIAL	MATERIAL THICKNESS mm	P/N BOX	MOQ
1	BUTT	0,75÷1,25	15,00	37,0	4,2	-	Cu-Sn PE	0,8	1880230	100
2	BUTT	1,25÷2,50	15,00	37,0	4,9	-	Cu-Sn PE	0,8	1880240	100
3	BUTT	2,5÷6	15,00	41,0	6,4	-	Cu-Sn PE	0,8	1880250	50

CRIMPING TOOLS



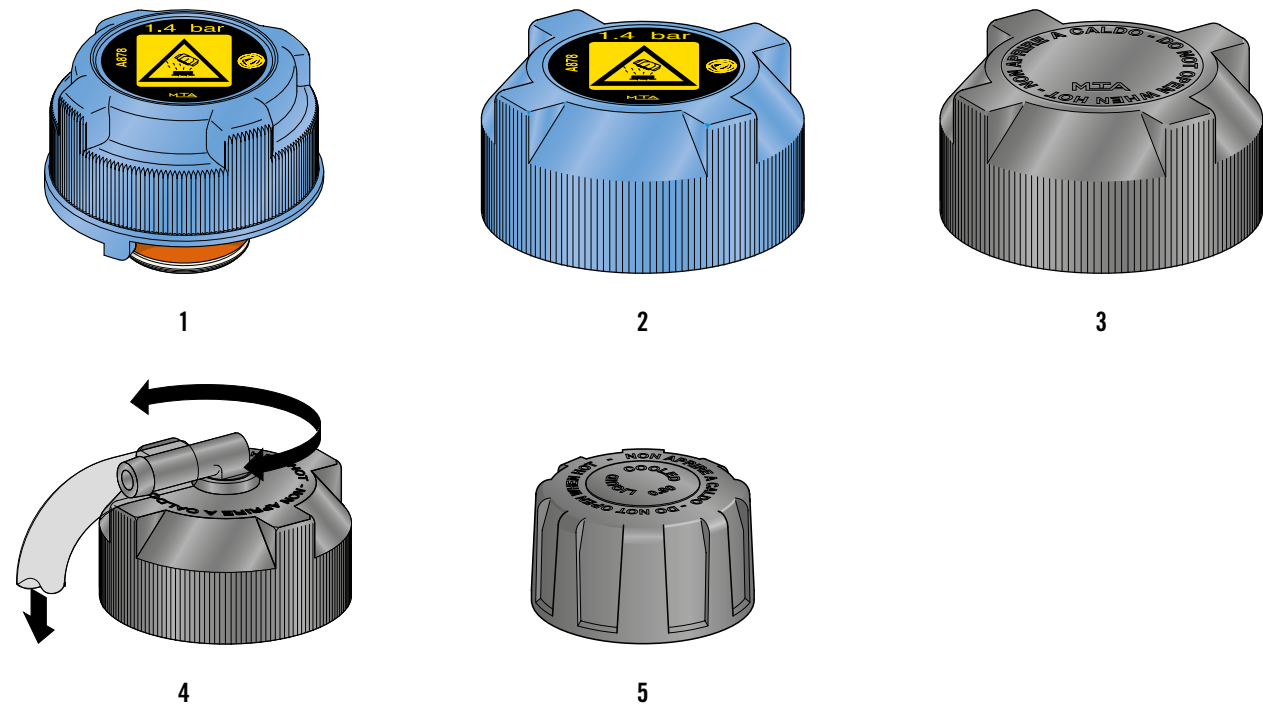
1

IMG	DESCRIPTION	WIRE SECTION mm ²	P/N BOX	MOQ
1	CRIMPING TOOL	0,25÷6	9602460	1

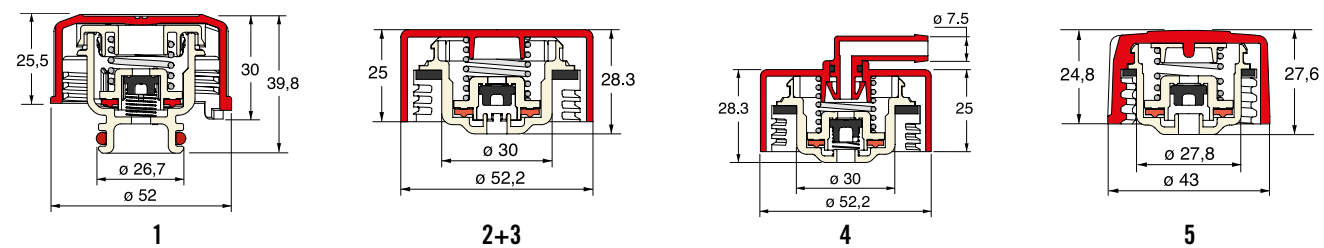


RADIATOR/OIL/GASOLINE CAPS & SENSORS

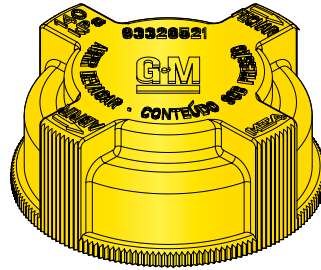
RADIATOR CAPS



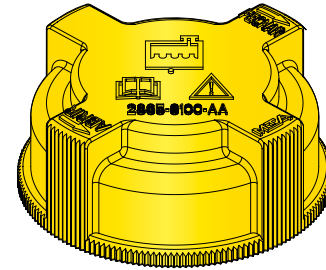
IMG	DESCRIPTION	PRESSION BAR	DEPRESSION BAR	MATERIAL	COLOUR	P/N BOX	MOQ	P/N BULK	MOQ
1	RADIATOR CAP	1	0,04 - 0,10	PP GF30	Blue			5056005	500
	RADIATOR CAP	1,4	0,04 - 0,10	PP GF30	Blue	5014877	1	5056000	500
2	RADIATOR CAP	1	0,04 - 0,10	PP GF30	Black	5014862	1	5050123	200
	RADIATOR CAP	1,4	0,04 - 0,10	PP GF30	Blue	5014873	1	5050103	200
3	RADIATOR CAP	1	0,04 - 0,10	PP GF30	Black	5014861	1	5114861	200
	RADIATOR CAP	1,2	0,04 - 0,10	PP GF30	Black			5050124	200
4	RADIATOR CAP	0,5	0,04 - 0,10	PP GF30	Black	5014900	1	5050090	200
	RADIATOR CAP	1	0,04 - 0,10	PP GF30	Black	5014901	1	5114901	200
	RADIATOR CAP	1,4	0,04 - 0,10	PP GF30	Blue			5050108	200
5	RADIATOR CAP	0,9	0,04 - 0,10	PP GF30	Black			5050097	270
	RADIATOR CAP	1,1	0,04 - 0,10	PP GF30	Black			5050121	270



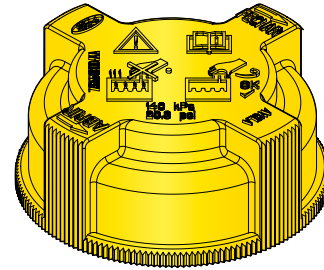
RADIATOR CAPS



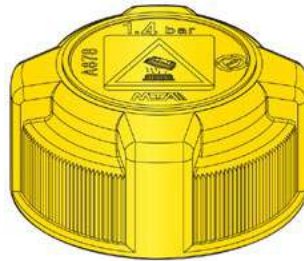
1



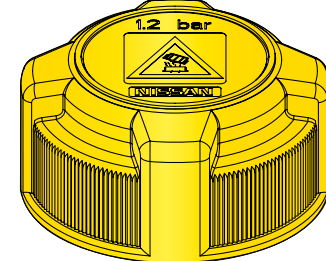
2



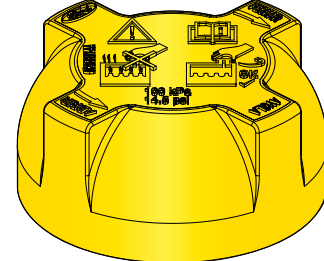
3



4



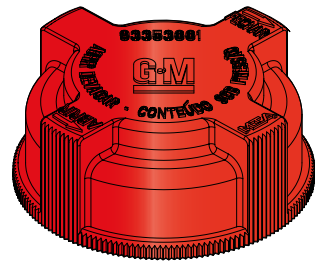
5



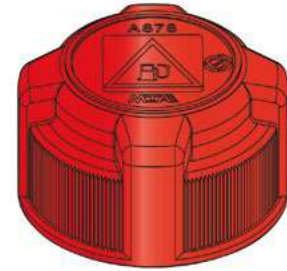
6

IMG	DESCRIPTION	PRESSION BAR	DEPRESSION BAR	MATERIAL	COLOUR	P/N BULK	MOQ
1	RADIATOR CAP GM	1,4	0,15 Max	PP GF30	Yellow	5050140	500
2	RADIATOR CAP FORD	1,4	0,04 - 0,10	PP GF30	Yellow	5050143	500
	RADIATOR CAP FORD	1,4	0,04 - 0,10	PP GF30	Black	5050156	200
3	RADIATOR CAP FORD	1,4	0,04 - 0,10	PP GF30	Yellow	5050147	500
	RADIATOR CAP FORD	1,4	0,04 - 0,10	PP GF30	Black	5050155	200
4	RADIATOR CAP FIAT	1,0	0,04 - 0,10	PP GF30	Yellow	5050126	500
	RADIATOR CAP FIAT	1,4	0,04 - 0,10	PP GF30	Yellow	5050127	500
5	RADIATOR CAP NISSAN	1,2	0,04 - 0,10	PP GF30	Yellow	5050227	500
6	RADIATOR CAP FORD TRUCK	1,0	0,15 Max	PP GF30	Yellow	5050136	500

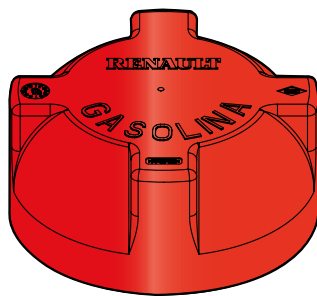
GASOLINE CAPS



1



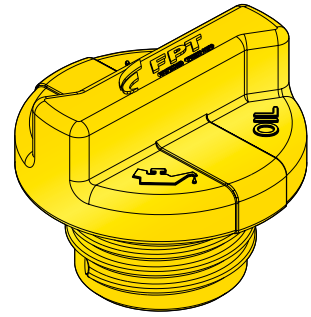
2



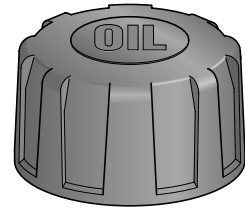
3

IMG	DESCRIPTION	PRESSION BAR	DEPRESSION BAR	MATERIAL	COLOUR	P/N BULK	MOQ
1	GASOLINE CAP GM	0,35	0,08 Max	PP GF30	Red	5050128	500
2	GASOLINE CAP FIAT	0,6	0,04 - 0,10	PP GF30	Red	5051108	500
3	GASOLINE CAP RENAULT	0,6	0,04 - 0,10	PP GF30	Red	5151137	500

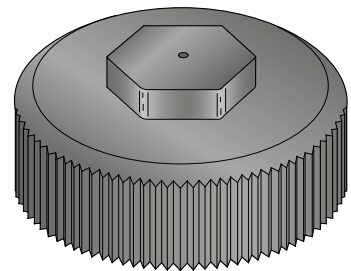
OIL CAPS



1



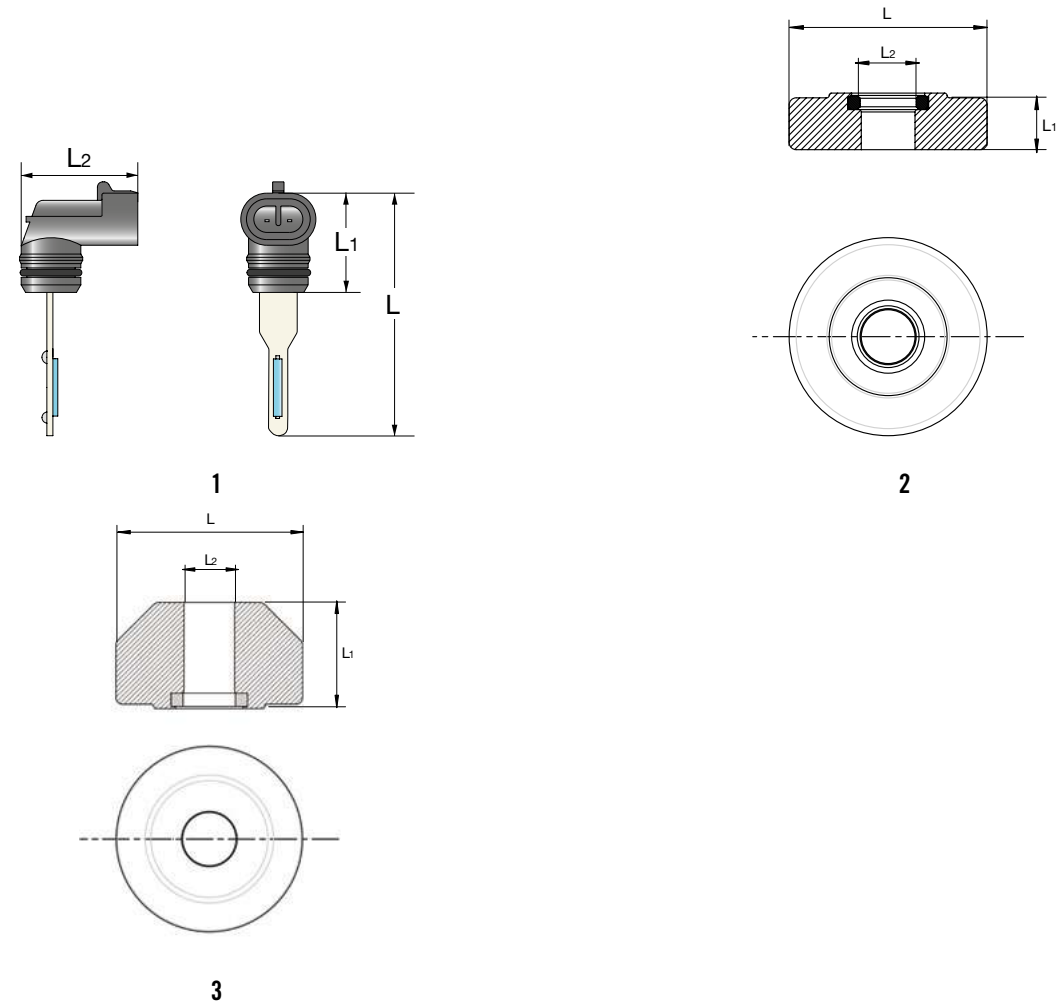
2



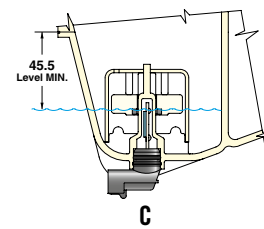
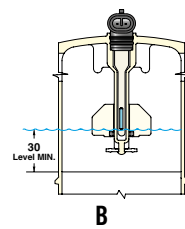
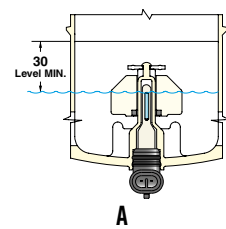
3

IMG	DESCRIPTION	MATERIAL	COLOUR	P/N BULK	MOQ
1	OIL CAP FIAT/FORD	PP GF30	Yellow	5050133	500
2	VENTED OIL CAP PIAGGIO	PP GF30	Black	5050106	270
3	DIESEL OIL TANK FOR TRUCKS	PP	Black	5515870	5

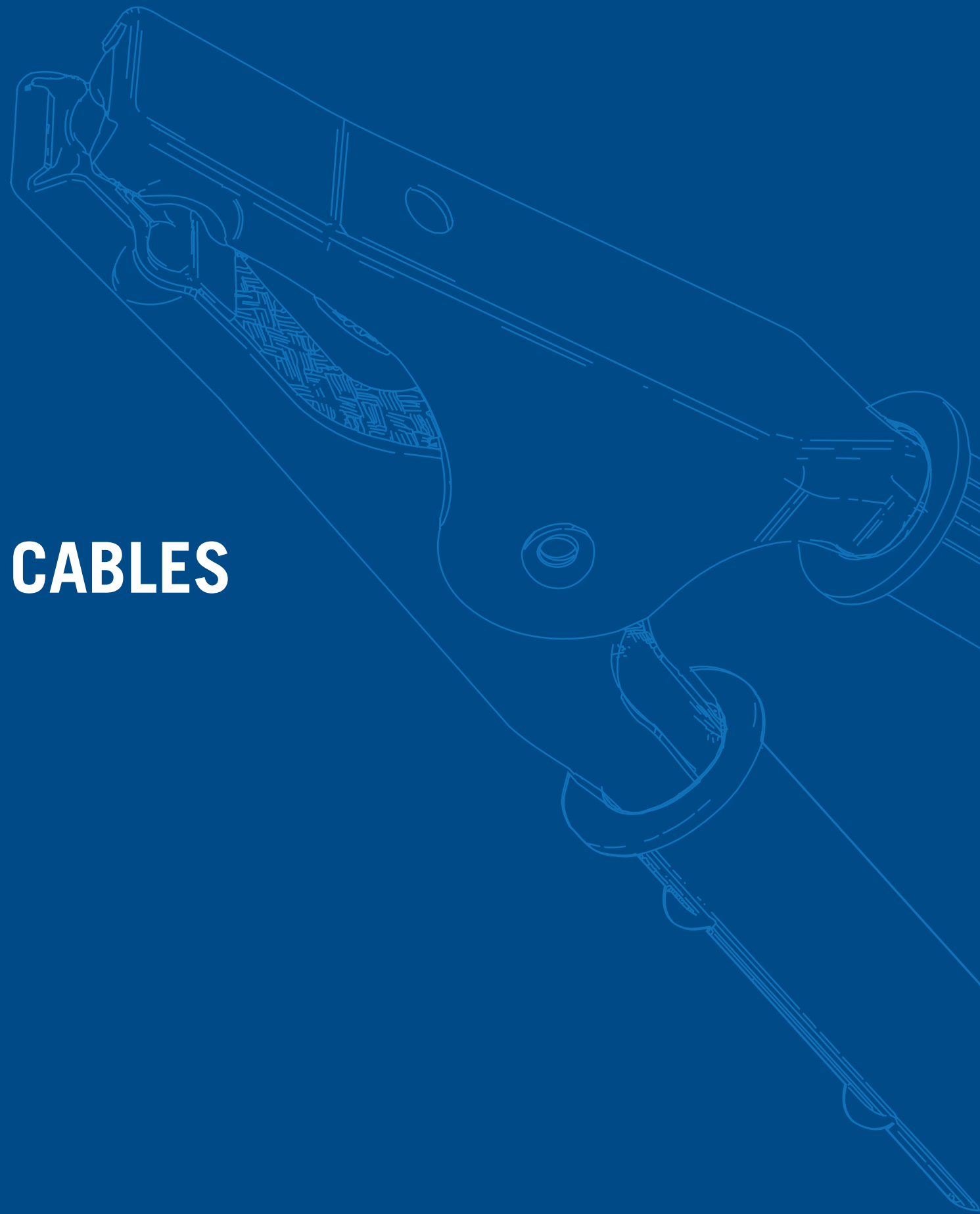
LEVEL SENSORS



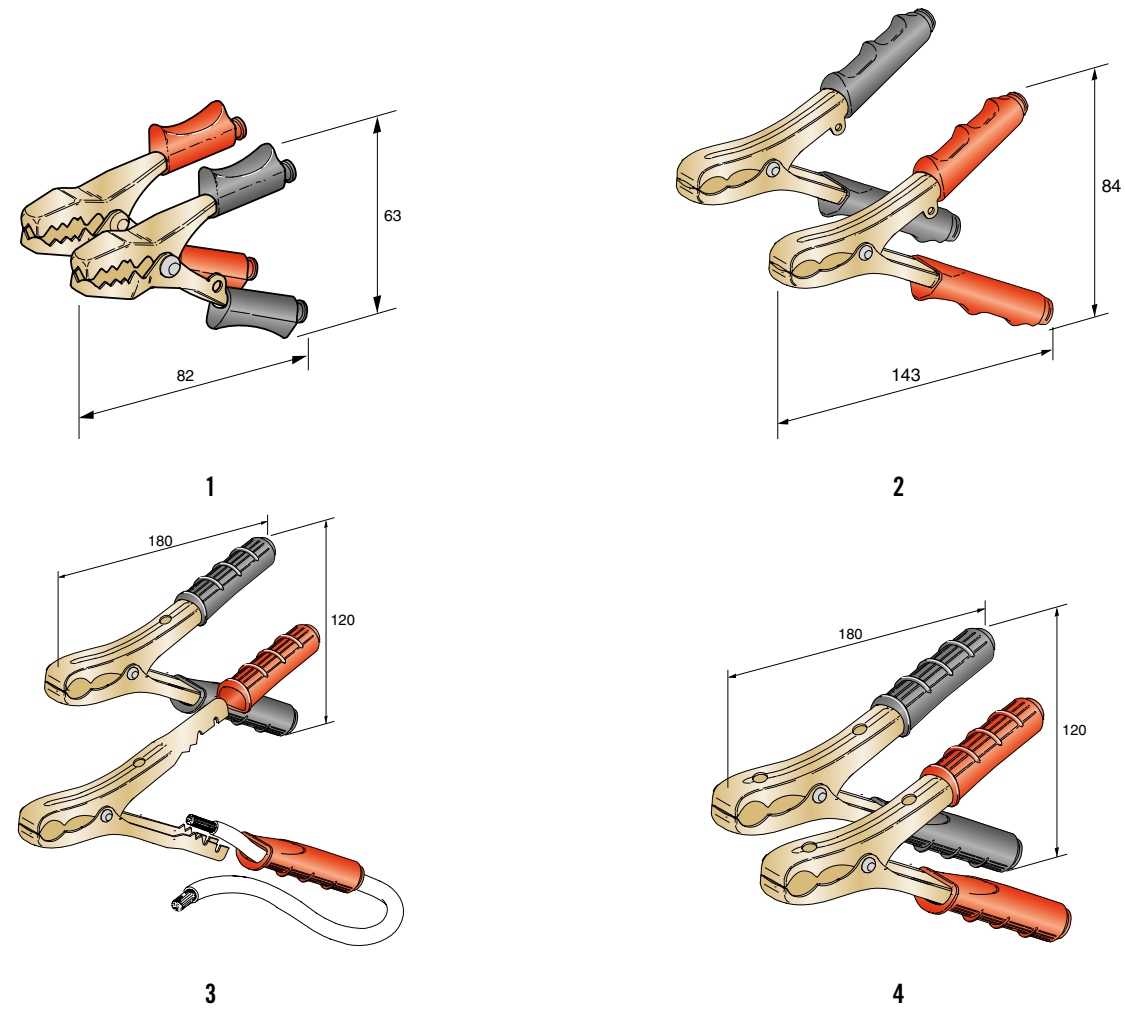
IMG	DESCRIPTION	TYPE	L mm	L1 mm	L2 mm	MATERIAL	P/N	MOQ
1	LEVEL SENSOR	A	64,4	26,4	30,9	PA66	7050088	600
	LEVEL SENSOR	B	84,4	26,4	30,9	PA66	7050096	400
	LEVEL SENSOR	C	53,7	26,4	30,9	PA66	7050092	600
	LEVEL SENSOR	A	64,4	26,4	30,9	PA66	7050100	600
	LEVEL SENSOR	A	64,4	26,4	30,9	PA66	7050101	600
2	FLOAT	A	42	11,4	11,4	PA Light Blue	7057093	1000
	FLOAT	C	42	11,4	11,4	PP White	7057092	700
3	FLOAT	A-B	42	24	11,4	PP White	7057088	1000



CABLES

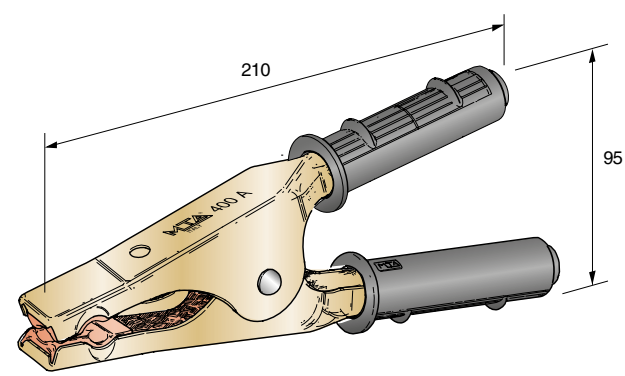


CHARGING CLIPS

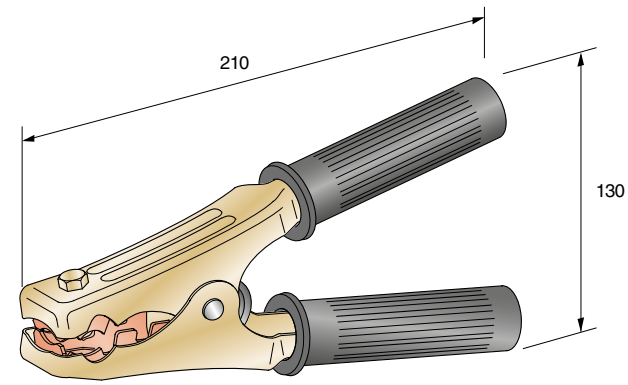


IMG	DESCRIPTION	AMP	COLOUR	WIRE SECTION mm ²	P/N BULK	MOQ
1	CHARGING CLIP	40 A	■ Red	6÷10	4914221	300
	CHARGING CLIP	40 A	■ Black	6÷10	4914222	300
2	CHARGING CLIP	100 A	■ Red	10÷25	4914256	200
	CHARGING CLIP	100 A	■ Black	10÷25	4914257	200
3	CHARGING CLIP	120 A	■ Red	10÷35	4914258	100
	CHARGING CLIP	120 A	■ Black	10÷35	4914259	100
4	CHARGING CLIP	200 A	■ Red	10÷35	4914262	100
	CHARGING CLIP	200 A	■ Black	10÷35	4914264	100

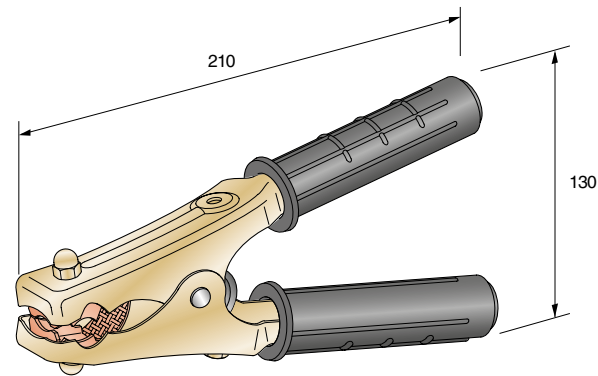
CHARGING CLIPS



1

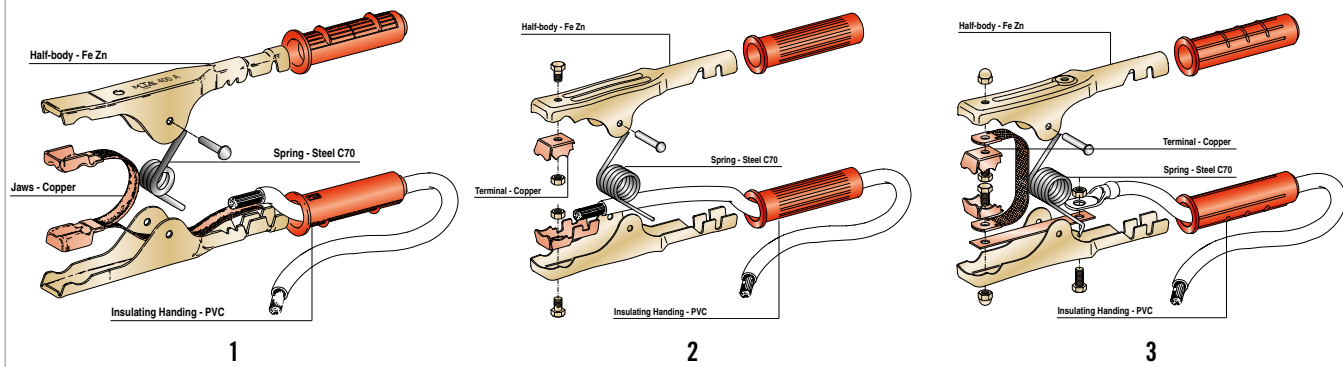


2

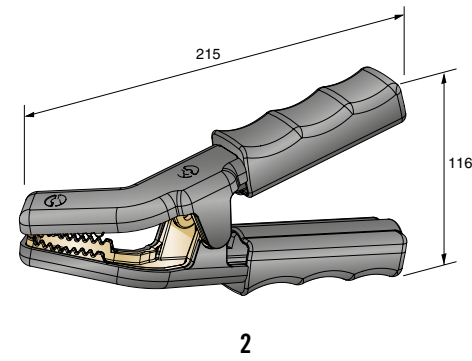
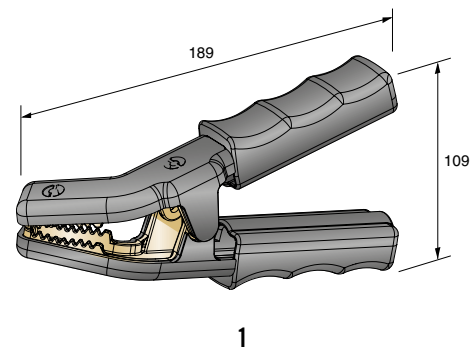


3

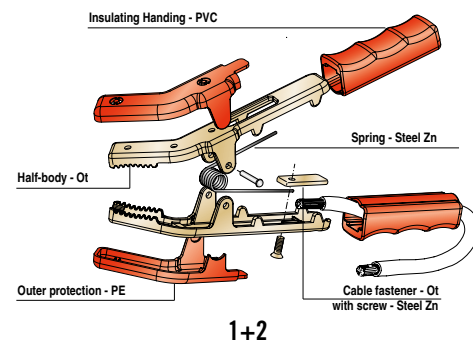
IMG	DESCRIPTION	AMP	COLOUR	WIRE SECTION mm ²	P/N BULK	MOQ
1	CHARGING CLIPS	400 A	■ Red	10÷30	4914267	50
	CHARGING CLIPS	400 A	■ Black	10÷30	4914268	50
2	CHARGING CLIPS	500 A	■ Red	35÷50	4914312	25
	CHARGING CLIPS	500 A	■ Black	35÷50	4914313	25
3	CHARGING CLIPS	600 A	■ Red	50	4914322	25
	CHARGING CLIPS	600 A	■ Black	50	4914323	25



CHARGING CLIPS



IMG	DESCRIPTION	AMP	COLOUR	WIRE SECTION mm ²	P/N BOX	MOQ
1	CHARGING CLIPS	850 A	■ Red	25÷70	4914327	17
	CHARGING CLIPS	850 A	■ Black	25÷70	4914326	17
2	CHARGING CLIPS	1000 A	■ Red+Black	35÷70	4814332	4



BOOSTER CABLES



1



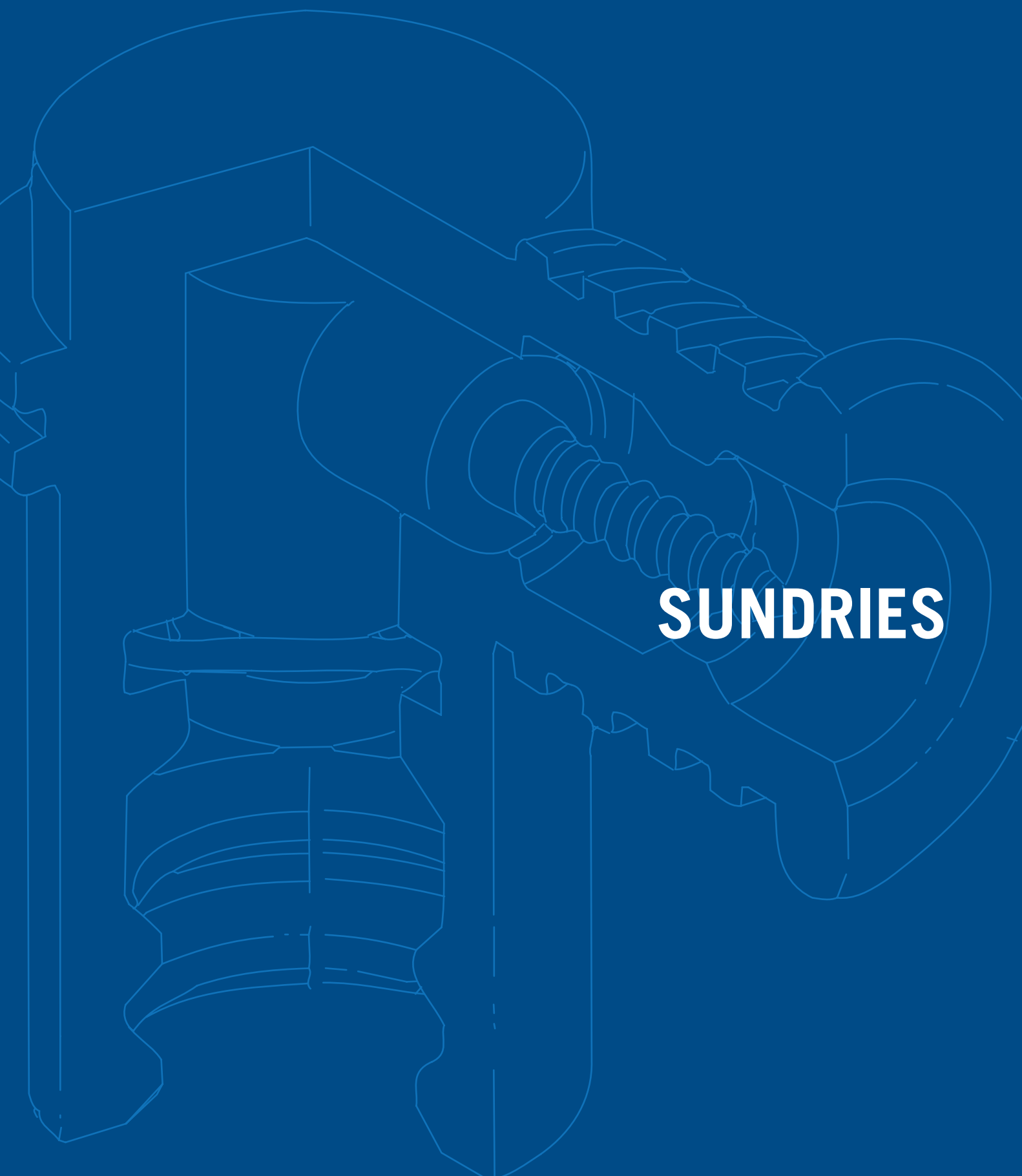
2



3

REUSABLE BAG WITH HANDLES
19 LANGUAGES INSTRUCTIONS

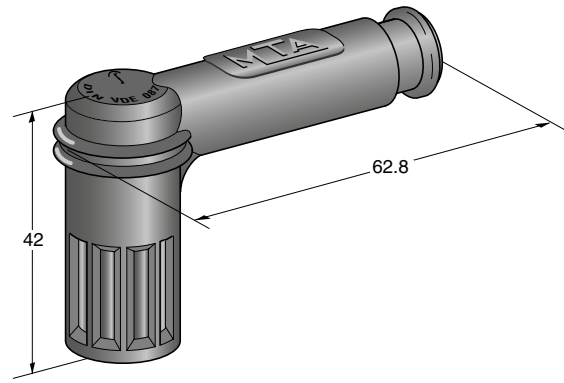
IMG	DESCRIPTION	MATERIAL	AMP	L mm	WIRE SECTION mm ²	P/N BOX	MOQ
1	BOOSTER CABLES	HI-FLEX	120 A	2500	16	4814271	1
	BOOSTER CABLES	HI-FLEX	120 A	2500	25	4814281	1
	BOOSTER CABLES	HI-FLEX	120 A	3500	25	4814282	1
2	BOOSTER CABLES	HI-FLEX	400 A	3500	25	4814290	1
	BOOSTER CABLES	HI-FLEX	400 A	5000	25	4814291	1
3	BOOSTER CABLES	HI-FLEX	500 A	5000	35	4814295	1
	BOOSTER CABLES	HI-FLEX	500 A	3500	50	4814373	1
	BOOSTER CABLES	HI-FLEX	600 A	5000	50	4814361	1



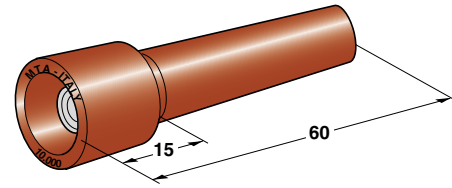
SUNDRIES



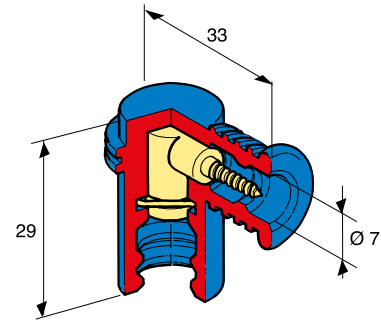
SPARK PLUGS



1

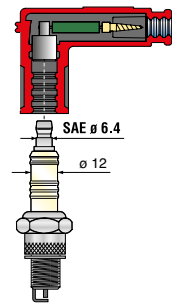


2

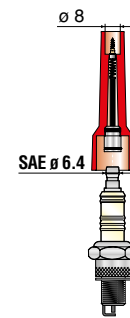


3

IMG.	DESCRIPTION	SPARK PLUG	RESISTANCE Ω	CABLE mm	MATERIAL	P/N BOX	MOQ	P/N BULK	MOQ
1	SPARK PLUG	D	5000	-	EPDM			1900930	500
2	SUPPRESSOR WITH WIRE WOUND RESISTOR		5000	-	PBT GF20	1000618	50		
3	SPARK PLUG			7	EPDM CuZn	1200590	50	1900590	1000

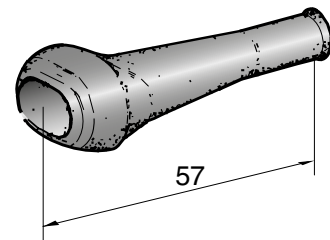


D

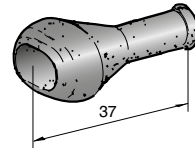


1000618

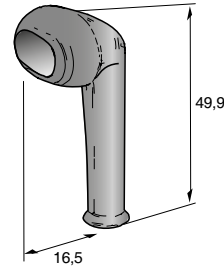
CAPS



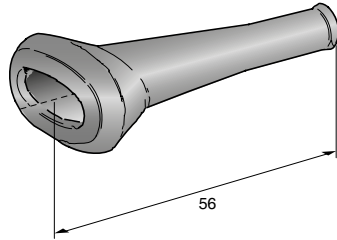
1



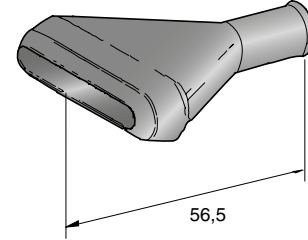
2



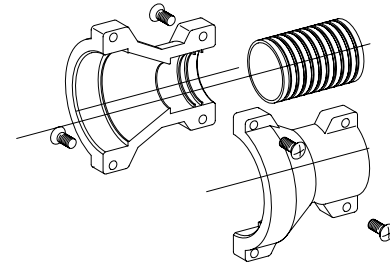
3



4



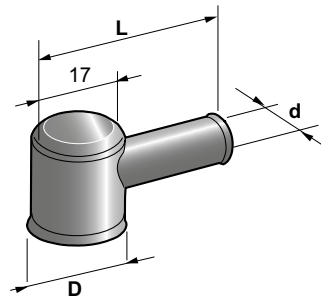
5



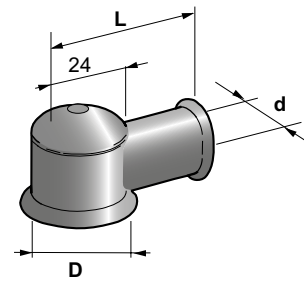
6

IMG	DESCRIPTION	WAY	Ø mm	MATERIAL	COLOUR	P/N BULK	MOQ
1	CAP FOR CONNECTOR JT	2		Rubber	■ Black	4520901	500
2	CAP FOR CONNECTOR JT	2		Rubber	■ Black	4520902	500
3	CAP FOR CONNECTOR JPT	2		Rubber	■ Black	4520911	500
4	CAP FOR CONNECTOR JPT	3		Rubber	■ Black	4520921	500
5	CAP FOR CONNECTOR JT	7		Rubber	■ Black	4520931	500
6	ADAPTOR FOR CONNECTORS		44,6	PA66	■ Black	4551575	500

CAPS



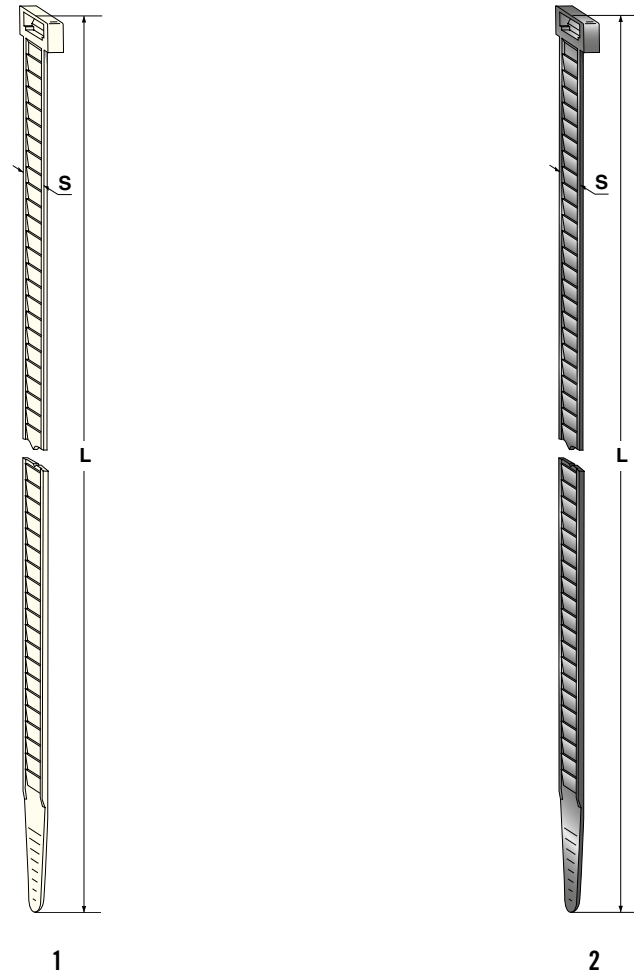
1



2

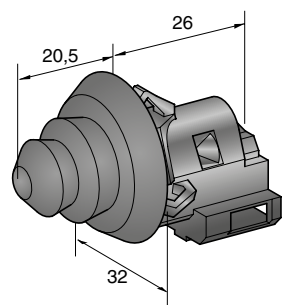
IMG	DESCRIPTION	L	d	D	MATERIAL	COLOUR	P/N BULK	MOQ
1	CAP	37	6	11	PVC	Black	4410300	100
	CAP	41	7,5	15	PVC	Black	4410310	100
	CAP	61	9	16	PVC	Black	4410320	100
2	ALTERNATOR CAP	48	11	21	CR60	Black	4510400	500

SELF EXTINGUISHING CABLE TIES

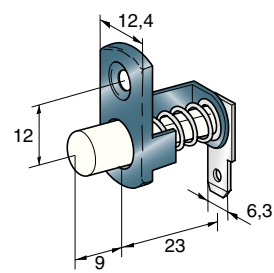


IMG.	DESCRIPTION	MATERIAL	OPERATION TEMP	L mm	S mm	Ø mm	Kg mm	P/N WHITE	MOQ	P/N BLACK	MOQ
1/2	SELF EXTINGUISHING CABLE TIE	PA66 V2 - UL94	-40°C +85°C	98	2,5	20	8			4621410	100
	SELF EXTINGUISHING CABLE TIE	PA66 V2 - UL94	-40°C +85°C	135	2,5	25	8			4621420	100
	SELF EXTINGUISHING CABLE TIE	PA66 V2 - UL94	-40°C +85°C	200	2,6	50	8			4621430	100
	SELF EXTINGUISHING CABLE TIE	PA66 V2 - UL94	-40°C +85°C	140	3,6	30	13			4621440	100
	SELF EXTINGUISHING CABLE TIE	PA66 V2 - UL94	-40°C +85°C	290	3,6	75	13	4621150	100	4621450	100
	SELF EXTINGUISHING CABLE TIE	PA66 V2 - UL94	-40°C +85°C	160	4,5	36	18			4621460	100
	SELF EXTINGUISHING CABLE TIE	PA66 V2 - UL94	-40°C +85°C	178	4,8	40	22			4621470	100
	SELF EXTINGUISHING CABLE TIE	PA66 V2 - UL94	-40°C +85°C	200	4,8	50	22	4621180	100	4621480	100
	SELF EXTINGUISHING CABLE TIE	PA66 V2 - UL94	-40°C +85°C	250	4,8	62	22			4621490	100
	SELF EXTINGUISHING CABLE TIE	PA66 V2 - UL94	-40°C +85°C	290	4,8	75	22	4621200	100	4621500	100
	SELF EXTINGUISHING CABLE TIE	PA66 V2 - UL94	-40°C +85°C	360	4,8	100	22	4621210	100	4621510	100
	SELF EXTINGUISHING CABLE TIE	PA66 V2 - UL94	-40°C +85°C	180	7,8	40	54			4621530	100
	SELF EXTINGUISHING CABLE TIE	PA66 V2 - UL94	-40°C +85°C	240	7,8	50	54			4621540	100
	SELF EXTINGUISHING CABLE TIE	PA66 V2 - UL94	-40°C +85°C	300	7,8	77	54			4621550	100
	SELF EXTINGUISHING CABLE TIE	PA66 V2 - UL94	-40°C +85°C	365	7,8	100	54	4621260	100	4621560	100
	SELF EXTINGUISHING CABLE TIE	PA66 V2 - UL94	-40°C +85°C	450	7,8	125	54			4621570	100
	SELF EXTINGUISHING CABLE TIE	PA66 V2 - UL94	-40°C +85°C	540	7,8	150	54			4621580	100
	SELF EXTINGUISHING CABLE TIE	PA66 V2 - UL94	-40°C +85°C	750	7,8	200	54			4621590	100

PRESS SWITCHES



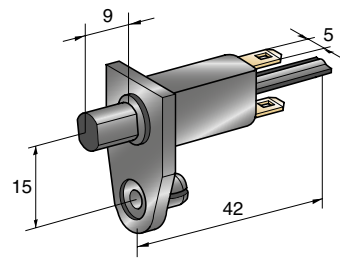
1



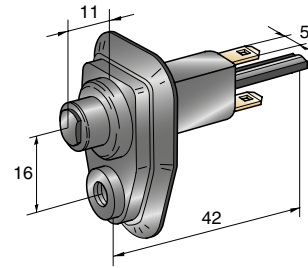
2

IMG	DESCRIPTION	APPLICATION	P/N BOX	MOQ
1	PRESS SWITCH	MULTIFUNCTIONAL RENAULT	4209655	1
2	PRESS SWITCH	DOORS FIAT RITMO - PANDA - 131 - 132 - 128	4209500	1

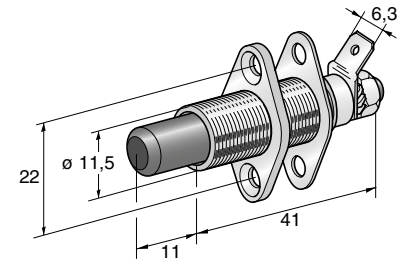
PRESS SWITCHES



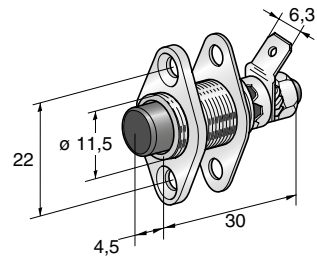
1



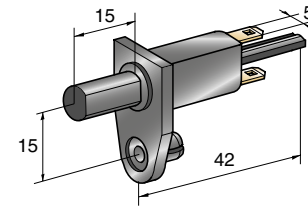
2



3



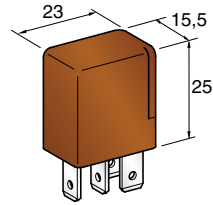
4



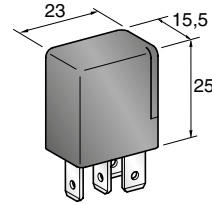
5

IMG	DESCRIPTION	APPLICATION	P/N BOX	MOQ
1	PRESS SWITCH	DOORS FIAT UNO	4209520	1
2	PRESS SWITCH	DOORS FIAT CROMA - LANCIA THEMA	4209530	1
3	PRESS SWITCH	AUTOALARM, DOORS, TAILGATES	4209570	1
4	PRESS SWITCH	AUTOALARM, DOORS, TAILGATES	4209580	1
5	PRESS SWITCH	BOOT ALFA 164	4209590	1

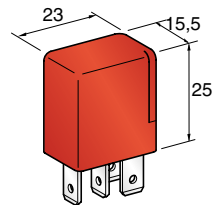
RELAYS



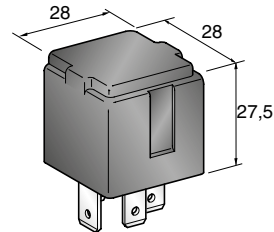
1



2

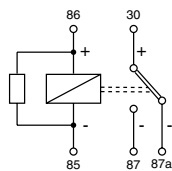


3

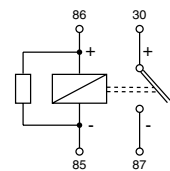


4

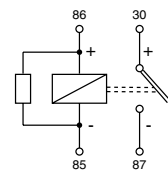
IMG	DESCRIPTION	COLOUR	RATED CURRENT WITH 80°C	RATED VOLTAGE	WORKING TEMPERATURE T.min/T.max	P/N BOX	MOQ
1	MICRO RELAY	■ Brown	10A (NC) - 20A (NO)	12 V	-40°C/+125°C	0603000	1
2	MICRO RELAY	■ Black	20A (NO)	12 V	-40°C/+125°C	0603010	1
3	MICRO RELAY	■ Red	30A (NO)	12 V	-40°C/+125°C	0603020	1
4	MAXI RELAY	■ Black	50A (NO)	12 V	-40°C/+125°C	0603050	1



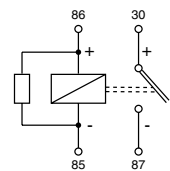
1



2

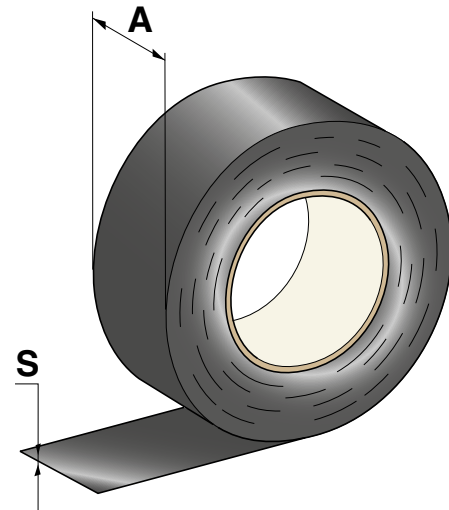


3



4

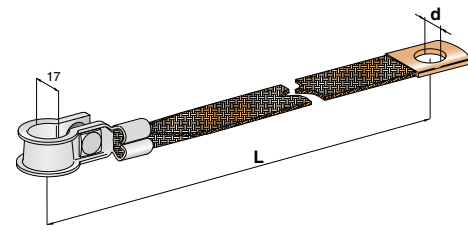
SELF EXTINGUISHING INSULATING TAPE



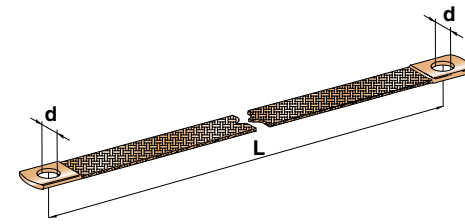
1

IMG	DESCRIPTION	MATERIAL	COLOUR	A mm	L mm	S mm	P/N BOX	MOQ
1	SELF-EXTINGUISHING INSULATING TAPE	PVC - V0	■ Black	15	10000	0,15	4640100	10
	SELF-EXTINGUISHING INSULATING TAPE	PVC - V0	■ Black	15	25000	0,15	4640200	10
	SELF-EXTINGUISHING INSULATING TAPE	PVC - V0	■ Black	19	25000	0,15	4640300	10
	SELF-EXTINGUISHING INSULATING CLOTH TAPE	RAYON	■ Black	19	25000	0,28	0100302	96

GROUND CONNECTIONS



1

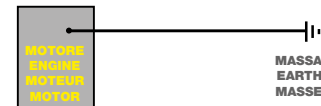


2

IMG	DESCRIPTION	WIRE SECTION mm ²	d mm	L mm	P/N BOX	MOQ
1	EARTH CONNECTION	25	12,5	400	2508682	1
2	EARTH CONNECTION	10	8,4	280	2508652	1
	EARTH CONNECTION	15	10,4	330	2508660	1
	EARTH CONNECTION	15	10,4	450	2508661	1
	EARTH CONNECTION	15	10,4	280	2508662	1
	EARTH CONNECTION	15	10,4	210	2508663	1
	EARTH CONNECTION	25	12,5	320	2508670	1
	EARTH CONNECTION	25	12,5	400	2508672	1



1



2

LIST OF ALL ITEMS

LIST OF ALL ITEMS

P/N	PAGE	P/N	PAGE	P/N	PAGE	P/N	PAGE	P/N	PAGE
0100302	183	0101470	37	0300071	76	0300460	29	0301045	28
0100335	72	0101484	35	0300330	65	0300463	29	0301050	70, 71
0100336	72	0101491	48	0300331	65	0300464	29	0301053	27
0100337	72	0101494	36	0300336	72	0300465	29	0301060	70, 71
0100345	62	0101497	77	0300341	67	0300468	22	0301070	70, 71
0100350	64	0101498	77	0300342	67	0300489	97	0301080	70, 71
0100351	64	0101499	77	0300345	62	0300500	33	0301152	74
0100353	64	0101504	36	0300351	64	0300540	56	0301163	32
0100358	86	0101510	37	0300352	85	0300541	56	0301180	40
0100359	64, 66	0101520	41	0300353	86	0300542	56	0301199	29
0100360	73	0101530	41	0300354	64	0300552	30	0301200	70
0100370	73	0101540	41	0300357	64, 65	0300557	29	0301204	29
0100380	75	0101550	40	0300358	86	0300560	56	0301210	70
0100390	71	0101564	35	0300359	64, 66	0300561	56	0301223	78
0100391	71	0101568	49	0300360	73	0300562	56	0301224	78
0100392	86	0101569	51	0300370	73	0300564	38	0301225	81
0100400	63	0101580	39	0300380	75	0300580	56	0301226	81
0100415	63	0101590	39	0300390	71	0300581	56	0301227	81
0100416	60	0101600	37	0300391	71	0300582	56, 57	0301229	19
0100420	66	0101640	35	0300392	86	0300590	57	0301230	19
0100430	86	0101660	36	0300395	85	0300600	57	0301237	46
0100440	86	0101690	37	0300397	100	0300602	57	0301249	80
0100500	33	0101695	36	0300398	85	0300610	57	0301250	80
0100540	56	0101697	38	0300400	63	0300612	57	0301251	80
0100560	56	0101698	38	0300401	63	0300650	53	0301252	79
0100580	56	0101703	21	0300402	63	0300660	53	0301301	61
0100590	57	0101706	41	0300403	63	0300670	53	0301305	61
0100600	57	0101707	41	0300404	63	0300680	53	0301307	61
0100610	57	0101881	68	0300405	63	0300690	85	0301310	61
0100655	53	0101882	68	0300406	63	0300691	85	0301315	61
0100665	53	0101883	69	0300407	63	0300697	87	0301320	61
0100699	40	0101884	69	0300415	63	0300698	87	0301325	61
0100703	20	0200140	16	0300416	60	0300699	40	0301330	61
0100705	53	0200150	16	0300419	26	0300700	53	0301370	47
0100710	24	0200151	16	0300420	66	0300791	38	0301371	47, 48, 49, 50, 51, 52
0100800	33	0200170	16	0300421	27	0300793	35	0301372	47
0101005	70	0200171	16	0300430	86	0300800	33	0301373	50
0101180	40	0200180	16	0300440	86	0300839	23	0301374	52
0101223	78	0200181	16	0300442	22	0300849	33	0301375	38
0101224	78	0200296	17	0300452	29	0300850	33	0301376	46
0101370	47	0200297	17	0300454	29	0300856	84	0301400	60
0101371	47, 48, 49, 51	0200298	17	0300455	29	0300949	84	0301410	60
0101375	38	0200299	17	0300456	29	0300950	33	0301420	55
0101400	60	0200300	17	0300457	29	0301000	70	0301430	55
0101450	41	0200301	17	0300458	29	0301030	70, 71	0301431	55
0101460	35	0300070	76	0300459	29	0301040	70, 71	0301435	55

LIST OF ALL ITEMS



P/N	PAGE	P/N	PAGE	P/N	PAGE	P/N	PAGE	P/N	PAGE
0301450	41	0301699	38	0470080	14	0600401	5	0603000	182
0301460	35	0301706	41	0470100	14	0600410	5	0603010	182
0301470	37	0301707	41	0471030	14	0600420	5	0603020	182
0301484	35	0301865	31	0471040	14	0600430	5	0603050	182
0301486	35	0301873	31	0471050	14	0600440	5	0610030	7
0301491	48	0301887	26	0471060	14	0600450	5	0610035	7
0301494	36	0302000	58	0471080	14	0600460	5	0610040	7
0301496	36	0302001	58	0471100	14	0600470	5	0610050	7
0301497	77	0302305	61	0472030	14	0600900	8	0610060	7
0301498	77	0302310	61	0472040	14	0600910	8	0610070	7
0301499	77	0302315	61	0472050	14	0600920	8	0610080	7
0301502	74	0302320	61	0472060	14	0600930	8	0615080	10
0301504	36	0302325	61	0472080	14	0600940	8	0615100	10
0301506	36	0302330	61	0472100	14	0600950	8	0615125	10
0301508	79	0303003	54	0474020	13	0600960	8	0615150	10
0301509	79	0303005	54	0474030	13	0600970	8	0615175	10
0301510	37	0303006	54	0474040	13	0601100	11	0615200	10
0301511	79	0303007	54	0474050	13	0601125	11	0615225	10
0301512	80	0303008	54	0474060	13	0601150	11	0615250	10
0301520	41	0303009	54	0474070	13	0601175	11	0615300	10
0301530	41	0303010	54	0474080	13	0601200	11	0615500	10
0301540	41	0303015	54	0475020	14	0601225	11	0700090	4
0301550	40	0303020	54	0475030	14	0601250	11	0700100	4
0301564	35	0303025	54	0475040	14	0601300	11	0700101	4
0301566	35	0303030	54	0475050	14	0601350	12	0700110	4
0301568	49	0321000	70	0475060	14	0601400	12	0700120	4
0301569	51	0321200	70	0475070	14	0601401	11	0700130	4
0301580	39	0321210	70	0475080	14	0601450	12	0700140	4
0301590	39	0350459	29	0475100	14	0601500	12	0700150	4
0301600	37	0350558	29	0477045	13	0601600	11	0700160	4
0301601	37, 38	0404015	13	0477065	13	0601700	12	0700170	4
0301602	37	0404020	13	0477075	13	0602030	9	0700210	15
0301620	45	0404025	13	0600090	4	0602040	9	0700220	15
0301630	46	0404030	13	0600100	4	0602050	9	0700230	15
0301640	35	0404040	13	0600101	4	0602060	9	0700240	15
0301660	36	0424020	13	0600110	4	0602070	9	0700250	15
0301661	36	0424025	13	0600120	4	0602080	9	0700260	15
0301680	43	0424030	13	0600130	4	0602100	9	0700270	15
0301681	44	0424040	13	0600140	4	0602125	9	0700280	15
0301682	42	0424050	13	0600150	4	0602920	6	0700290	15
0301690	37	0424060	13	0600160	4	0602925	6	0700300	5
0301691	37	0470020	14	0600170	4	0602930	6	0700301	5
0301695	36	0470030	14	0600375	5	0602935	6	0700302	15
0301696	36	0470040	14	0600380	5	0602940	6	0700310	5
0301697	38	0470050	14	0600390	5	0602950	6	0700320	5
0301698	38	0470060	14	0600400	5	0602960	6	0700330	5

LIST OF ALL ITEMS

P/N	PAGE	P/N	PAGE	P/N	PAGE	P/N	PAGE	P/N	PAGE
0700340	5	0702930	6	0710350	5	1107400	144	1108400	141
0700350	5	0702935	6	0710360	5	1107410	144	1108401	141
0700360	5	0702940	6	0710370	5	1107420	144	1108402	141
0700370	5	0702950	6	0710375	5	1107501	143	1108500	142
0700375	5	0702960	6	0711100	11	1107620	145	1108501	142
0700380	5	0705090	4	0711125	11	1107621	145	1108502	142
0700390	5	0705100	4	0711150	11	1107622	145	1108503	142
0700900	8	0705101	4	0711175	11	1107650	145	1108511	142
0700910	8	0705110	4	0711200	11	1107660	145	1108512	142
0700920	8	0705120	4	0711225	11	1107670	145	1108513	142
0700930	8	0705130	4	0711250	11	1107671	145	1200590	176
0700940	8	0705140	4	0715080	10	1107675	145	1301390	147
0700950	8	0705150	4	0715100	10	1107685	145	1301391	147
0700960	8	0705160	4	0715125	10	1107690	145	1301400	147
0700970	8	0705170	4	0715150	10	1107700	145	1301402	147
0701100	11	0708030	9	0715175	10	1107710	145	1301411	147
0701125	11	0708040	9	0715200	10	1107720	145	1301412	147
0701150	11	0708050	9	0715225	10	1107740	146	1301420	148
0701175	11	0708060	9	0715250	10	1107741	146	1301501	148
0701200	11	0708070	9	0715300	10	1107760	144	1301650	147
0701225	11	0708080	9	0715500	10	1107770	144	1301660	147
0701250	11	0708100	9	1000618	176	1107900	143	1506100	115
0701300	11	0708125	9	1101400	147	1107901	143	1506110	115
0701350	12	0708150	9	1101412	147	1107920	143	1506120	115
0701400	12	0708175	9	1101650	147	1107930	143	1506130	115
0701401	11	0708200	9	1101660	147	1107940	143	1506200	116
0701450	12	0710030	7	1101662	147	1107990	142	1506210	116
0701500	12	0710035	7	1101680	148	1107991	142	1506250	115
0701600	11	0710040	7	1101700	147	1107992	142	1506260	115
0701700	12	0710050	7	1101710	147	1107993	142	1506270	115
0702030	9	0710060	7	1101720	148	1108110	123	1506280	115
0702040	9	0710070	7	1102050	152	1108120	123	1506655	114
0702050	9	0710080	7	1104500	150	1108260	150	1506658	114
0702060	9	0710100	7	1104510	150	1108270	150	1506665	114
0702070	9	0710130	7	1105500	149	1108290	150	1506668	114
0702080	9	0710135	7	1105510	149	1108300	150	1506678	114
0702100	9	0710140	7	1105550	149	1108330	140	1506720	114
0702125	9	0710150	7	1105560	149	1108331	140	1506730	114
0702825	6	0710160	7	1105615	152	1108332	140	1506740	116
0702830	6	0710170	7	1105620	152	1108337	140	1506760	116
0702835	6	0710180	7	1105630	152	1108338	140	1506765	116
0702840	6	0710300	5	1105660	152	1108339	140	1507601	113
0702850	6	0710310	5	1105670	152	1108380	139	1507700	111
0702860	6	0710320	5	1107000	148	1108381	139	1507701	111
0702920	6	0710330	5	1107010	148	1108382	139	1507703	111
0702925	6	0710340	5	1107020	148	1108383	139	1507704	111

LIST OF ALL ITEMS



P/N	PAGE	P/N	PAGE	P/N	PAGE	P/N	PAGE	P/N	PAGE
1507705	111	1605610	126	1608381	132	1705835	125	1707675	145
1507707	111	1605620	126	1608382	132	1705846	125	1707685	145
1507708	111	1605630	126	1608384	132	1705855	125	1707690	145
1507736	111	1605650	126	1608400	134	1705856	125	1707700	145
1507760	111	1605700	126	1608415	135	1705857	125	1707710	145
1507771	111	1605710	126	1608420	134	1705925	125	1707720	145
1507772	111	1605720	126	1608460	134	1706600	131	1707740	146
1507790	111	1605730	126	1608500	132	1706700	121	1707741	146
1507800	112	1605800	126	1608510	132	1706701	121	1707742	146
1507820	112	1605810	126	1608520	136	1706710	121	1707760	144
1507830	112	1605811	126	1608540	137	1706711	121	1707770	144
1507875	112	1605815	125	1608600	136	1706712	129	1707780	144
1507905	113	1605820	126	1608700	136	1706713	131	1707900	143
1507915	113	1605830	126	1608800	123	1706720	121	1707901	143
1507925	113	1605847	126	1609000	120	1706721	121	1707902	143
1507946	113	1605900	126	1609100	136	1706730	121	1707911	143
1507955	113	1605905	125	1609200	122	1706731	121	1707912	143
1507957	113	1605910	126	1609320	123	1706740	121	1707920	143
1507975	113	1605911	126	1609330	123	1706741	121	1707930	143
1556792	137	1605920	126	1609340	123	1706750	121	1707932	143
1600047	132	1605930	126	1609600	137	1706760	121	1707940	143
1600048	128	1606500	131	1609910	136	1706880	131	1707942	143
1602550	120	1606770	131	1609911	136	1706890	131	1707990	142
1602970	120	1606775	131	1609920	136	1706900	127	1707991	142
1602980	120	1606785	131	1609960	137	1706910	127	1707992	142
1602981	120	1606791	131	1617500	132	1706920	127	1707993	142
1602990	120	1606795	131	1700043	145	1706930	127	1707994	142
1603000	120	1606796	131	1700044	145	1706940	127	1707995	142
1603001	130	1606981	128	1701650	147	1706950	128	1708110	123
1603002	130	1606982	128	1701655	147	1706960	128	1708120	123
1603003	130	1606990	128	1701940	148	1706970	128	1708150	121
1603004	130	1606992	128	1704000	132	1706975	129	1708160	121
1603005	130	1606994	128	1704010	132	1706977	129	1708170	122
1603006	130	1606995	135	1705606	124	1706980	128	1708175	122
1603007	130	1607400	135	1705616	124	1706990	128	1708200	128
1603008	130	1607500	132	1705626	124	1707400	144	1708210	122
1604300	122	1607510	133	1705656	124	1707410	144	1708215	122
1605000	138	1607511	133	1705705	124	1707420	144	1708220	128
1605010	138	1608180	123	1705715	124	1707620	145	1708230	122
1605020	138	1608190	123	1705725	124	1707621	145	1708231	122
1605021	138	1608196	123	1705726	125	1707622	145	1708240	124
1605030	138	1608210	122	1705735	124	1707650	145	1708245	124
1605040	138	1608323	122	1705745	124	1707660	145	1708246	124
1605100	138	1608345	128	1705816	125	1707670	145	1708250	125
1605110	138	1608346	128	1705825	125	1707671	145	1708251	125
1605600	126	1608380	132	1705826	125	1707672	145	1708270	129

LIST OF ALL ITEMS

P/N	PAGE	P/N	PAGE	P/N	PAGE	P/N	PAGE	P/N	PAGE
1708280	124	1853070	156	2508682	184	4410220	106	4510115	101
1708310	122	1853150	156	3001001	71	4410230	106	4510120	101
1708315	122	1853200	156	3050123	102	4410240	106	4510125	101
1708320	122	1853250	156	3050124	102	4410245	82	4510150	105
1708325	122	1854400	157	3050125	102	4410246	82	4510160	105
1708330	140	1854550	158	3050126	102	4410247	82	4510170	105
1708331	140	1855000	157	3050127	102	4410250	106	4510180	105
1708332	140	1855500	157	3050128	102	4410260	106	4510190	105
1708334	140	1856000	158	3050129	103	4410270	107	4510200	105
1708335	140	1857100	156	3050130	103	4410280	107	4510210	106
1708336	140	1857150	156	3050131	103	4410290	107	4510220	106
1708337	140	1857200	156	3050132	103	4410295	107	4510230	106
1708338	140	1857250	156	3050133	103	4410296	107	4510240	106
1708339	140	1860500	157	3050134	103	4410300	178	4510250	106
1708360	135	1861000	157	3050153	61	4410310	178	4510260	106
1708370	135	1862000	158	4209500	180	4410320	178	4510270	107
1708380	139	1863100	156	4209520	181	4420800	108	4510280	107
1708381	139	1863150	156	4209530	181	4423510	104	4510290	107
1708382	139	1863200	156	4209570	181	4423520	104	4510295	107
1708383	139	1863250	156	4209580	181	4423530	104	4510296	107
1708391	139	1863300	156	4209590	181	4423540	104	4510400	178
1708392	139	1864000	160	4209655	180	4423550	104	4510480	118
1708400	141	1864100	160	4407510	150	4423560	104	4510495	117
1708401	141	1864300	160	4407530	149	4423610	102	4510496	117
1708402	141	1864400	160	4407740	149	4423620	102	4510497	117
1708500	142	1864600	160	4407750	149	4423630	102	4510499	117
1708501	142	1864700	160	4410070	108	4423640	102	4510502	118
1708502	142	1868000	161	4410072	108	4423650	102	4510503	118
1708503	142	1868100	161	4410073	108	4423660	102	4510658	150
1708504	142	1868200	161	4410074	108	4423670	103	4510662	150
1708505	142	1880230	162	4410076	108	4423680	103	4510801	96
1708511	142	1880240	162	4410077	108	4423690	103	4510802	96
1708512	142	1880250	162	4410080	108	4423700	103	4510810	97
1708513	142	1900590	176	4410082	108	4423710	103	4510811	97
1793752	133	1900930	176	4410084	108	4423720	103	4510812	97
1793753	133	1901660	147	4410086	108	4423721	151	4510820	97
1796416	133	1906970	128	4410090	159	4430100	109	4510821	97
1850300	157	1907501	143	4410091	159	4430110	109	4510830	96
1850400	157	1951194	147	4410096	159	4430120	109	4510840	95
1850450	158	2508652	184	4410150	105	4430130	109	4510870	98
1851000	157	2508660	184	4410160	105	4507770	151	4510875	98
1851500	157	2508661	184	4410170	105	4507771	151	4510880	95
1852000	158	2508662	184	4410180	105	4510090	159	4510881	95
1852400	159	2508663	184	4410190	105	4510091	159	4510890	95
1853050	156	2508670	184	4410200	105	4510096	159	4510891	95
1853060	156	2508672	184	4410210	106	4510110	101	4510921	97

LIST OF ALL ITEMS



P/N	PAGE	P/N	PAGE	P/N	PAGE	P/N	PAGE
4510970	98	4545400	90	4621550	179	5050124	165
4510975	98	4545800	92	4621560	179	5050126	166
4520901	177	4550747	140	4621570	179	5050127	166
4520902	177	4550748	140	4621580	179	5050128	167
4520911	177	4550749	140	4621590	179	5050133	168
4520921	177	4550750	140	4640100	183	5050136	166
4520931	177	4550780	144	4640200	183	5050140	166
4540105	89	4550781	144	4640300	183	5050143	166
4540110	93	4550782	144	4814271	174	5050147	166
4540111	93	4550784	144	4814281	174	5050155	166
4540112	93	4551575	177	4814282	174	5050156	166
4540150	89	4551605	100	4814290	174	5050227	166
4540205	89	4551606	100	4814291	174	5051108	167
4540210	93	4551607	100	4814295	174	5056000	165
4540211	93	4551610	100	4814332	173	5056005	165
4540212	93	4551611	100	4814361	174	5114861	165
4540303	91	4551612	100	4814373	174	5114901	165
4540305	90	4551613	100	4914221	171	5151137	167
4540312	90	4551747	140	4914222	171	5515870	168
4540315	90	4551748	140	4914256	171	7050088	169
4540325	90	4551749	140	4914257	171	7050092	169
4540345	90	4551897	94	4914258	171	7050096	169
4540405	90	4551898	94	4914259	171	7050100	169
4540410	90	4551899	94	4914262	171	7050101	169
4540420	90	4551900	94	4914264	171	7057088	169
4540430	90	4551901	142	4914267	172	7057092	169
4540500	91	4551902	142	4914268	172	7057093	169
4540501	91	4551903	151	4914312	172	9450168	84
4540502	91	4621150	179	4914313	172	9450300	102
4540503	91	4621180	179	4914322	172	9602450	154
4540705	92	4621200	179	4914323	172	9602460	163
4540715	92	4621210	179	4914326	173	9602490	153
4540735	92	4621260	179	4914327	173		
4540805	92	4621410	179	5014861	165		
4540816	94	4621420	179	5014862	165		
4540817	94	4621430	179	5014873	165		
4541100	99	4621440	179	5014877	165		
4541200	99	4621450	179	5014900	165		
4541201	99	4621460	179	5014901	165		
4541202	99	4621470	179	5050090	165		
4541203	25	4621480	179	5050097	165		
4541204	25	4621490	179	5050103	165		
4541205	25	4621500	179	5050106	168		
4545100	89, 90, 92	4621510	179	5050108	165		
4545200	89	4621530	179	5050121	165		
4545300	90, 91, 92	4621540	179	5050123	165		

According to the copyright and the civil law, the reproduction of this catalogue, or any part of this one, by electronic, mechanical methods, by means of photocopies, microfilms, recordings or other, is peremptorily forbidden. Rights are reserved for all countries.

Drawings, specifications and reference numbers may be modified and changed. MTA S.p.A. reserves itself the right, to make changes for technical or quality improvements, without any notice.

The products in this catalogue are intended for industrial and professional use and must be installed and operated by qualified personnel.

The buyer is obliged to inform the end user of the risks associated with the misuse of the products (e.g. electric shock, explosion, etc.).

The seller shall be held exempt from any use that is improper and/or arising also and not only from omitted and/or insufficient information relating to the above products and their use.



To know MTA agents and distributors in the world
please go to www.mta.it/en/sales-organization



PRODUCT CATALOGUE

2022



Ref. 9951220



X-ON Electronics

Largest Supplier of Electrical and Electronic Components

Click to view similar products for [Fuse Holder](#) category:

Click to view products by [MTA](#) manufacturer:

Other Similar products are found below :

[570-290-741P40](#) [570-290-751P40](#) [020417G](#) [020418E](#) [6R30A1B](#) [F30A3S](#) [80910030](#) [8601.2020](#) [G15A2SPQ](#) [9-3557-GP REV A](#) [HDJ-B](#)
[R6J30A3S](#) [HFH-1](#) [RF30A1S](#) [RF30A2B](#) [RF30A3SP](#) [15600-08-10](#) [BK/FHN19G](#) [BK/HHM](#) [BK/HKP-CCHH](#) [BK/HKP-JJ](#) [BK/HTJ-LES-](#)
[FUSE](#) [HMG-241](#) [HTJ-LES-FUSE](#) [C4044-1](#) [2086-1](#) [2193](#) [2602](#) [2650](#) [178.000100](#) [F60A2SQ](#) [FHN31G1](#) [T30A2B](#) [G4PB8](#) [2660](#) [CQ-209V](#)
[HKP-CCHH](#) [R6F30A2S](#) [341001A](#) [345621A](#) [CVRMCC](#) [4202](#) [4407](#) [4408](#) [4413](#) [4423](#) [4532](#) [4537](#) [TSD1404-12](#) [BK/FHN31G1](#)