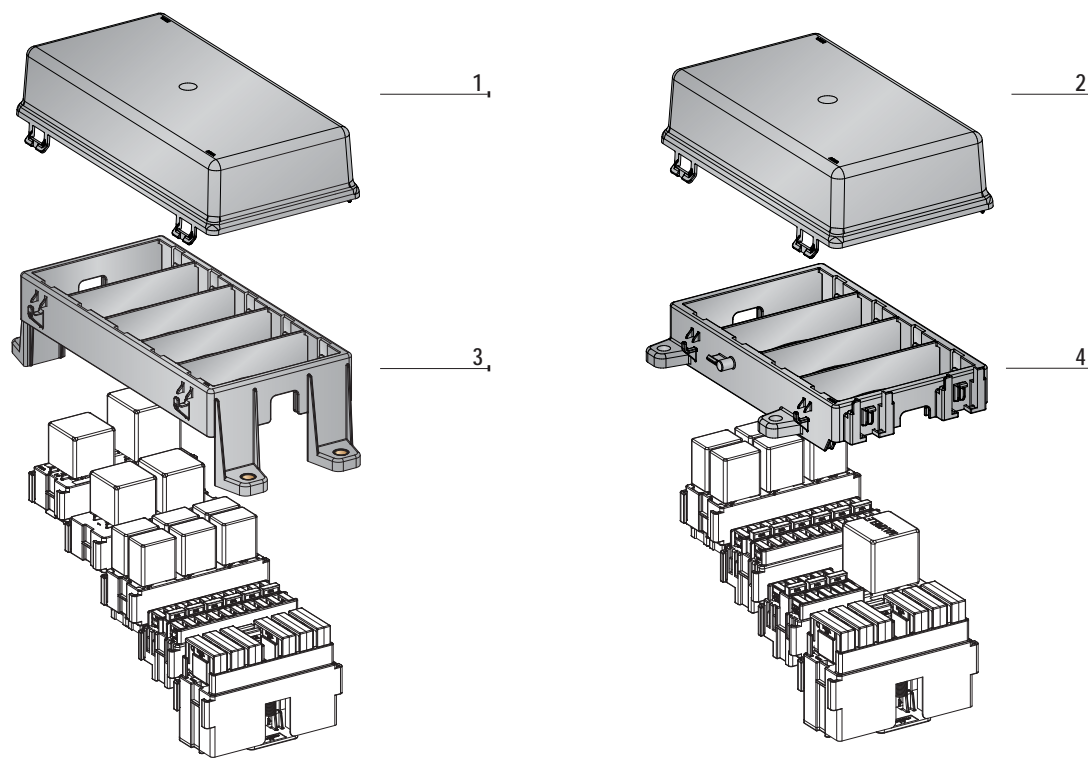
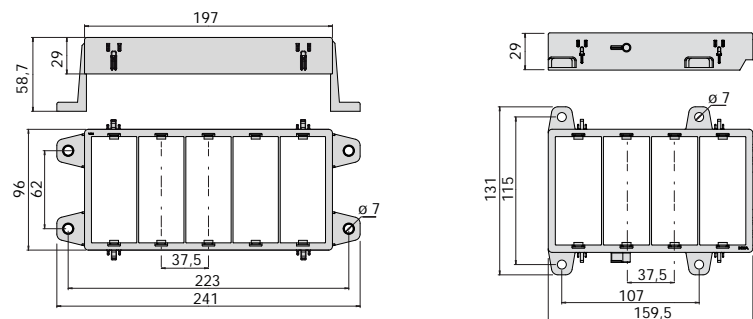


MODULAR FUSE/RELAY HOLDER

# FRAMES & COVERS



IMG	DESCRIPTION	WAY	MATERIAL	COLOUR	P/N BOX	M.O.Q.	P/N BULK	M.O.Q.
1	COVER	5	PP GF30	■ Grey	0101540	1	0301540	70
2	COVER	4	PP GF30	■ Grey	0101530	1	0301530	63
3	FRAME	5	PP GF30	■ Grey	0101450	1	0301450	85
4	FRAME	4	PP GF30	■ Grey	0101520	1	0301520	63



CONNECTIONS AND FIXINGS

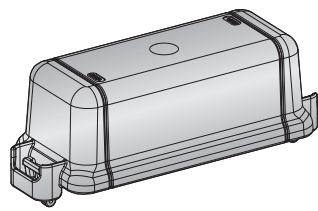


0301630

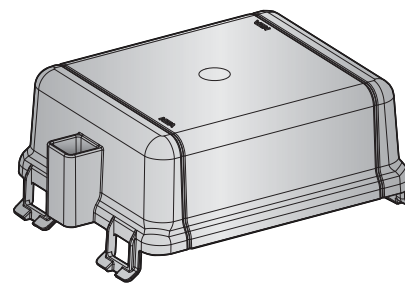
IMG 3+4

MODULAR FUSE/RELAY HOLDER

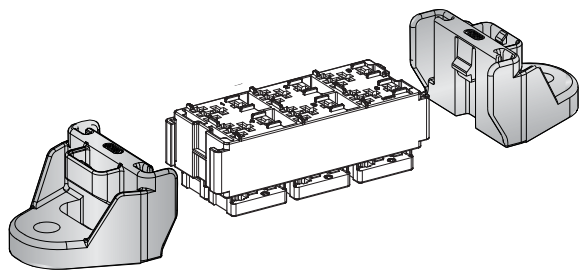
# BRACKETS & COVERS



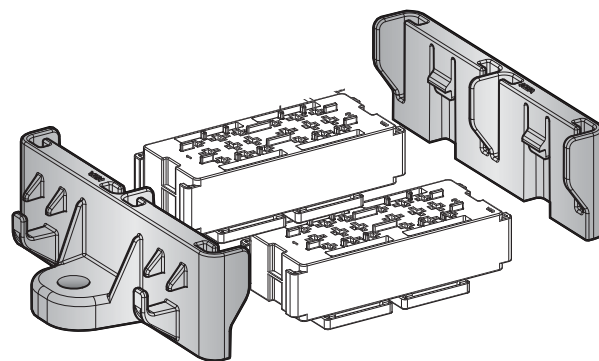
1



2

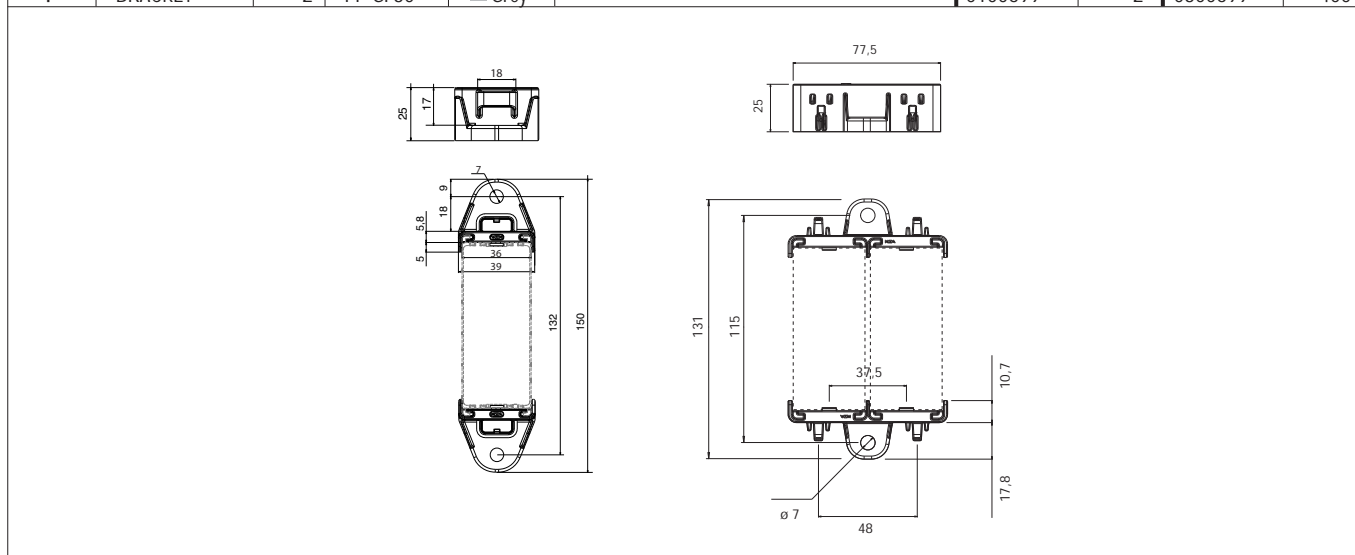


3



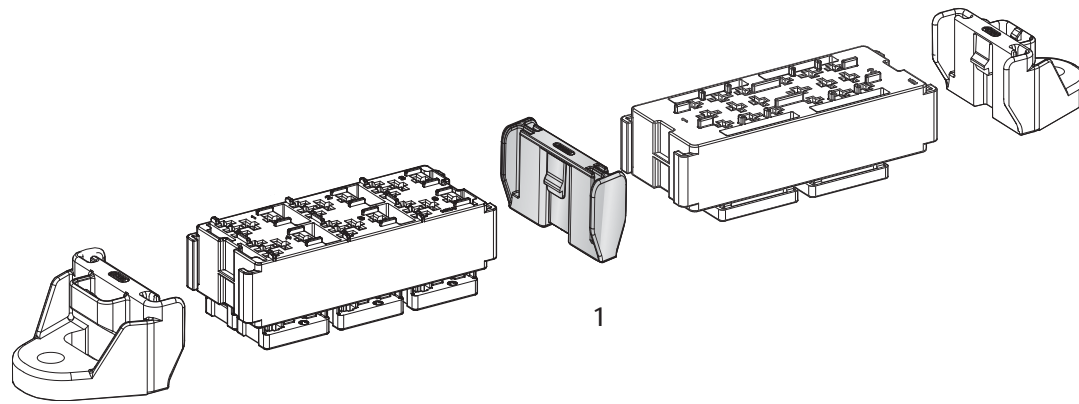
4

IMG	DESCRIPTION	WAY	MATERIAL	COLOUR	P/N BOX	M.O.Q.	P/N BULK	M.O.Q.
1	COVER	1	PP GF30	Grey	0101590	1	0301590	150
2	COVER	2	PP GF30	Grey	0101550	1	0301550	200
3	BRACKET	1	PP GF30	Grey	0101580	2	0301580	600
4	BRACKET	2	PP GF30	Grey	0100699	2	0300699	400

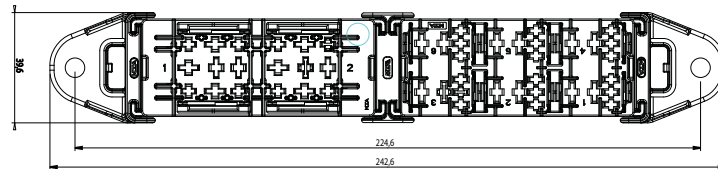


MODULAR FUSE/RELAY HOLDER

# BRACKETS & COVERS

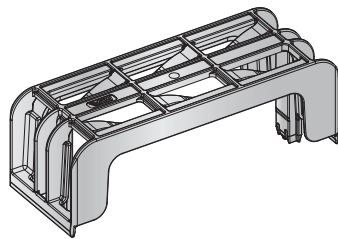


IMG	DESCRIPTION	WAY	MATERIAL	COLOUR		P/N BULK	M.O.Q.
1	BRACKET	1	PP GF30	■ Grey		0301620	250



MODULAR FUSE/RELAY HOLDER

# BRACKETS & COVERS

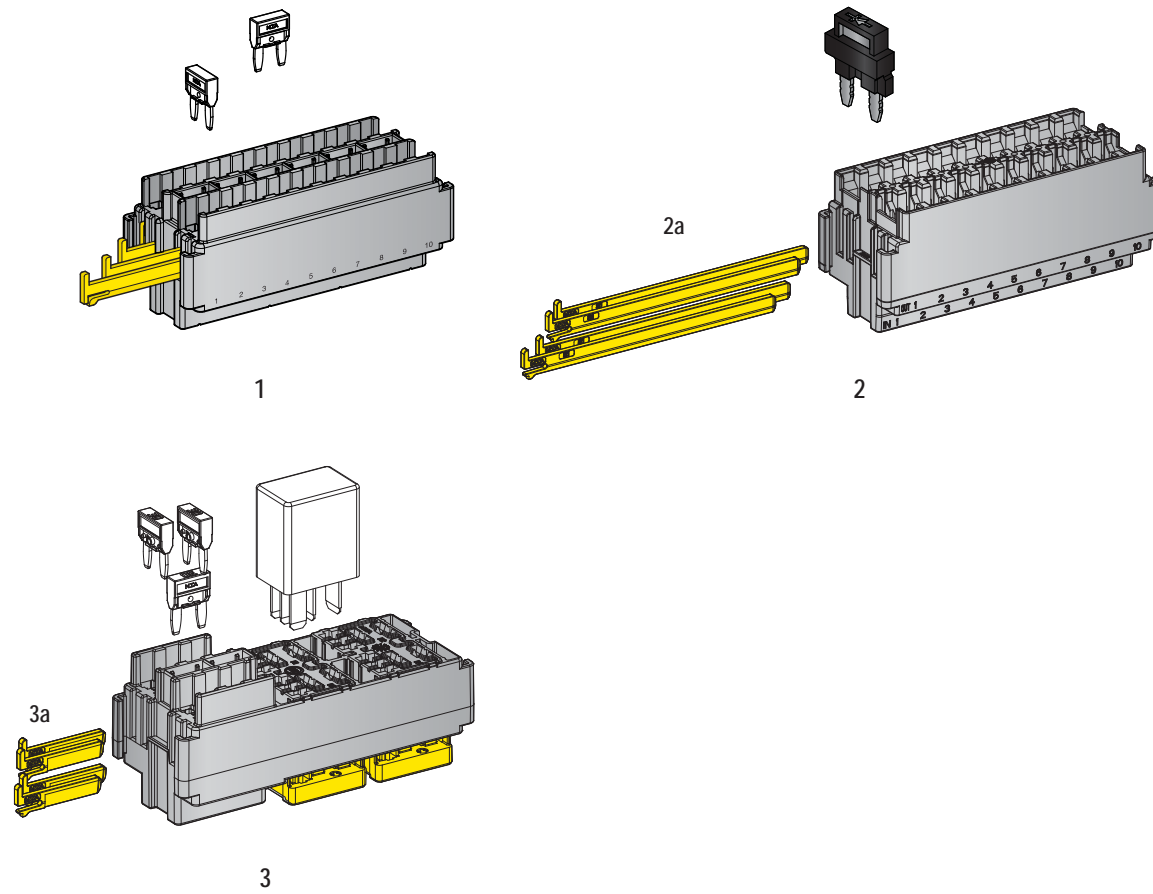


1

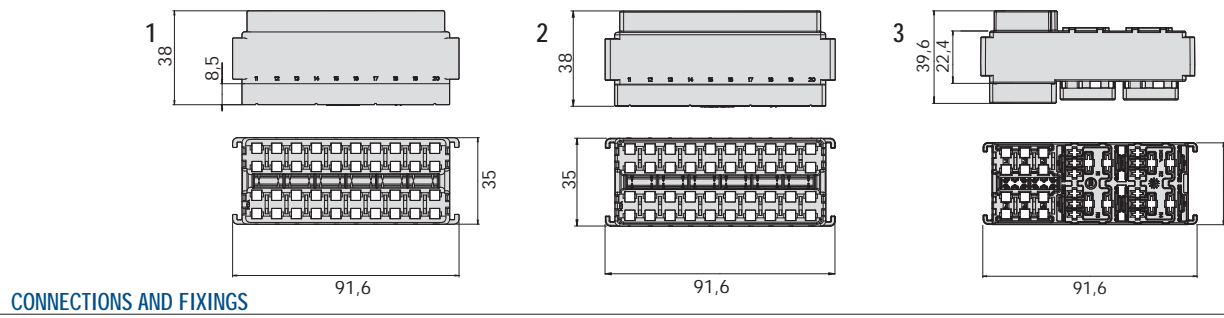
IMG	DESCRIPTION	MATERIAL	COLOUR		P/N BULK	M.O.Q.
1	COVER	PP 66 - GF13	■ Grey		0301630	350

MODULAR FUSE/RELAY HOLDER

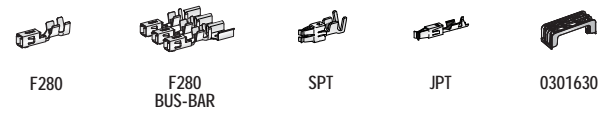
MODULES



IMG	DESCRIPTION	WAY	MATERIAL	COLOUR	P/N BOX	M.O.Q.	P/N BULK	M.O.Q.
1	MINIVAL MODULE	20	PA66 MD25	Grey	0101460	1	0301460	250
2	DIODES/MINIVAL MODULE	20	PA66 MD25	Grey			0301640	230
2a	SECONDARY LOCK		PA66 GF13	Yellow			0300793	7000
3	MINIVAL/MICRORELAY MODULE	6 + 4	PA66 MD25	Grey	0101560	1	0301560	300
3a	SECONDARY LOCK FOR MINIVAL		PA66 GF13	Yellow			0301561	9000



CONNECTIONS AND FIXINGS

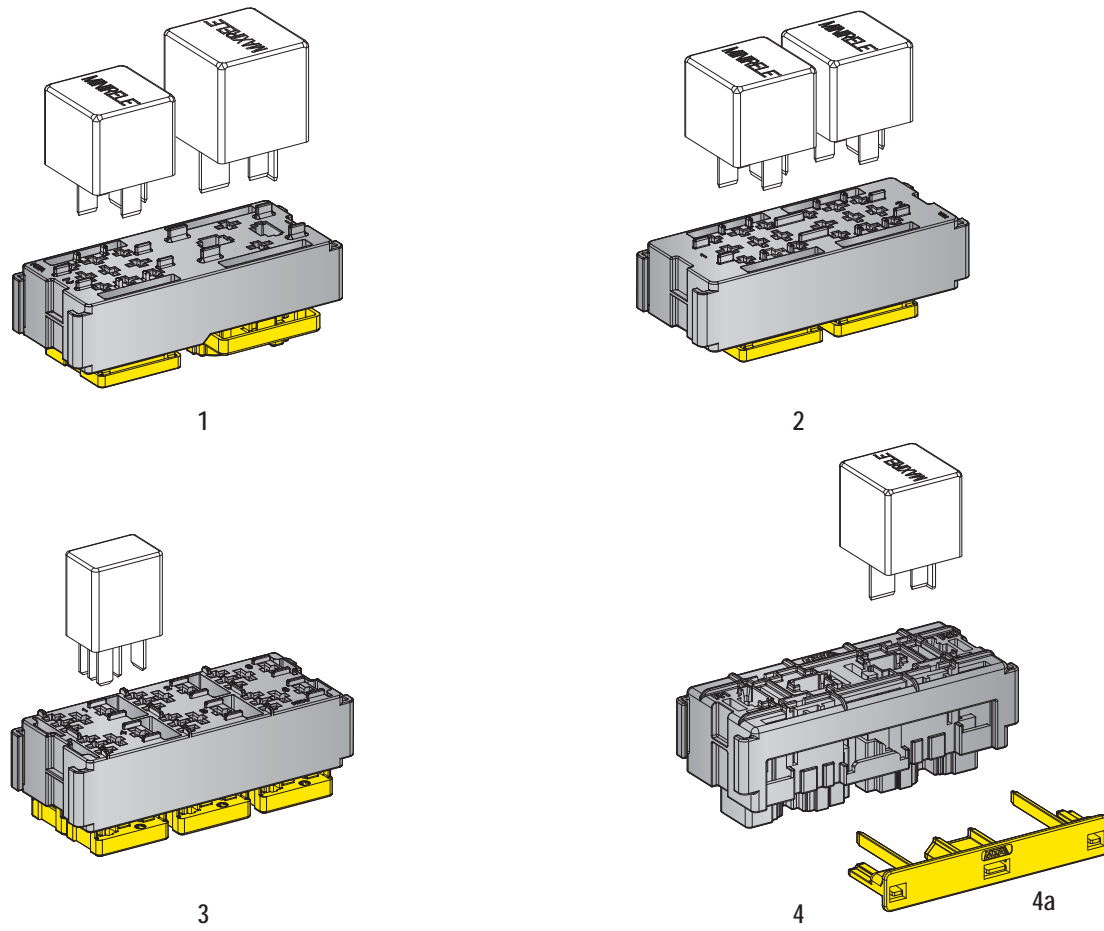


IMG	1+2+3	1+2+3	3	3	1+2+3
-----	-------	-------	---	---	-------

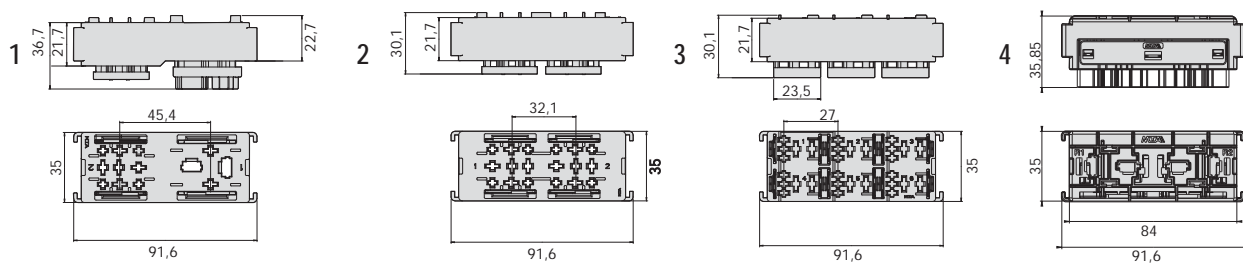


MODULAR FUSE/RELAY HOLDER

MODULES



IMG	DESCRIPTION	WAY	MATERIAL	COLOUR		P/N BOX	M.O.Q.	P/N BULK	M.O.Q.
1	MINI/MAXIRELAY MODULE	1 + 1	PA66 MD25	■ Grey		0101490	1	0301490	300
2	MINIRELAY MODULE	2	PA66 MD25	■ Grey		0101500	1	0301500	300
3	MICRORELAY MODULE	6	PA66 MD25	■ Grey		0101480	1	0301480	300
4	MAXIRELAY MODULE	2	PA66 MD25	■ Grey				0301660	250
4a	SECONDARY LOCK		PA66 GF13	■ Yellow				0301661	TBD



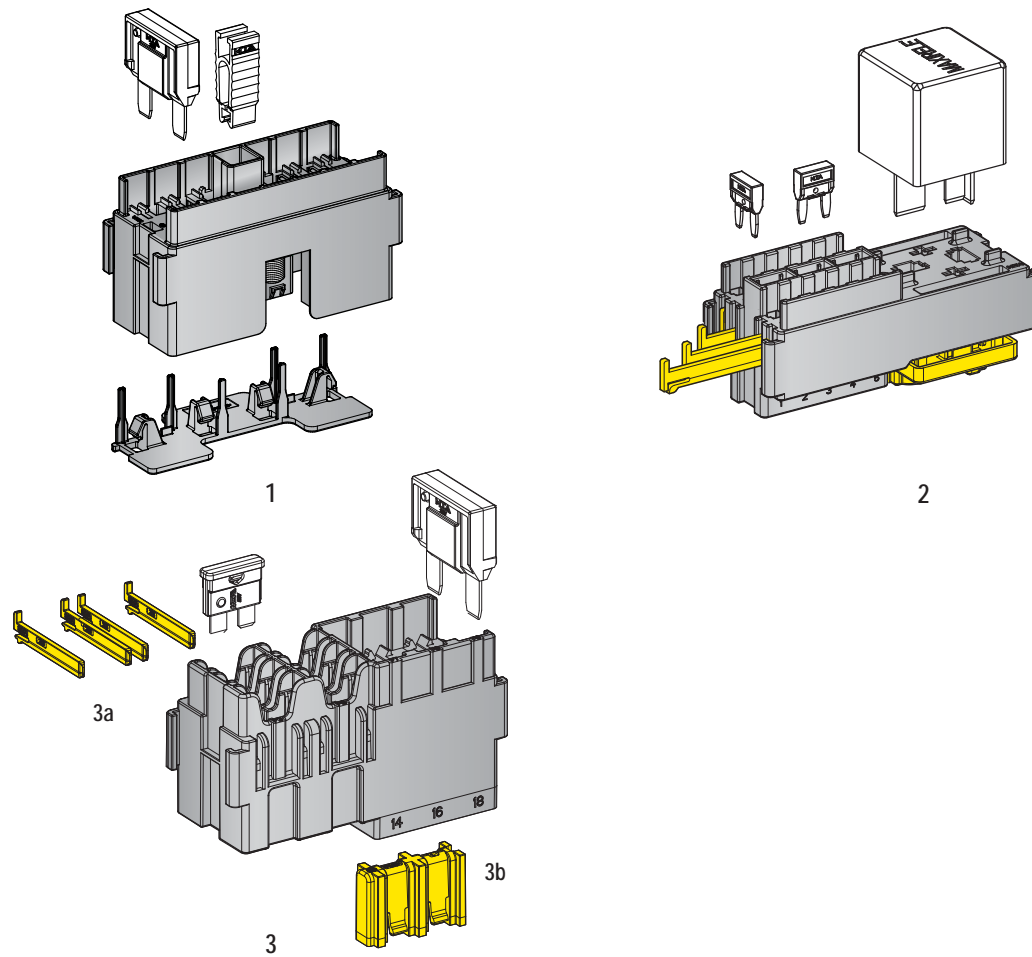
CONNECTIONS AND FIXINGS



IMG	1+2+3	1+2+3	1+4	4	1+2+3+4

MODULAR FUSE/RELAY HOLDER

MODULES



IMG	DESCRIPTION	WAY	MATERIAL	COLOUR	P/N BULK	M.O.Q.	P/N BULK	M.O.Q.
1	MAXIVAL MODULE	6	PBT GF20	Grey	0101470	1	0301470	162
2	MINIVAL/MAXIRELAY MODULE	10 + 1	PA66 MD25	Grey	0101510	1	0301510	300
3	MAXIVAL/UNIVAL MODULE	3 + 6	PA66 MD25	Grey			0301600	80
3a	SECONDARY LOCK FOR UNIVAL		PA66 GF13	Yellow			0301601	6000
3b	SECONDARY LOCK FOR MINIVAL		PA66 GF13	Yellow			0301602	2000

DIMENSIONS		
1	2	3
49.5	38	46.5
37.5	29.5	52.5
16.8		
	35	35
91.6	91.6	91.6

**CONNECTIONS AND FIXINGS**

F800	SPT	F950	F280	F280 BUS-BAR	UNI F630	UNI F630 BUS BAR	0301630
IMG	1+3	2	2	2	3	3	1+2+3

## X-ON Electronics

Largest Supplier of Electrical and Electronic Components

*Click to view similar products for [Fuse Holder](#) category:*

*Click to view products by [MTA](#) manufacturer:*

Other Similar products are found below :

[570-290-741P40](#) [570-290-751P40](#) [0031.1351.01](#) [020417G](#) [020418E](#) [80910030](#) [8601.2020](#) [9-3557-GP REV A](#) [15600-08-10](#) [BK1-HTC-45M](#)  
[BK/FHN19G](#) [BK/HJM-HH](#) [BK/HKP-CCHH](#) [BK/HKP-E-CC](#) [BK/HKP-E-HH](#) [BK/HKP-EH-HH](#) [BK/HKP-U-HH](#) [BK/HTJ-LES-FUSE](#)  
[HMG-241](#) [2086-1](#) [2193](#) [RTMF-SC](#) [2602](#) [2650](#) [FHN31G1](#) [G4PB8](#) [2660](#) [2799](#) [CQ-209V](#) [345621A](#) [3794](#) [4202](#) [4408](#) [4413](#) [4423](#) [4482](#)  
[4532](#) [4537](#) [TSD1404-12](#) [BK/FHN31G1](#) [BK/HKP-H-CC](#) [BK/HKP-JQ-BB](#) [BK/HKP-JQW-BB](#) [BK/HKP-N-HH](#) [BK/HKP-S-CC](#) [BK/HKP-W-](#)  
[BBHH](#) [BP/HHS](#) [BPHHU](#) [55900008011](#) [C1933](#)