

The **UPA-100 Power Alert** reduces the risk of **electrical arc flash** by pre-verifying the electrical isolation from outside of a control panel. Hard wired to the circuit breaker or main disconnect, the UPA flashes whenever voltage is present. Engineered with **redundant circuitry**, the Power Alert is powered by the same voltage that it indicates.

### OPERATION

The eight detector UPA-100 visually alerts to the presence of dangerous AC or DC (Stored Energy) potentials occurring between any combination of the four monitored input lines (L1, L2, L3, GND). Two LED indicators are assigned to each input line and are designated “+” and “-”. For each input line carrying an AC potential (bi-polar), both the “+” and “-” LEDs will be active. A DC or Stored Energy potential will illuminate the “+” LED for the positive line and the “-” LED for the negative line.

### OSHA 1910.147 THE CONTROL OF HAZARDOUS ENERGY (LOCKOUT/TAGOUT)

Following the application of lockout or tagout devices to energy isolating devices, all potentially hazardous stored or residual energy shall be relieved, disconnected, restrained, and otherwise rendered safe. (d)(5)(ii)

If there is a possibility of reaccumulation of stored energy to a hazardous level, verification of isolation shall be continued until the servicing or maintenance is completed, or until the possibility of such accumulation no longer exists. (d)(6)

“Verification of Isolation.” Prior to starting work on machines or equipment that have been locked out or tagged out, the authorized employee shall verify that isolation and de-energization of the machine or equipment have been accomplished.

### SPECIFICATIONS

<b>OPERATIONAL RANGE</b>	AC Single or 3-Phase	40 to 600 VAC, 50/60/400 Hz, (LINE-TO-LINE or LINE-TO-GND)
	DC or Stored Energy	30 to 1000 VDC, (LINE-TO-LINE or LINE-TO-GND)
<b>MAXIMUM RATED VOLTAGE</b>	750 VAC/1000 VDC (LINE-TO-LINE or LINE-TO-GND)	
<b>DETECTION THRESHOLDS</b>	29 VAC 3-Phase, 40 VAC SINGLE-Phase, 27 VDC (TYP Cutoff)	
<b>POWER CONSUMPTION</b>	1.2 Watts @ 750 VAC (Approximately)	
<b>TEMPERATURE RATING</b>	Operate	-4° to 131°F (-20° to +55°C)
	Storage	-40° to 185°F (-40° to +85°C)
<b>ENCLOSURE</b>	NEMA 4X 105°C PVC, Totally Encapsulated for Environment Protection	
<b>TERMINATIONS</b>	(4) 8 ft, 18 AWG 1000V, UL-1452	
<b>WEIGHT</b>	9 oz.	

### INDICATOR FLASH RATES (L1, L2, L3, GND)

3- Phase Line-To-Line (VAC) Flashes/Sec (Typical)	<29	30	120	240	480	600	750
DC or Stored Energy (VDC) Flashes/Sec (Typical)	<27	30	48	110	300	600	1000

### GND DETECTOR THRESHOLDS (LEAKAGE ANY PHASE-TO-GROUND)

3- Phase Line-To-Line (VAC)	30	120	240	480	750
L1, L2, or L3 To Ground Continuity (OHMS)	2M	2M	3M	5M	7M
Detector Included Fault Current (µA)	7	26	38	60	67

### DETECTOR INCLUDED FAULT CURRENT (PHASE-TO-GROUND SHORT)

3- Phase Line-To-Line (VAC)	30	120	240	480	750
0 OHM Phase-To-Ground Current (µA)	28	108	219	455	730



### Universal Power Alert

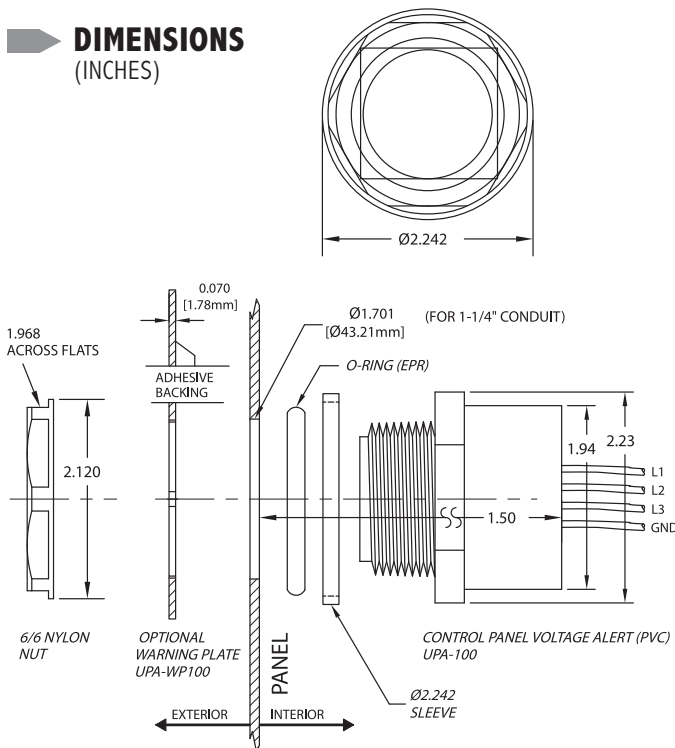
- Detects Single or 3-Phase AC & DC Voltage or Stored Energy
- Redundant Circuitry
- Verification of Zero Energy in a Panel
- Fits 1-1/4" Conduit Knock-Out

### ORDERING INFORMATION

MODEL NUMBER	DESCRIPTION
UPA-100	Universal Power Alert
UPA-100S	Universal Power Alert Solid-ON Red
Accessories UPA-WP100	ANSI WARNING Plate

The UPA-100 Series is UL Listed under UL File Number E55826. UPA-100C UNIVERSAL POWER ALERT CAT III CAT IV

### DIMENSIONS (INCHES)



## X-ON Electronics

Largest Supplier of Electrical and Electronic Components

*Click to view similar products for [Test Accessories - Other](#) category:*

*Click to view products by [Mueller](#) manufacturer:*

Other Similar products are found below :

[AO1026](#) [AO1035](#) [AO1051](#) [AO1059](#) [149116](#) [149118](#) [RS40](#) [RS41](#) [AO1030](#) [AO1032](#) [AO1036](#) [AO1058](#) [4742](#) [KTS288540](#) [11-32-2733](#)  
[00415](#) [00163](#) [PACC-ZD005](#) [700M20TH](#) [628824000](#) [MPT-VF](#) [B3](#) [15010A0A0100M0](#) [B3](#) [15050A0D01A2M0](#) [B3](#) [15060A0D0100M0](#) [98-](#)  
[CAL020](#) [MO-SCREEN](#) [VDV500-705](#) [68-020-01P](#) [CVRF02](#) [CPAK8](#) [RT-ZA19](#) [LCR-OPT-02](#) [1-1437358-1](#) [DME D110 T1](#) [LMLH 50](#)  
[FLUKE PM9082/001](#) [85392-12](#) [ST18/SMAM/SMAM/72](#) [HO720](#) [45025](#) [45028](#) [CT2300](#) [CC545](#) [VT-1000](#) [CT3041](#) [VS-AVT-CABLE-08](#)  
[6172A](#) [68-023-01](#) [67-023-01](#) [67-012-01](#)