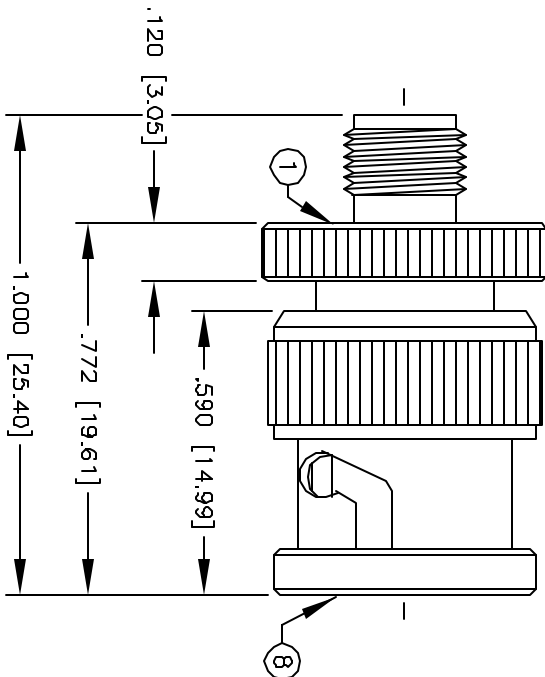


© COPYRIGHT 1997 BY SPC TECHNOLOGY. ALL RIGHTS RESERVED. NO PORTION OF THIS PUBLICATION, WHETHER IN WHOLE OR IN PART CAN BE REPRODUCED WITHOUT THE EXPRESS WRITTEN CONSENT OF SPC TECHNOLOGY.

REVISIONS			DOC. NO.	SPC-FD05, Total Pages: 2	
DOP #	REV	DESCRIPTION	Effective	DATE	DATE
428	B	CHANGE ELECTRONIC FILE NAME	3/3/97, DOP No: 103	2/12/98	2/17/98
668	C	CORRECT TITLE		11/16/98	11/17/98



**SPECIFICATIONS:**

IMPEDANCE: 50 OHMS  
 WORKING VOLTAGE: 335 VRMS @ SEA LEVEL  
 FREQUENCY RANGE: 0-4 GHz

ITEM	DESCRIPTION	QTY	MATERIAL	FINISH
8	SHELL	1	BRASS	GOLD
7	WASHER	1	BRASS	GOLD
6	SPRING	1	SK-5	NONE
5	SPLIT LOCK WASHER	1	BRASS	GOLD
4	GASKET	1	S.I. RUBBER	BRIGHT ORANGE
3	DIELECTRIC	1	TEFLON	NONE
2	CONTACT	1	PHOSPHOR BRONZE	GOLD
1	BODY	1	BRASS	GOLD

**DISCLAIMER**  
 ALL STATEMENTS AND TECHNICAL INFORMATION CONTAINED HEREIN ARE BASED UPON INFORMATION AND/OR TESTS WE BELIEVE TO BE ACCURATE AND RELIABLE. SINCE CONDITIONS OF USE ARE BEYOND OUR CONTROL, THE USER SHALL DETERMINE THE SUITABILITY OF THE PRODUCT FOR THE INTENDED USE AND ASSUME ALL RISK AND LIABILITY WHATSOEVER IN CONNECTION THEREWITH.

DIMENSIONS ARE FOR REFERENCE PURPOSES ONLY.

DRAWN BY:	DATE:
DANIEL CAREY	4/2/97
CHECKED BY:	DATE:
JOHN COLE	4/8/97
APPROVED BY:	DATE:
BRETT BRAATZ	4/16/97

DRAWING TITLE:		SMA FEMALE TO BNC MALE ADAPTER	
SIZE	DWG. NO.	CAD FILE	REV
A	8589-0859	16N2741.DWG	C
SCALE:	NTS	U.O.M.: INCHES [mm]	SHEET: 1 OF 1



## X-ON Electronics

Largest Supplier of Electrical and Electronic Components

*Click to view similar products for [Multicomp](#) manufacturer:*

Other Similar products are found below :

[MCWW25XR220FTL](#) [SPC19952](#) [CR-MS-4](#) [MC23303](#) [1710467](#) [LB324P](#) [SPC19794-RH](#) [MCRF0008](#) [RBH3-16RBVB](#) [MC001599](#)  
[OEM203N-240A](#) [MC19678](#) [SPC15268](#) [SPC20045](#) [SPC20494](#) [154-0140](#) [MCPIN-T30L-001](#) [MCPIP-T30L-001](#) [105-0020](#) [MCPIP-T5S-001](#)  
[MC001616](#) [082-0323F](#) [MC011473](#) [MC002698](#) [MCFRBTN2400](#) [MCFRBTN2401](#) [RA01A12BSFMSOX](#) [MCVT600](#) [146-0043](#) [082-0043](#)  
[LBDI633P](#) [12.99.1150](#) [MC000894](#) [MC21063](#) [MC14665](#) [146-0023](#) [187-0017](#) [MC23725](#) [082-0028F3](#) [082-0002F4](#) [NSYPPA4G](#) [SPC24553](#)  
[SPC21178](#) [MC001625](#) [082-0322F](#) [MC011465](#) [MCWF08R2940BTL](#) [15T7C-130V](#) [MC0063W06031215R](#) [069-0002](#)