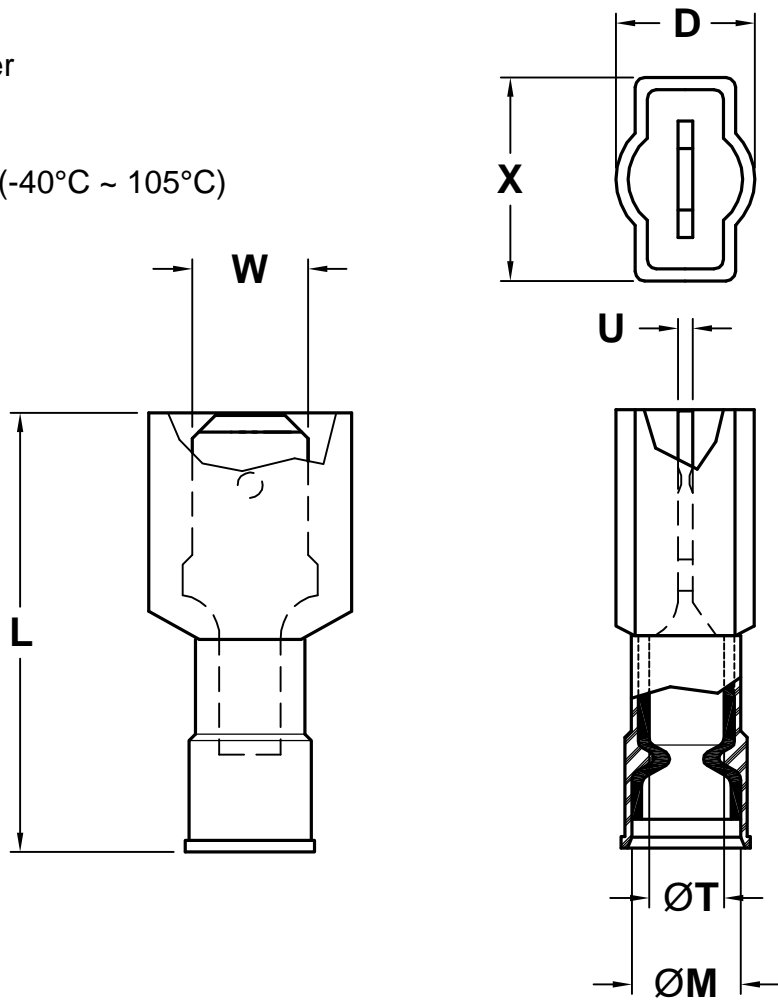


ALL RIGHTS RESERVED. NO PORTION OF THIS PUBLICATION, WHETHER IN WHOLE OR IN PART CAN BE REPRODUCED WITHOUT THE EXPRESS WRITTEN CONSENT OF SPC TECHNOLOGY.

REVISIONS			DOC. NO. SPC-F004 * Effective: 12/21/98 * DCP No: 680					
DCP #	REV	DESCRIPTION	DRAWN	DATE	CHECKD	DATE	APPRVD	DATE
1079	B	UL No. Corrected	JWM	12/6/00	JC	12/7/00	JC	12/7/00
1199	C	Redrawn & Renamed..was CMS-DF-***	JWM	11/13/01	JC	11/26/01	JC	11/26/01

NOTES:

1. Material: Electro-tin Plated copper
w/nylon 6/6 full sleeve
2. Flammability: UL94V-2
3. Operating Temp: -40°F to 221°F (-40°C ~ 105°C)
4. Voltage Rating: 600 V



LISTED



OSHA
Acceptable

SPC PART NUMBER	WIRE RANGE (AWG)	MALE TAB WIDTH (W) X THICKNESS	L	X	D	B	T	M	U	COLOR
CMS-DF-1025	12 - 10	.250 x .032	1.05	.47	.39	.42	.150	.250	.032	YELLOW
CMS-DF-1418	16 - 14	.187 x .020	.87	.37	.30	.24	.080	.145	.020	BLUE
CMS-DF-1425	16 - 14	.250 x .032	.98	.44	.30	.25	.085	.170	.032	BLUE
CMS-DF-1818	22 - 18	.187 x .020	.87	.37	.30	.24	.080	.145	.020	RED
CMS-DF-1825	22 - 18	.250 x .032	.98	.44	.30	.25	.065	.145	.032	RED

SPC-F004.DWG

DISCLAIMER:
ALL STATEMENTS AND TECHNICAL INFORMATION CONTAINED HEREIN ARE BASED UPON INFORMATION AND/OR TESTS WE BELIEVE TO BE ACCURATE AND RELIABLE. SINCE CONDITIONS OF USE ARE BEYOND OUR CONTROL, THE USER SHALL DETERMINE THE SUITABILITY OF THE PRODUCT FOR THE INTENDED USE AND ASSUME ALL RISK AND LIABILITY WHATSOEVER IN CONNECTION THEREWITH.



SPC TECHNOLOGY

Tolerances: Unless Otherwise Specified: .X = ±.015 .XX = ±.010 .XXX = ±.005	DRAWN BY:	DATE:	DRAWING TITLE:			
	JC	3/11/91	Fully Nylon Insulated Male Disconnects w/Insulation Grip			
	CHECKED BY:	DATE:	SIZE	DWG. NO.	ELECTRONIC FILE	REV
	JOHN COLE	12/12/91	A	TA-450	TA-450.dwg	C
APPROVED BY:	DATE:	SCALE: NTS		U.O.M.: INCHES [mm]		SHEET: 1 OF 1
JL	12/12/91					

X-ON Electronics

Largest Supplier of Electrical and Electronic Components

Click to view similar products for [Terminals](#) category:

Click to view products by [Multicomp](#) manufacturer:

Other Similar products are found below :

[00-054007-01074-6](#) [00-054007-70206-1](#) [00-054007-70210-8](#) [00-054007-70217-7](#) [00-054007-70228-3](#) [00-054007-70256-6](#) [00-054007-70316-7](#) [00-054007-49560-4](#) [00-054007-70209-2](#) [00-054007-70231-3](#) [00-054007-70241-2](#) [00-054007-70242-9](#) [00-054007-70246-7](#) [00-054007-70263-4](#) [00-054007-70288-7](#) [00-054007-70290-0](#) [00-054007-70300-6](#) [00-054007-70304-4](#) [01-2900-1-04412](#) [00581P0075](#) [600TS-10](#) [605601-1](#) [60598-1-CUT-TAPE](#) [60617-1-C](#) [61314-6-C](#) [61810-3](#) [62149-1](#) [626-0194](#) [62-SP](#) [63-S](#) [M55155/059I03](#) [M55155/079C01](#) [M55155/099B03](#) [M55155/099H02](#) [M55155/109H01](#) [M55155/12XH05](#) [M55155/29-5S](#) [M55155/29XJ08](#) [M55155/30-6S](#) [M55155/30-9S](#) [M55155/30XI09](#) [M6-14RSX](#) [696683-1](#) [696861-1](#) [696999-1](#) [M86700006](#) [D18-110B-C](#) [D18-110B-M](#) [701-1936](#) [701-1955](#)