

MCF03C Series

Antisurge (T) Ceramic Fuses



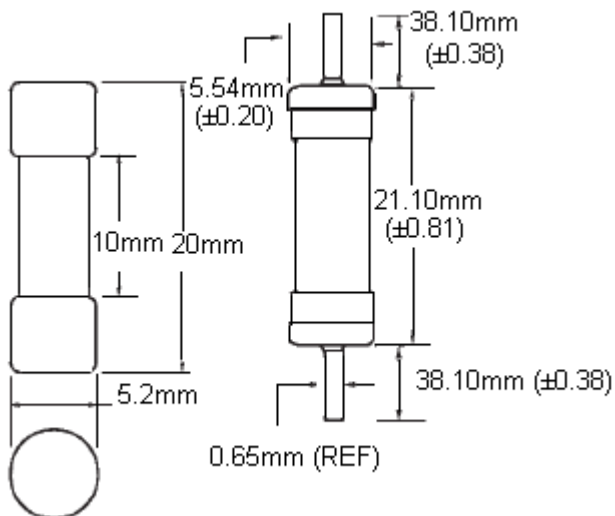
HRC Fuse



Features:

- Time delay, high breaking capacity.
- Ceramic tube, nickel plated brass endcap construction.
- Optional axial leads are .032" x 1.5" copper tinned.
- Designed to IEC 60127-2 (1A-6.3A).
- RoHS Compliant version available (-R option).
- 20 x 5mm Fuses.

Dimensions



Ratings above 6.3A have a 0.8mm diameter lead

Electrical Characteristics										
In	1.5In		2.1In		2.75In		4In		10In	
	minimum	maximum	minimum	maximum	minimum	maximum	minimum	maximum	minimum	maximum
	(Seconds)		(Seconds)		(Seconds)		(Seconds)		(Seconds)	
<1A	3600	1800	0.25	80	0.05	5	0.005	0.055		
1A - 3.15A	3600	1800	1	80	0.095	5	0.01	0.1		
4A - 10A	3600	1800	1	80	0.15	5	0.02	0.1		

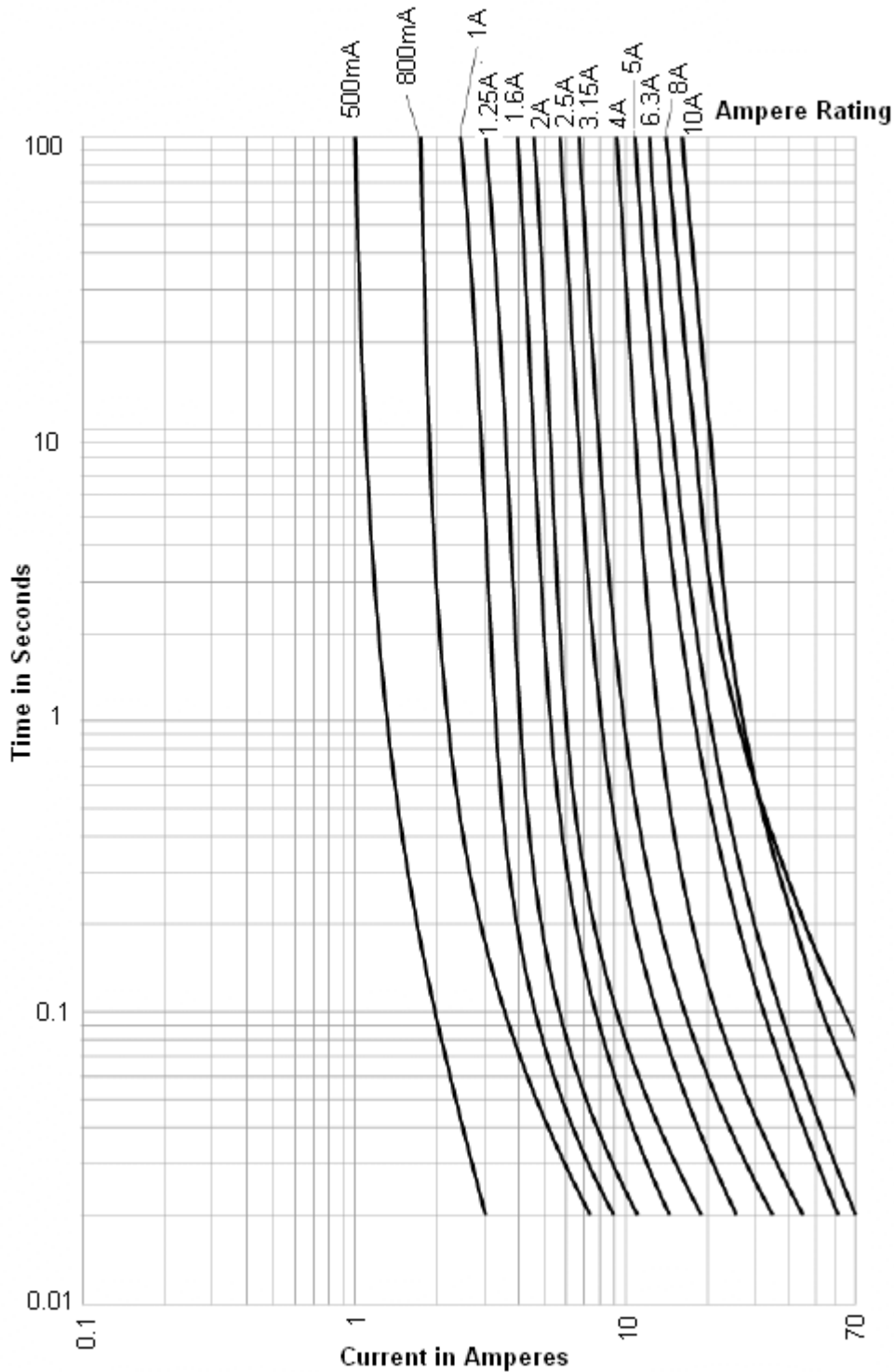


MCF03C Series

Antisurge (T) Ceramic Fuses



Time - Current Characteristics Curve - Total Clear



MCF03C Series

Antisurge (T) Ceramic Fuses



Specifications

Voltage Rating (V ac)	Interrupting Rating at Rated Voltage (50Hz) AC (Amps)	Typical DC Cold Resistance (ohms)*	Typical Melting I ² t (A ² Sec) AC**	Typical Voltage Drop (mV)***	Part Number
250	1500	0.015	52	85	MCF03C-4A
		0.006	397	72	MCF03C-10A
		-	-	-	MCF03C-500MA
		0.007	311	75	MCF03C-8A
		0.011	98	80	MCF03C-5A
		0.022	27	90	MCF03C-3.15A
		0.03	14	100	MCF03C-2.5A
		0.041	7.6	110	MCF03C-2A
		0.061	3.5	130	MCF03C-1.6A
		0.093	1.6	150	MCF03C-1.25A
		0.117	0.74	170	MCF03C-1A
		0.243	-	-	MCF03C-800MA
		-	-	-	MCF03C-630MA
		0.008	197	75	MCF03C-6.3A

* DC Cold Resistance (Measured at <10% of rated current).

** Typical Melting I²t (I²t was measured at listed interrupting rating and rated voltage).

*** Typical Voltage Drop (Voltage drop was measured at 20°C ambient temperature at rated current).

Part Number Explanation

MCF03C

Series

4A

Rating

Rating : 500mA, 630mA, 800mA, 1A, 1.25A, 1.6A, 2A, 2.5A, 3.15A, 4A, 5A, 6.3A, 8A and 10A.
Where mA = milliampere, A = Ampere.



X-ON Electronics

Largest Supplier of Electrical and Electronic Components

Click to view similar products for [Cartridge Fuses](#) category:

Click to view products by [Multicomp](#) manufacturer:

Other Similar products are found below :

[5ST250MA-R](#) [5TT3A-R](#) [5TT8A-R](#) [MBO-20](#) [MDM-4/10](#) [MDQ-V-15/100](#) [MDX-1-6/10](#) [MDX-2](#) [MDX-3-2/10](#) [MDX-6-1/4](#) [FLSR-15](#)
[FLSR-30](#) [FRS-1-1/4](#) [FRS-1-6/10](#) [FRS-4/10](#) [H362003](#) [ABC-2](#) [1/2A](#) [12C10X38GI](#) [AGC-15EX](#) [AGC-V-3-12-R](#) [AGY-50](#) [15019-G](#) [MSL-1-](#)
[1/2](#) [MSL-1-1/4](#) [MSL-1/2](#) [MSL-1/4](#) [MSL-3](#) [MSL-3/4](#) [MSL-4](#) [MSL-5](#) [BK1/C436-2A](#) [BK1-S501-3-15-R](#) [BK1-S505-1-R](#) [BK/C515S-250-R](#)
[1C10X38AM](#) [S501-V-10A](#) [301030](#) [303030](#) [FLA10](#) [FLA-4/10](#) [FLNR-5](#) [20.0M6.3X32F](#) [301001](#) [301020](#) [311008](#) [31301.5H-XP](#) [313.25](#)
[313.75](#) [334006](#)