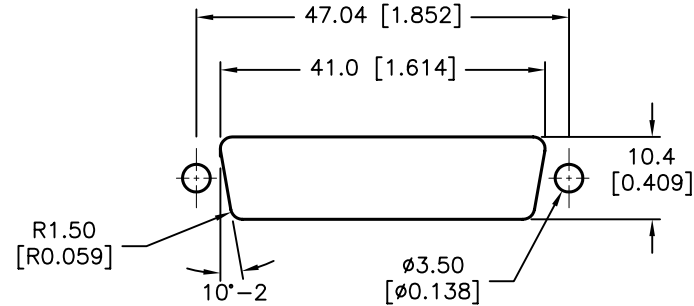
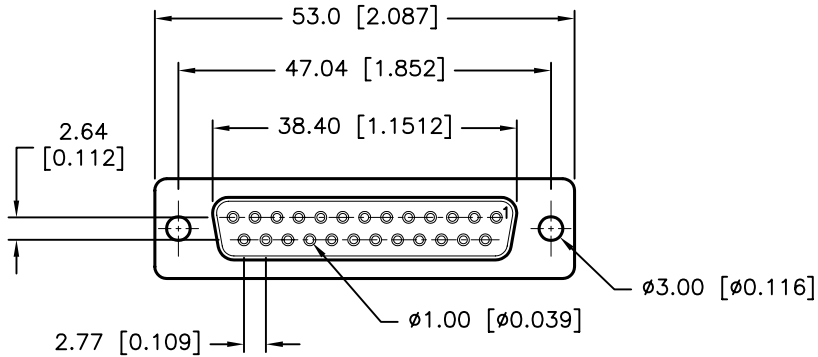
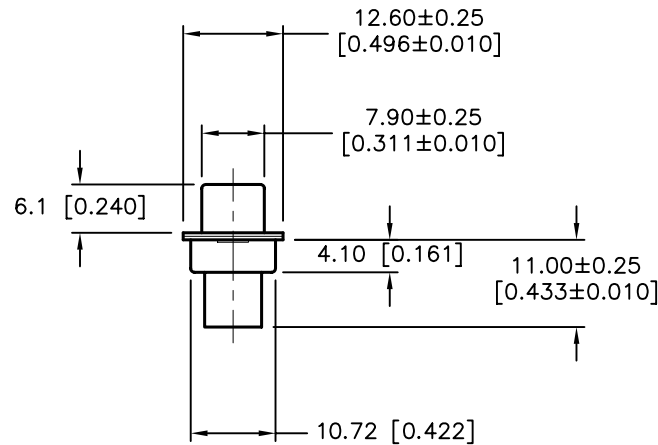
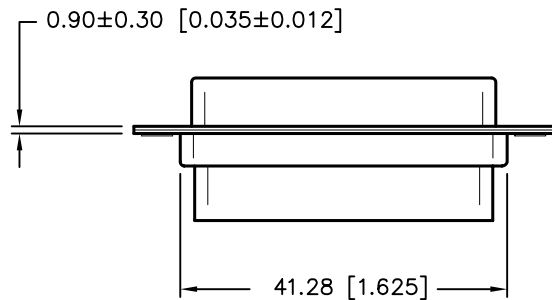


REVISIONS

DCP #	REV	DESCRIPTION	DRAWN	DATE	CHECKD	DATE	APPRVD	DATE
1876	A	RELEASED	EO	07/25/06	SA	07/25/06	HO	07/25/06



PANEL CUTOUT



SPECIFICATIONS:

Shell: Steel, Zinc Yellow Chromated
 Insulator: UL 94V-0 Rated, Black
 1. PBT+30% Fiber Glass
 2. Nylon-66
 Current Rating: 5 Amps
 Contact Resistance: 15 miliohms Max
 Insulator Resistance: 1000 Megohms Min
 Voltage: 500 VAC for 1 Minute
 Temperature: -50°C to +100°C

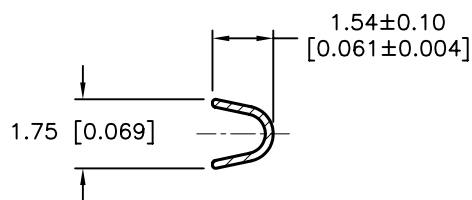
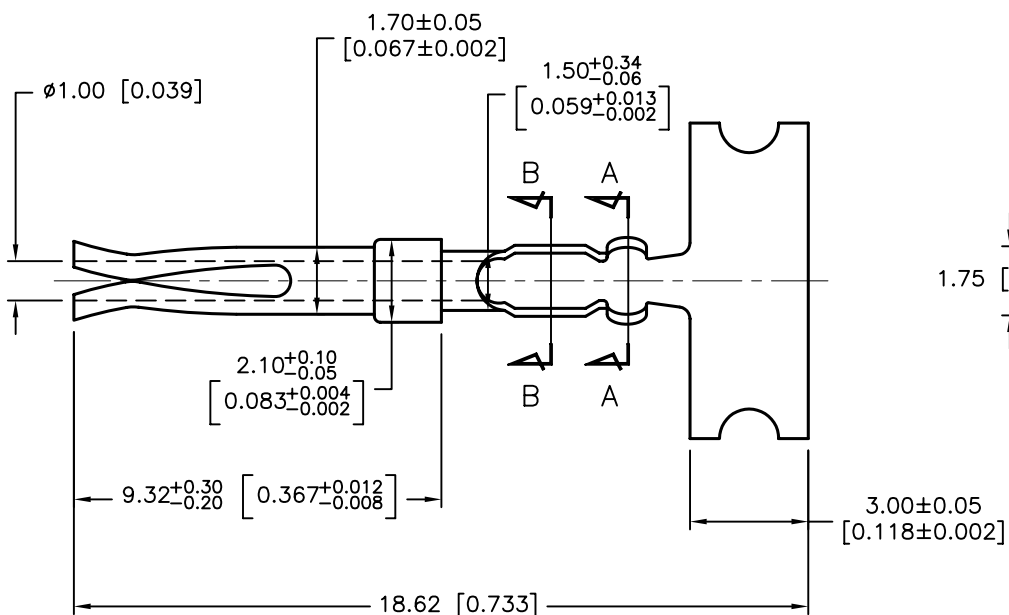
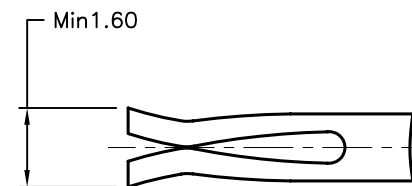
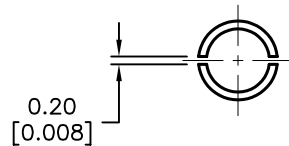
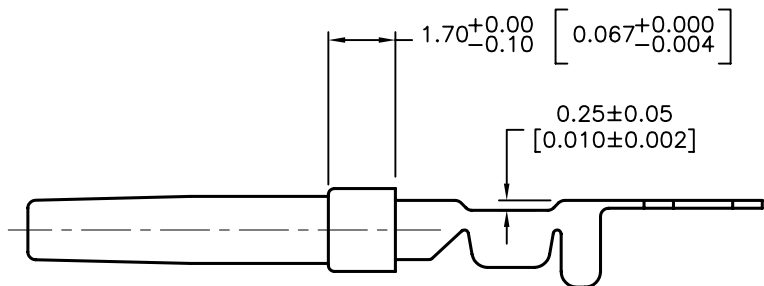
DISCLAIMER:
 ALL STATEMENTS AND TECHNICAL INFORMATION CONTAINED HEREIN ARE BASED UPON INFORMATION AND/OR TESTS WE BELIEVE TO BE ACCURATE AND RELIABLE. SINCE CONDITIONS OF USE ARE BEYOND OUR CONTROL, THE USER SHALL DETERMINE THE SUITABILITY OF THE PRODUCT FOR THE INTENDED USE AND ASSUME ALL RISK AND LIABILITY WHATSOEVER IN CONNECTION THEREWITH.

TOLERANCES:

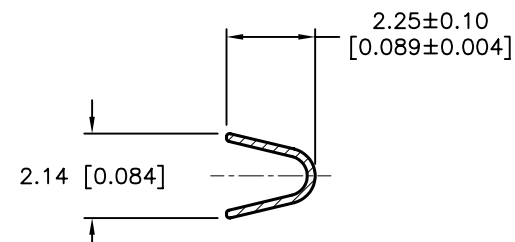
Unless Otherwise Specified
 .X ±0.35 [0.014]
 .XX ±0.15 [0.006]

DRAWN BY:	DATE:
EKLAS ODISH	07/25/06
CHECKED BY:	DATE:
SAMI ALNADI	07/25/06
APPROVED BY:	DATE:
HISHAM ODISH	07/25/06

DRAWING TITLE: 25 Pin Crimp Type D-Sub Socket			
SIZE	DWG. NO.	ELECTRONIC FILE	REV
A	SPC15209	79K4811.DWG	A
SCALE: NTS	U.O.M.: mm [INCHES]	SHEET: 1 OF 2	



SECTION: B-B



SECTION: A-A

SPECIFICATIONS

Contact: Phosphor-Bronze, Stamped Gold-Plated on Contact Area
 Nickel-Plated on Crimp-Area

X-ON Electronics

Largest Supplier of Electrical and Electronic Components

Click to view similar products for [Multicomp](#) manufacturer:

Other Similar products are found below :

[001-0001](#) [001-0003](#) [001-0006](#) [001-0014](#) [001-0017](#) [001-0020](#) [001-0021](#) [001-0023](#) [001-0028](#) [001-0029](#) [001-0030](#) [001-0031](#) [001-0035](#) [001-0037](#) [001-0041](#) [001-0076](#) [003-0001](#) [003-0002](#) [003-0003](#) [003-0011](#) [003-0012](#) [003-0013](#) [003-0015](#) [003-0039](#) [004-0012F](#) [004-0013F](#) [004-0014F](#) [004-0015F](#) [004-0016F](#) [004-0017F](#) [004-0018F](#) [006-0001F](#) [006-0012F](#) [006-0013F](#) [006-0045](#) [010-0001](#) [010-0001F](#) [010-0005](#) [010-0005F](#) [010-0011](#) [010-0014](#) [010-0024](#) [010-0024F](#) [010-0029](#) [010-0041](#) [010-0041F](#) [010-0042F3](#) [010-0055](#) [010-0055F](#) [010-0060](#)