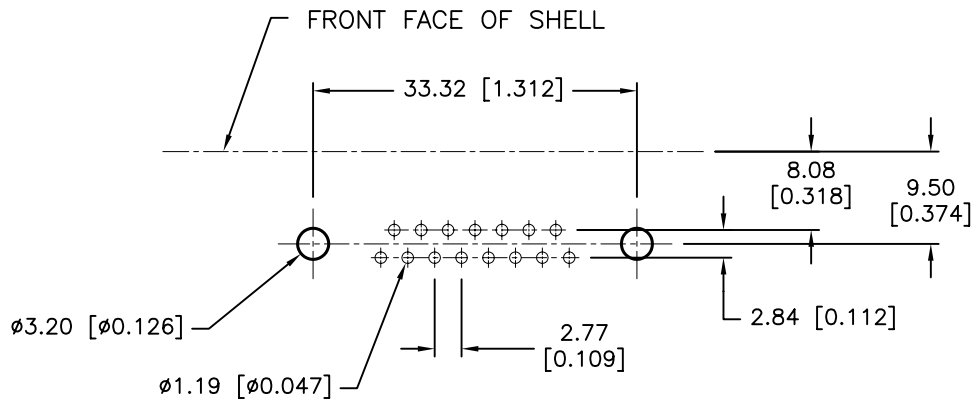
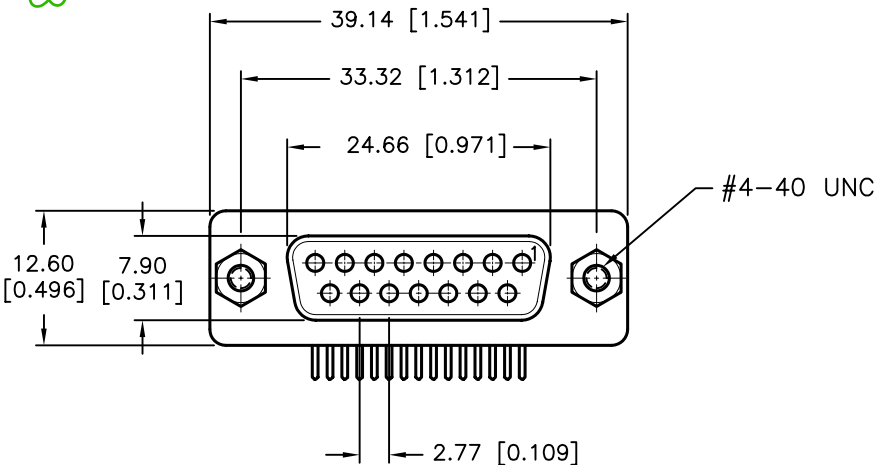


REVISIONS

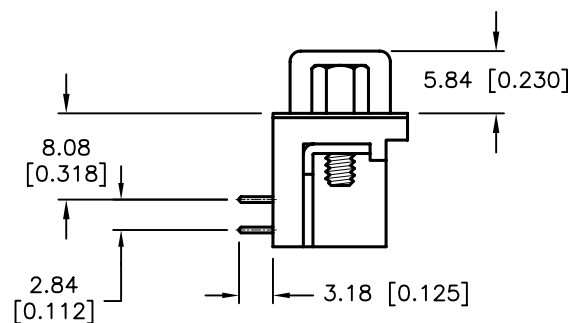
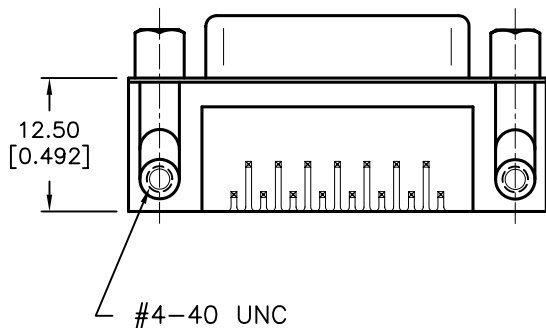
DCP #	REV	DESCRIPTION	DRAWN	DATE	CHECKD	DATE	APPRVD	DATE
1876	A	RELEASED	EO	07/25/06	SA	07/25/06	HO	07/25/06



RoHS Compliant



P.C.B. LAYOUT



SPECIFICATIONS:

1. Shell: Steel, Tin-Plated
2. Contact: Brass, Stamped Pin Gold-Plated
3. Insulator: PBT & Fiber-Glass Reinforced UL94V-0
4. Current Rating: 5 Amps
5. Dielectric Strength: 1000 V for One Minute
6. Insulator Resistance: 1000 Megohms Min. at 500 VDC
7. Temperature: -50°C ~ +105°C

DISCLAIMER:
ALL STATEMENTS AND TECHNICAL INFORMATION CONTAINED HEREIN ARE BASED UPON INFORMATION AND/OR TESTS WE BELIEVE TO BE ACCURATE AND RELIABLE. SINCE CONDITIONS OF USE ARE BEYOND OUR CONTROL, THE USER SHALL DETERMINE THE SUITABILITY OF THE PRODUCT FOR THE INTENDED USE AND ASSUME ALL RISK AND LIABILITY WHATSOEVER IN CONNECTION THEREWITH.

TOLERANCES:

Unless Otherwise Specified
.X ± 0.2 [0.008]
.XX ± 0.12 [0.005]

DRAWN BY:	DATE:
EKLAS ODISH	07/25/06
CHECKED BY:	DATE:
SAMI ALNADI	07/25/06
APPROVED BY:	DATE:
HISHAM ODISH	07/25/06

DRAWING TITLE:
D-Sub Socket, 15 Pin, Right Angle, PCB Mount

SIZE	DWG. NO.	ELECTRONIC FILE	REV
A	SPC15283	79K4880.DWG	A
SCALE: NTS	U.O.M.: mm [INCHES]	SHEET: 1 OF 1	

X-ON Electronics

Largest Supplier of Electrical and Electronic Components

Click to view similar products for [Multicomp](#) manufacturer:

Other Similar products are found below :

[001-0001](#) [001-0003](#) [001-0006](#) [001-0014](#) [001-0017](#) [001-0020](#) [001-0021](#) [001-0023](#) [001-0028](#) [001-0029](#) [001-0030](#) [001-0031](#) [001-0035](#) [001-0037](#) [001-0041](#) [001-0076](#) [003-0001](#) [003-0002](#) [003-0003](#) [003-0011](#) [003-0012](#) [003-0013](#) [003-0015](#) [003-0039](#) [004-0012F](#) [004-0013F](#) [004-0014F](#) [004-0015F](#) [004-0016F](#) [004-0017F](#) [004-0018F](#) [006-0001F](#) [006-0012F](#) [006-0013F](#) [006-0045](#) [010-0001](#) [010-0001F](#) [010-0005](#) [010-0005F](#) [010-0011](#) [010-0014](#) [010-0024](#) [010-0024F](#) [010-0029](#) [010-0041](#) [010-0041F](#) [010-0042F3](#) [010-0055](#) [010-0055F](#) [010-0060](#)