



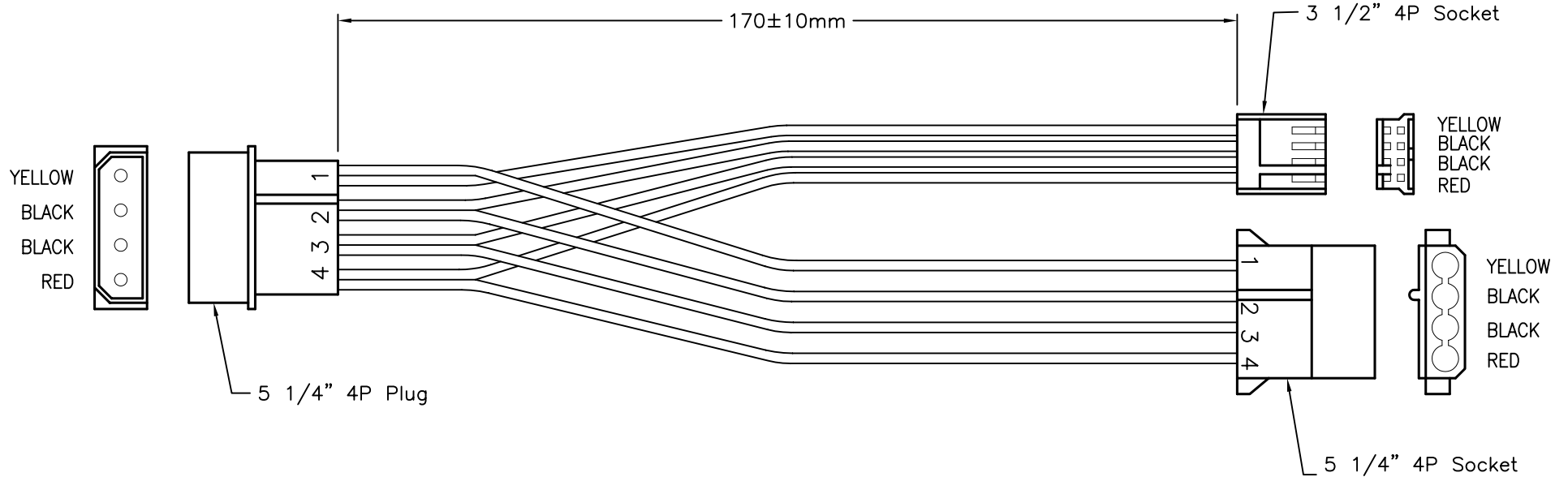
ALL RIGHTS RESERVED. NO PORTION OF THIS PUBLICATION, WHETHER IN WHOLE OR IN PART CAN BE REPRODUCED WITHOUT THE EXPRESS WRITTEN CONSENT OF SPC TECHNOLOGY.

SPC-F005.DWG

REVISIONS

DOC. NO. SPC-F005 * Effective: 7/8/02 * DCP No: 1398

DCP #	REV	DESCRIPTION	DRAWN	DATE	CHECKD	DATE	APPRVD	DATE
1891	A	RELEASED	EO	06/27/06	SA	7/25/06	HO	7/25/06



Material:

- Wire:
 4 pcs, 22AWG Stranded Wire, UL 1007
 4 pcs, 18AWG Stranded Wire, UL 1007
- Connector:
 1 pcs, 5 1/4", 4 Pin Plug
 1 pcs, 5 1/4", 4 Pin Socket
 2 pcs, 3 1/2", 4 Pin Socket

DISCLAIMER:
 ALL STATEMENTS AND TECHNICAL INFORMATION CONTAINED HEREIN ARE BASED UPON INFORMATION AND/OR TESTS WE BELIEVE TO BE ACCURATE AND RELIABLE. SINCE CONDITIONS OF USE ARE BEYOND OUR CONTROL, THE USER SHALL DETERMINE THE SUITABILITY OF THE PRODUCT FOR THE INTENDED USE AND ASSUME ALL RISK AND LIABILITY WHATSOEVER IN CONNECTION THEREWITH.

TOLERANCES:
 Unless Otherwise Specified
 .X ±0.2 [0.008]
 .XX ±0.12 [0.005]

DRAWN BY:	DATE:
EKLAS ODISH	06/27/06
CHECKED BY:	DATE:
SAMI ALNADI	7/25/06
APPROVED BY:	DATE:
HISHAM ODISH	7/25/06

DRAWING TITLE: 5.25" /3.5" Floppy Drive Power Supply Cable			
SIZE	DWG. NO.	ELECTRONIC FILE	REV
A	SPC19798	84K8560.DWG	A
SCALE:	NTS	U.O.M.: mm [INCHES]	SHEET: 1 OF 1

X-ON Electronics

Largest Supplier of Electrical and Electronic Components

Click to view similar products for [Computer Cables](#) category:

Click to view products by [Multicomp](#) manufacturer:

Other Similar products are found below :

[68809-0004](#) [8F36-AAA105-1.00](#) [CB-716EB-RS](#) [CB-716P8P9-RS](#) [CBK-11-290K-00](#) [ACL-10550](#) [ACL-10568-2](#) [ACL-10568-5](#) [426091300-3](#)
[48000023](#) [10114976-P015002LF](#) [10111838-S444ALF](#) [88761-6101](#) [ACL-10568NF-1](#) [PCL-101100R-2E](#) [PS/2 Cable](#) [DG9015MF1](#) [68801-](#)
[1905](#) [111068-1015](#) [100436-1107](#) [68801-0630](#) [68801-3612](#) [68801-3618](#) [SATA cable](#) [96021-0000-00-0](#) [FAK-SMZSMZ-3M](#) [1700001531](#)
[96048-0000-00-0](#) [96054-0000-00-0](#) [SATA III cable 30cm, down/straight](#) [cab-Pico-ITX-LVDS](#) [AXXSTCBLQAT](#) [PCL-101100M-2E](#)
[7010501874](#) [2 port SATA to 5 pin,L=200mm](#) [ACL-10568NF-2](#) [PCL-101100R-1E](#) [68561-0020](#) [74546-0813](#) [74546-1605](#) [74547-0120](#)
[0745470304](#) [0745470305](#) [88750-5310](#) [88750-5318](#) [88751-1310](#) [ODT60002](#) [C-PS2WG/5](#) [C-PS2WW/3](#) [73220861](#)