



ALL RIGHTS RESERVED. NO PORTION OF THIS PUBLICATION, WHETHER IN WHOLE OR IN PART CAN BE REPRODUCED WITHOUT THE EXPRESS WRITTEN CONSENT OF SPC TECHNOLOGY.
SPC-F005.DWG

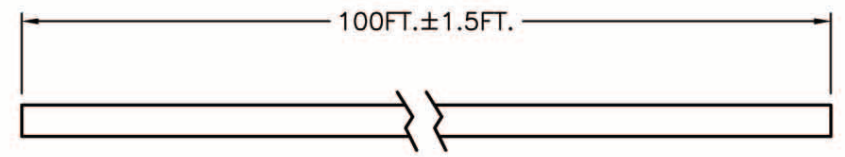
REVISIONS

DOC. NO. SPC-F005 * Effective: 7/8/02 * DCP No: 1398

DCP #	REV	DESCRIPTION	DRAWN	DATE	CHECKD	DATE	APPRVD	DATE
1891	A	RELEASED	EO	06/27/06	SA	7/25/06	HO	7/25/06



RoHS Compliant



SPECIFICATIONS:

1. Product Description
Bare Copper Stranded, Polypropylene Insulated, Telephone Flat Cable. With 24AWG(11/0.16T) Stranded Tinned Copper Drain Wire, Overall Aluminum/Polyester Shield. Flame Retardant PVC Jacket.

2. Insulation:

Conductor	Insulation	
	Material	O.D.
24(11/0.16)	PP	0.95±0.05mm

3. Jacket:

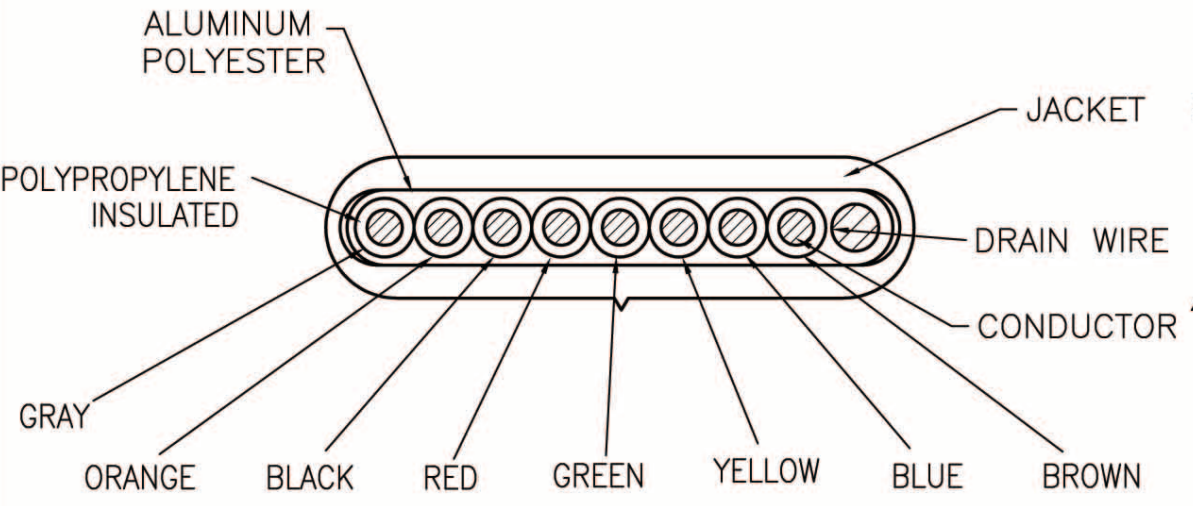
Material	O.D.	Color
FR-PVC	2.5X9.2±0.1mm	SILVER SATIN

4. Electrical & Physical Properties:

- a. UL & CSA Style
- b. Temperature & Voltage Rating: 60°C – 150V
- c. Conductor Resistance: 93 Ohms/KM Max. at 20°C
- d. Insulation Resistance: 100 Megohms/KM Min. at 20°C
- e. Dielectric Strength: 500 VAC/One Min.
- f. Spark Test: 2KV in Air

Note:

Suffix -SL: Cable packaged with paper/plastic spool
Suffix -RH: Cable packaged without paper/plastic in the centre



DISCLAIMER:
ALL STATEMENTS AND TECHNICAL INFORMATION CONTAINED HEREIN ARE BASED UPON INFORMATION AND/OR TESTS WE BELIEVE TO BE ACCURATE AND RELIABLE. SINCE CONDITIONS OF USE ARE BEYOND OUR CONTROL, THE USER SHALL DETERMINE THE SUITABILITY OF THE PRODUCT FOR THE INTENDED USE AND ASSUME ALL RISK AND LIABILITY WHATSOEVER IN CONNECTION THEREWITH.

TOLERANCES:

Unless Otherwise Specified

.X ±0.2 [0.008]
.XX ±0.12 [0.005]

DRAWN BY:	DATE:
EKLAS ODISH	06/27/06
CHECKED BY:	DATE:
SAMI ALNADI	7/25/06
APPROVED BY:	DATE:
HISHAM ODISH	7/25/06

DRAWING TITLE: EMI Shielded Flat Telephone Cable, 24 AWG, 8 Stranded Conductors, 100FT			
SIZE	DWG. NO.	ELECTRONIC FILE	REV
A	SPC19822	84K8584.DWG	A
SCALE: NTS	U.O.M.: mm [INCHES]	SHEET: 1 OF 1	

X-ON Electronics

Largest Supplier of Electrical and Electronic Components

Click to view similar products for [Multi-Conductor Cables](#) category:

Click to view products by [Multicomp](#) manufacturer:

Other Similar products are found below :

[01342.35T.01](#) [01364.35T.01](#) [CS2885-000](#) [CTC-0062-20-9/5-9](#) [CTC-0062-22-9/5-9](#) [644833-000](#) [6500FE-877-1000](#) [CW9530-000](#) [CX6543-000](#) [CXA-0066-20-4-9CS2973](#) [CXA-0078-16-1-9CS2405](#) [CY0660-000](#) [730859-000](#) [MCC-USB-4-250](#) [768146-000](#) [773159-000](#) [820457-000](#) [82907-NAT-500](#) [83005-WHT-500](#) [83023-YEL-500](#) [83027-RED-100](#) [83029-GRN-100](#) [8302-CHR-500](#) [83046-RED-100](#) [8305-CHR-100](#) [83306E-WHT-100](#) [83333-WHT-100](#) [8334-060-1000](#) [83349E-WHT-100](#) [83652-RED-100](#) [8404-060-500](#) [8441-BLK-1000](#) [8450-BLK-1000](#) [8451-GRY-U500](#) [8459-CHR-500](#) [8465-CHR-1000](#) [8466-CHR-1000](#) [8467-CHR-1000](#) [8469 060100](#) [8469-CHR-1000](#) [8471-CHR-1000](#) [8473-CHR-U500](#) [8501-ORG-100](#) [8501-RED-100](#) [8502-GRY-100](#) [8503-WHT/BLU-100](#) [8520-BRN-100](#) [8520-GRY-100](#) [8523-GRY-100](#) [8523-GRY-1000](#)