



## FEATURES

- RoHS compliant
- Axial format
- Up to 5.35A I<sub>DC</sub>
- 4.7μH to 10mH
- Low DC resistance
- Compact size
- MIL-I-23053/5 class III sleeving
- Fully tinned leads
- Supplied in packs of 10
- Custom & radial parts available
- Backward compatible with Sn/Pb soldering systems

## DESCRIPTION

The 1800 Series of inductors are particularly suited to use with a wide variety of switching regulators. Offering high current handling with a low mounting height, the devices are ideal where space is at a premium.

## SELECTION GUIDE

Order Code	Inductance (1kHz, 0.1V <sub>AC</sub> )	DC Current <sup>1</sup>	DC Resistance	Q @ f kHz		SRF
	±10%	Max.	Max.	Nom.		Nom.
	μH	A	mΩ	Q	f	MHz
<b>Discontinued</b>						
<b>18472C</b>	4.7	5.35	9.0	112	1000	36.4
<b>18682C</b>	6.8	4.15	12.0	78	500	23.6
<b>18103C</b>	10.0	3.45	15.0	64	500	19.0
<b>18153C</b>	15.0	3.00	18.0	55	500	15.9
<b>18223C</b>	22.0	2.42	25.0	59	500	11.8
<b>18333C</b>	33.0	2.00	40.0	48	500	11.5
<b>18473C</b>	47.0	1.65	55.0	55	500	8.5
<b>18683C</b>	68.0	1.35	70.0	31	100	6.6
<b>18104C</b>	100.0	1.20	100.0	40	100	7.4
<b>18154C</b>	150.0	1.10	165.0	47	100	4.4
<b>18224C</b>	220.0	0.90	230.0	46	100	3.5
<b>18254C</b>	250.0	0.80	255.0	50	100	3.7
<b>18334C</b>	330.0	0.73	335.0	58	100	3.0
<b>18474C</b>	470.0	0.60	465.0	56	100	2.2
<b>18684C</b>	680.0	0.53	630.0	55	100	2.0
<b>18105C</b>	1.0mH	0.44	1.0Ω	94	50	1.6
<b>18155C</b>	1.5mH	0.33	1.5Ω	107	50	1.3
<b>18225C</b>	2.2mH	0.30	2.2Ω	108	50	1.1
<b>18335C</b>	3.3mH	0.22	3.5Ω	143	50	0.8
<b>18475C</b>	4.7mH	0.20	4.6Ω	128	40	0.7
<b>18685C</b>	6.8mH	0.15	7.0Ω	144	40	0.6
<b>18106C</b>	10.0mH	0.13	12.0Ω	143	40	0.5

## TYPICAL CORE/WIRE CHARACTERISTICS

Inductance Temperature Coefficient	Resistance Temperature Coefficient	Curie Temperature (T <sub>C</sub> )	Saturation Flux (B <sub>SAT</sub> )
430ppm	4000ppm	190°C	325mT

## ABSOLUTE MAXIMUM RATINGS

Operating free air temperature range	0°C to 70°C
Storage temperature range	-55°C to 125°C

## SOLDERING INFORMATION<sup>2</sup>

Peak wave solder temperature	300°C for 10 seconds
Pin finish	Bright tin

All specifications typical at T<sub>a</sub>=25°C

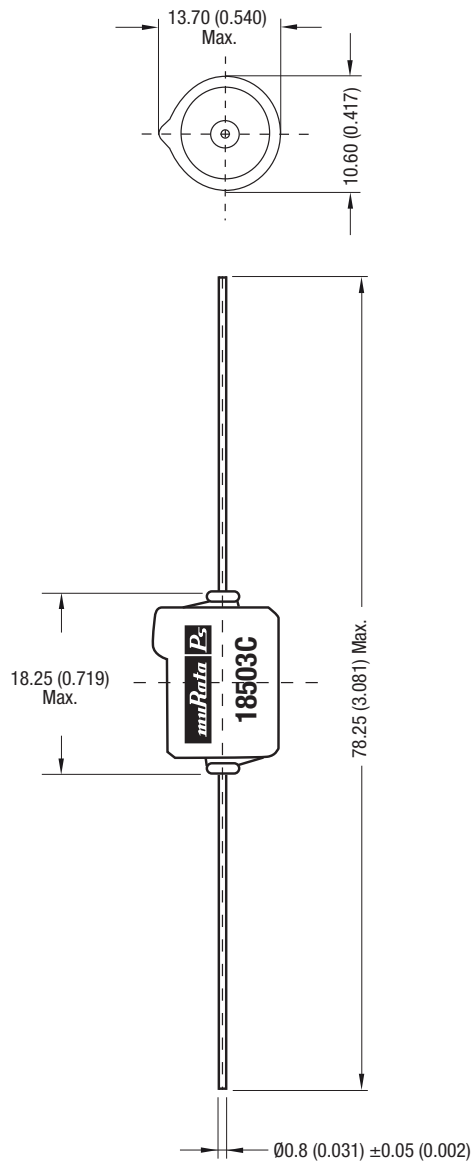
- 1 Maximum DC current occurs when either the inductance falls to 90% of its nominal value or when its temperature rise reaches 30°C, whichever is sooner.
- 2 For further information, please visit [www.murata-ps.com/rohs](http://www.murata-ps.com/rohs)



For full details go to  
[www.murata-ps.com/rohs](http://www.murata-ps.com/rohs)

**PACKAGE SPECIFICATIONS**

**MECHANICAL DIMENSIONS**



Unless otherwise stated, all dimensions in mm (inches)  $\pm 0.25$  (0.01).  
 Package weight: 4.6g Typ.  
 Package quantity: 10

Murata Power Solutions, Inc.  
 11 Cabot Boulevard, Mansfield, MA 02048-1151 U.S.A.  
 ISO 9001 and 14001 REGISTERED

Murata Power Solutions, Inc. makes no representation that the use of its products in the circuits described herein, or the use of other technical information contained herein, will not infringe upon existing or future patent rights. The descriptions contained herein do not imply the granting of licenses to make, use, or sell equipment constructed in accordance therewith. Specifications are subject to change without notice.  
 © 2018 Murata Power Solutions, Inc.

## X-ON Electronics

Largest Supplier of Electrical and Electronic Components

*Click to view similar products for [Fixed Inductors](#) category:*

*Click to view products by [Murata](#) manufacturer:*

Other Similar products are found below :

[CR43NP-680KC](#) [CR54NP-820KC](#) [CR54NP-8R5MC](#) [CTX32CT-100](#) [70F224AI](#) [MGDQ4-00004-P](#) [MHL1ECTTP18NJ](#) [MHL1JCTTD12NJ](#)  
[PE-51506NL](#) [PE-53601NL](#) [PE-53602NL](#) [PE-53630NL](#) [PE-53824SNLT](#) [PE-62892NL](#) [PE-92100NL](#) [PG0434.801NLT](#) [PG0936.113NLT](#)  
[9310-16](#) [PM06-2N7](#) [PM06-39NJ](#) [A01TK](#) [1206CS-471XJ](#) [HC2-2R2TR](#) [HC2LP-R47-R](#) [HC3-2R2-R](#) [HCF1305-3R3-R](#) [1206CS-151XG](#)  
[RCH664NP-140L](#) [RCH664NP-4R7M](#) [RCH8011NP-221L](#) [RCP1317NP-332L](#) [RCP1317NP-391L](#) [RCR1010NP-470M](#) [RCR110DNP-331L](#)  
[DH2280-4R7M](#) [DS1608C-106](#) [ASPI-4020HI-R10M-T](#) [B10TJ](#) [B82477P4333M](#) [B82498B3101J000](#) [B82498B3680J000](#) [ELJ-RE27NJF2](#)  
[1812CS-153XJ](#) [1812CS-183XJ](#) [1812CS-223XJ](#) [1812LS-104XJ](#) [1812LS-105XJ](#) [1812LS-124XJ](#) [1812LS-154XJ](#) [1812LS-223XJ](#)