

SNAP-IN BEZELS FOR DMS-20PC/30PC/40PC RED LED METERS

Murata Power Solutions part numbers 5252-01160-0 (for DMS-30PC and DMS-40PC red LED meters) and 5252-01161-0 (for DMS-20PC red LED meters) can be used when DMS meters are mounted on a pc-board which is situated behind a panel. Both bezels are made of black ABS plastic and easily snap into appropriately-sized cutouts (see chart for cutout dimensions) in metal panels whose thickness is between 0.040" (1.0mm) and 0.125" (3.2mm).

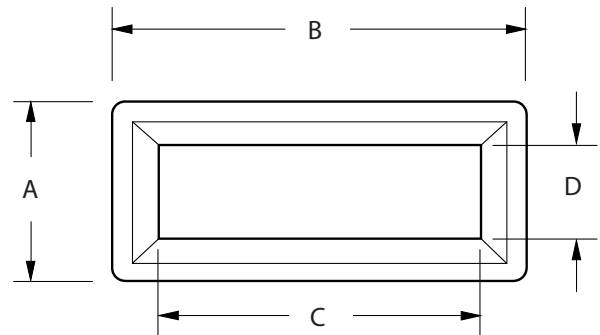
Both bezels come with a snap-in, 0.030" (0.8mm) thick, red acrylic lens which provides excellent on/off contrast. For optimum digit clarity, the spacing between the meter's front surface and the lens should be less than 0.200" (5.1mm). See application Note 16 for more information on behind-the-panel mounting.



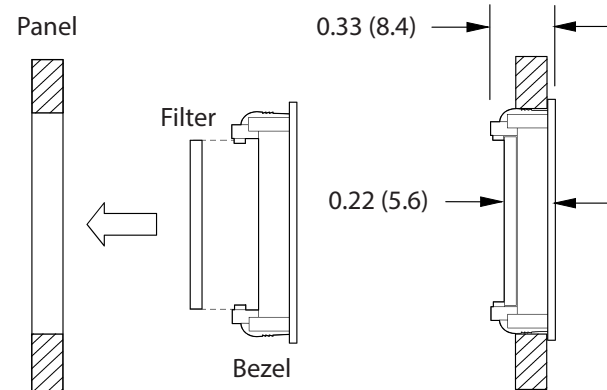
Bezel Dimensions	A	B	C	D
5252-01161-0 DMS-20PC	1.343 (34.1)	1.906 (48.4)	1.375 (34.9)	0.812 (20.6)
5252-01160-0 DMS-30PC/40PC	1.343 (34.1)	2.531 (64.3)	2.0 (50.8)	0.812 (20.6)
Cutout Dimensions			Height	Width
5252-01161-0 DMS-20PC			1.156 (29.4)	1.750 (44.5)
5252-01160-0 DMS-30PC/40PC			1.156 (29.4)	2.375 (60.3)
Filter Dimensions			Height	Width
5252-01161-0 DMS-20PC			0.875 (22.2)	1.437 (36.5)
5252-01160-0 DMS-30PC/40PC			0.875 (22.2)	2.087 (53.0)

Dimensions: in. (mm) Tolerances: ± 0.008 (± 0.2)
 Filter Material is 0.030" (0.8) thick

See www.murata-ps.com/dpm-availability for model-specific availability.



BEZEL AND FILTER INSTALLATION



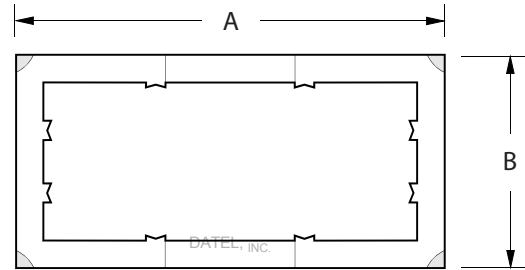
RETAINING CLIPS FOR DMS-20 AND DMS-30/40

Part numbers 5252-01126-0 (for all DMS-30/40 meters) and 5252-01127-0 (for all DMS-20 meters) metal retaining clips can be used as spares for damaged or lost clips and for securing blank cases to panels.

Clip Dimensions	A	B
5252-01127-0 DMS-20PC	1.71 (43.4)	1.21 (30.7)
5252-01126-0 DMS-30PC/40PC	2.50 (63.5)	1.25 (31.8)

Dimensions: in. (mm)

Tolerances: ±0.02 (±0.5)



RED CASES FOR DMS-20PC/30PC/40PC APPLICATIONS

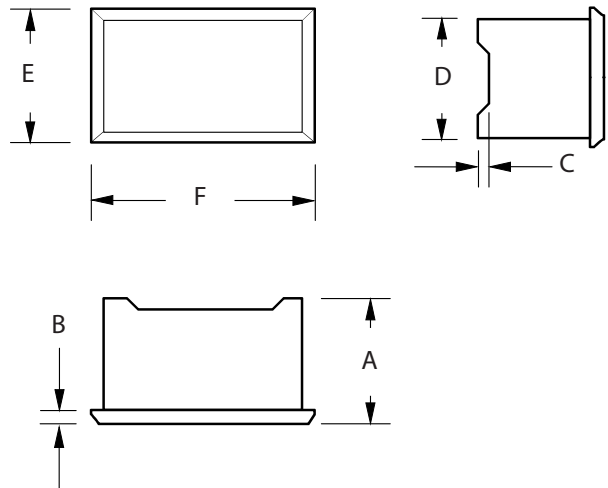
Murata Power Solutions part numbers 5252-01145-0 (DMS-30/40PC size) and 5252-01130-0 (DMS-20PC size) are the same red plastic cases used in DMS-30/40 and DMS-20PC red LED display meters. These "blank" cases can be utilized to cover unused cutouts in multiple-meter applications. They can also be used to achieve a uniform appearance in applications which combine a red LED DMS meter with a user-supplied red LED display. Both cases can be secured to the panel in the same manner as their meter counterparts, that is, with either 5252-01120-0 (for DMS-30/40's) and 5252-01127-0 (for DMS-20's) retaining clips, or with DMS-BZL1 (for DMS-30/40's) and DMS-BZL3 (for DMS-20's) bezel assemblies.

Both cases are made from 0.040" (1.0mm) thick red polycarbonate plastic and are supplied with a removable protective film on their front surface which reduces scratching during handling and installation.

Case Dimensions	A	B	C	D	E	F
5252-01130-0 DMS-20PC	0.475 (12.1)	0.040 (1.0)	0.025 (0.6)	0.800 (20.3)	0.880 (22.4)	1.380 (35.1)
5252-01145-0 DMS-30PC/40PC	0.560 (14.1)	0.040 (1.0)	0.030 (0.8)	0.850 (21.6)	0.925 (23.5)	2.165 (55.0)

Dimensions: in. (mm)

Tolerances: ±0.008 (±0.2)



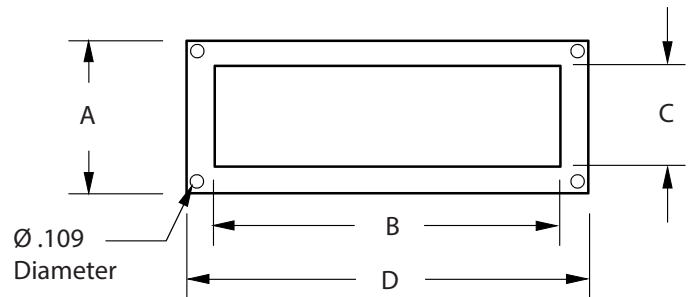
Panel Cutouts: See the Mechanical Specifications section of the DMS-20PC or DMS-30PC Series product data sheets for detailed panel cutout and panel mounting dimensions.

CUTOUT ADAPTER FOR DMS-20/30/40 METERS

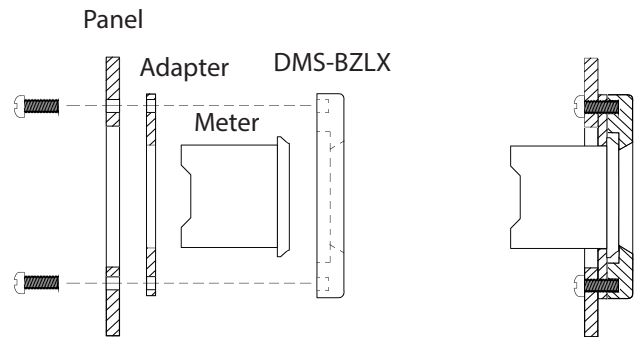
Murata Power Solutions offers two 0.020"(0.5mm) lexan adapter plates which, when used with DMS-BZL1 or DMS-BZL3 bezel assemblies, can compensate for irregular, less precise panel cutouts. These adapter plates can also be used to compensate for slightly larger cutouts when designing-in Murata Power Solutions meters as alternate sources. 4652-01101-0 fits all DMS-30/40 meters and 4652-01100-0 fits all DMS-20 meters. As shown in the illustrations, the adapter plate is first placed around the meter's case and then the bezel assembly is installed in the normal manner using its factory-supplied hardware.

Adapter Dimensions	A	B	C	D
4652-01100-0 DMS-20PC	1.290 (32.8)	1.315 (33.4)	0.815 (20.7)	1.850 (47.0)
4652-01101-0 DMS-30PC/40PC	1.290 (32.8)	2.110 (53.6)	0.870 (22.1)	2.570 (65.3)

Dimensions: in. (mm) Tolerances: ±0.008 (±0.2)
 Adapter Plate is 0.020 (0.5) thick



ADAPTER PLATE INSTALLATION



X-ON Electronics

Largest Supplier of Electrical and Electronic Components

Click to view similar products for [Digital Panel Meters](#) category:

Click to view products by [Murata](#) manufacturer:

Other Similar products are found below :

[M00558-00](#) [70.360.4828.0](#) [72331-00](#) [85310-25](#) [86642-00](#) [87268-13](#) [87316-00](#) [87719-26](#) [98107-56](#) [HB8260-R36-90](#) [DMS-20ACV-3-R-C](#)
[EM11DINAV81XR1X](#) [25.325.3253.1](#) [25.325.4253.1](#) [25.330.0453.1](#) [20046-20](#) [20182-23](#) [AP1021](#) [25.320.5053.0](#) [25.350.3453.1](#)
[25.394.3653.1](#) [25.521.3253.0](#) [28006-01](#) [04.630.1080.0](#) [20078-20](#) [EM11DINAV81XO1X](#) [85874-26](#) [87166-00](#) [87895-00](#) [28000-03](#) [K3GN-](#)
[NDT1-FLK 24VDC](#) [82322K-11](#) [86641-00](#) [87004-00](#) [HB8280R2490](#) [HB8260R4890](#) [SCE016MD3MV0W10](#) [20125-21](#) [86640-00](#) [PG-100-](#)
[103GP](#) [PG-100-102RP](#) [PG-100B-102R-H](#) [PG-100B-103R](#) [PG-100B-102R](#) [PG-100N-103R-W](#) [PG-100N-103R](#) [PG-100N-102R](#) [PG-100-](#)
[102GH](#) [PG-100-103RP](#) [PG-100B-103R-M](#)