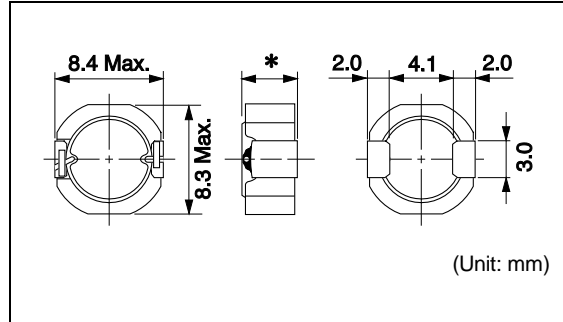


DS85LCB

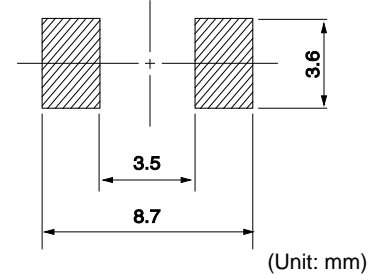


Inductance Range: 1.0~100μH



Note (*) 5.0mm Max. height.

Recommended patterns
推荐焊盘尺寸



FEATURES 特点

- 8.4 × 8.3mm Max. square, 5.0mm Max. height).
- Magnetically shielded construction and low DC resistance.
- Suitable for large currents.
- Operating temperature : -40~+85°C
- 最大8.4×8.3毫米的平面，最大高度5.0毫米
- 磁性屏蔽结构和低直流电阻
- 适合大电流
- 使用温度范围：-40~+85°C

STANDARD PART NUMBERS 标准零件号码

TYPE DS85LCB (Quantity/reel; 500 PCS)

| 零件号码 | 电感值 ⁽¹⁾ | 公差 | 最大直流电阻 ⁽²⁾ (典型) | 最大电感值减小电流 ⁽³⁾ (典型) | 最大温度上升电流 ⁽³⁾ (典型) | |
|-----------------|--------------------------------|---------------|---|---|---|------------|
| Part Number | Inductance ⁽¹⁾ (μH) | Tolerance (%) | DC Resistance ⁽²⁾ (mΩ) Max. (Typ.) | Inductance Decrease Current ⁽³⁾ (A) Max. (Typ.) $\frac{\Delta L}{L} = 10\%$ $\frac{\Delta L}{L} = 30\%$ | Temperature Rise Current ⁽³⁾ ΔT=40°C (A) Max. (Typ.) | |
| B1135AS-1R0N=P3 | 1.0 | ±30 | 9.6 (8.0) | 7.8 (10.4) | 10.1 (13.4) | 8.5 (10.0) |
| B1135AS-1R5N=P3 | 1.5 | ±30 | 11 (9.3) | 6.3 (8.4) | 8.3 (11.0) | 7.6 (9.0) |
| B1135AS-2R2N=P3 | 2.2 | ±30 | 13 (11) | 5.5 (7.3) | 7.1 (9.5) | 7.3 (8.6) |
| B1135AS-2R7N=P3 | 2.7 | ±30 | 14 (12) | 4.7 (6.3) | 6.2 (8.3) | 6.5 (7.6) |
| B1135AS-3R6N=P3 | 3.6 | ±30 | 17 (14) | 4.2 (5.6) | 5.6 (7.4) | 5.5 (6.5) |
| B1135AS-4R7N=P3 | 4.7 | ±30 | 21 (17) | 3.7 (5.0) | 4.9 (6.6) | 5.1 (6.0) |
| B1135AS-6R8N=P3 | 6.8 | ±30 | 29 (25) | 3.1 (4.1) | 4.1 (5.4) | 4.0 (4.7) |
| B1135AS-100M=P3 | 10 | ±20 | 45 (38) | 2.4 (3.2) | 3.2 (4.3) | 3.3 (3.8) |
| B1135AS-150M=P3 | 15 | ±20 | 64 (53) | 2.0 (2.7) | 2.6 (3.5) | 2.5 (2.9) |
| B1135AS-220M=P3 | 22 | ±20 | 84 (70) | 1.7 (2.3) | 2.2 (3.0) | 2.3 (2.7) |
| B1135AS-330M=P3 | 33 | ±20 | 110 (90) | 1.4 (1.9) | 1.8 (2.4) | 1.9 (2.3) |
| B1135AS-470M=P3 | 47 | ±20 | 150 (125) | 1.2 (1.6) | 1.5 (2.1) | 1.6 (1.9) |
| B1135AS-680M=P3 | 68 | ±20 | 235 (195) | 0.97 (1.3) | 1.3 (1.7) | 1.3 (1.5) |
| B1135AS-101M=P3 | 100 | ±20 | 330 (275) | 0.79 (1.1) | 1.1 (1.4) | 1.1 (1.3) |

(1) Inductance is measured with a LCR meter 4284A (Agilent Technologies) or equivalent. Test frequency at 100kHz

(2) DC resistance is measured with 34420A (Agilent Technologies) or 3541(HIOKI). (Reference ambient temperature 25°C)

(3) Maximum allowable DC current is that which causes a 10% inductance reduction from the initial value, or coil temperature to rise by 40°C, whichever is smaller. (Reference ambient temperature 20°C)

(1) LCR仪表4284A (Agilent技术)或者功能相同的仪器在100kHz下测试电感值。

(2) 通过数码万用表34420A (Agilent技术) 或者3541(HIOKI)测试直流电阻。(环境温度为25°C)

(3) 允许最大直流电的范围是以下两者中比较小的一个：引起电感值从最初值降低10%，或者线圈温度升高40°C。(参考周围环境温度20°C)。

X-ON Electronics

Largest Supplier of Electrical and Electronic Components

Click to view similar products for [Fixed Inductors](#) category:

Click to view products by [Murata](#) manufacturer:

Other Similar products are found below :

[CR43NP-680KC](#) [CR54NP-820KC](#) [CR54NP-8R5MC](#) [CTX32CT-100](#) [70F224AI](#) [MGDQ4-00004-P](#) [MHL1ECTTP18NJ](#) [MHL1JCTTD12NJ](#)
[PE-51506NL](#) [PE-53601NL](#) [PE-53602NL](#) [PE-53630NL](#) [PE-53824SNLT](#) [PE-62892NL](#) [PE-92100NL](#) [PG0434.801NLT](#) [PG0936.113NLT](#)
[9310-16](#) [PM06-2N7](#) [PM06-39NJ](#) [A01TK](#) [1206CS-471XJ](#) [HC2-2R2TR](#) [HC2LP-R47-R](#) [HC3-2R2-R](#) [HCF1305-3R3-R](#) [1206CS-151XG](#)
[RCH664NP-140L](#) [RCH664NP-4R7M](#) [RCH8011NP-221L](#) [RCP1317NP-332L](#) [RCP1317NP-391L](#) [RCR1010NP-470M](#) [RCR110DNP-331L](#)
[DH2280-4R7M](#) [DS1608C-106](#) [ASPI-4020HI-R10M-T](#) [B10TJ](#) [B82477P4333M](#) [B82498B3101J000](#) [B82498B3680J000](#) [ELJ-RE27NJF2](#)
[1812CS-153XJ](#) [1812CS-183XJ](#) [1812CS-223XJ](#) [1812LS-104XJ](#) [1812LS-105XJ](#) [1812LS-124XJ](#) [1812LS-154XJ](#) [1812LS-223XJ](#)