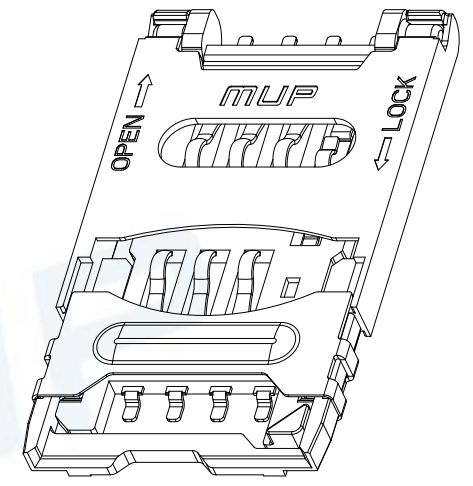
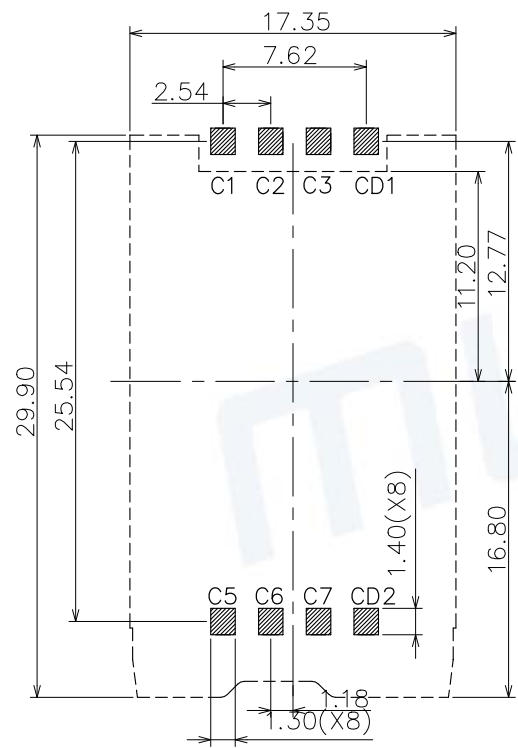
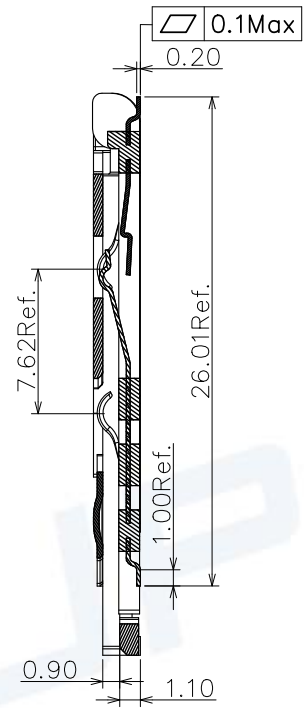
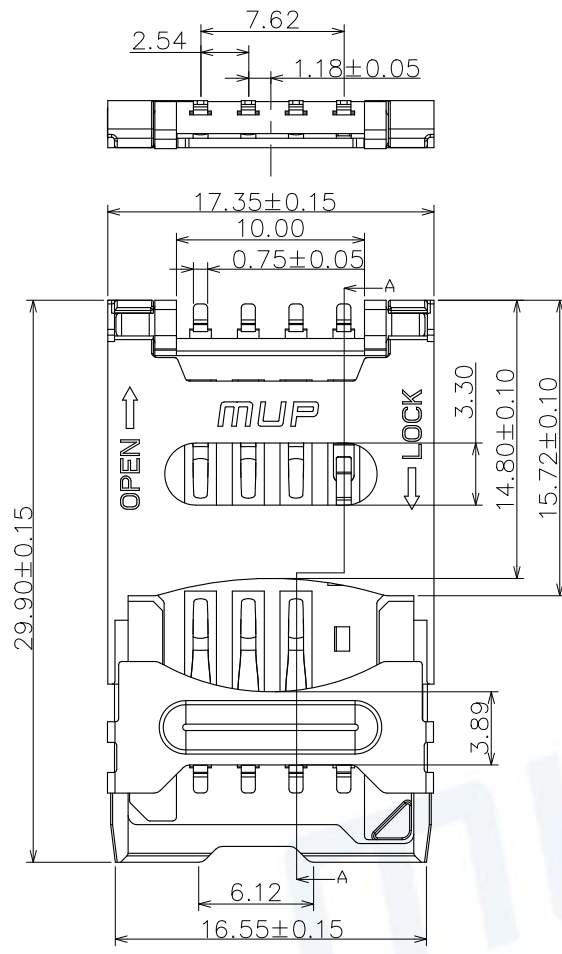


REV.	DESCRIPTION OF REVISIONS	APPR.	CHKD.	DRAW.	DATE
1	NEW			Zoey	2014/1/6
2	Original Model C706-3			HXR	2023/10/27

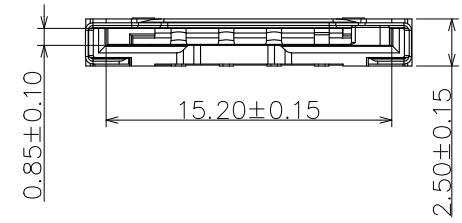


SECTION A-A

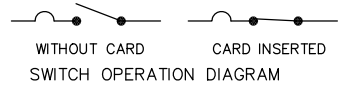
RECOMMENDED P.C.B LAYOUT COMPONENT SIDE(TOLERANCE ±0.05)

TECHNICAL CHARACTERISTICS

- General Characteristics**
 Dimensions: 29.90LX17.35WX2.50H mm
 Weight: Approx 1.20±0.2g
 Durability: 5,000 cycles min.
- Electrical Characteristics**
 Contact resistance: 50mΩ typical, 100mΩ max
 Insulation resistance: >1000MΩ/500V DC
- Solderability**
 Vapor phase: 215°C, 30sec. Max
 IR reflow: 260°C, 5sec. Max
 Manual soldering: 370°C, 3sec. Max
- Environmental Characteristics**
 Operating temperature: -40°C~+85°C
 Operating humidity: 10%~+95%RH



ELECTRIC FUNCTION	DETECT SWITCH
WITHOUT CARD	OPEN
CARD INSERTED	CLOSED



ITEM	PART NAME	Q'TY	MATERIAL	FINISH
1	BASE	1	LCP	Black UL94V-0
2	COVER	1	LCP	Black UL94V-0
3	DATA CONTACT	6	C5191R-H	Contact area: 5u" Au
4	SLIDER LOCKED	1	SUS304R-H	
3	SWITCH CONTACT 2	1	C5191R-H	Contact area: Gold plated
4	SWITCH CONTACT 1	1	C5191R-H	Contact area: Gold plated

Unless otherwise specified, other tolerance are:

MUP MUP INDUSTRIAL CO.,LTD.

NAME: **SIM Card Connector**

MODEL NO: **MUP-C7006-03**

TYPE: **H2.5 without post 6p**

PROJ.	UNIT	SCALE	DRAWN	Zoey	Jan.06.2014	DWG NO.:	DWG-C7006-03-01
	mm	1:1	CHECKED	Jimmy	Jan.06.2014	SHEET	1/1
CUSTOMER DRAWING			APPROVAL	Simon	Jan.06.2014	REVISION	2



X-ON Electronics

Largest Supplier of Electrical and Electronic Components

Click to view similar products for [Memory Card Connectors](#) category:

Click to view products by [Murata](#) manufacturer:

Other Similar products are found below :

[6407-249V-25273P](#) [6407-249V-25343P](#) [6426-201-21343](#) [69.920.0553.0](#) [MCR60A-98D-2.54DSA\(70\)](#) [809180410000000](#) [DM3AT-SF-PEJM5\(41\)](#) [IC11S-BUR-PNEJL\(71\)](#) [C70210M0083692](#) [2041353-2](#) [308-DS1P0811-192](#) [HM2P09PDR360N9LF](#) [10014744-011TLF](#) [11327-001](#) [11327-002](#) [NX1-32T-KT3K\(05\)](#) [95622-003LF](#) [84648-056HLF](#) [CCM03-3109 B LFT](#) [MS3116J10-6PW](#) [2309923-1](#) [61126-050CAHLF](#) [GTFP08432B1HR](#) [G85D1160022HHR](#) [SCE2MSDB76A121SN](#) [SCE2MSDZN76A121SN](#) [10014744-011ALF](#) [10014744-011LF](#) [10057542-1211FLF](#) [10067972-000LF](#) [10067972-050LF](#) [10122302-20110LF](#) [G85D1162022HHR](#) [TF-05A](#) [M6014-12](#) [XKNANO-1412](#) [SMN-304-ARP6](#) [MIS11-S1F1-2000-A](#) [SMN-308-ARSP7](#) [MCS-302S-KT1B](#) [SMN-308-ACSP7](#) [K-DYX-008](#) [K-DYX-004](#) [C7024-03](#) [SMO-1030](#) [MCS-110-KT](#) [SIM-217](#) [SNO-1355-KT](#) [SMO-1025-P10](#) [SIM-211S-P6](#)