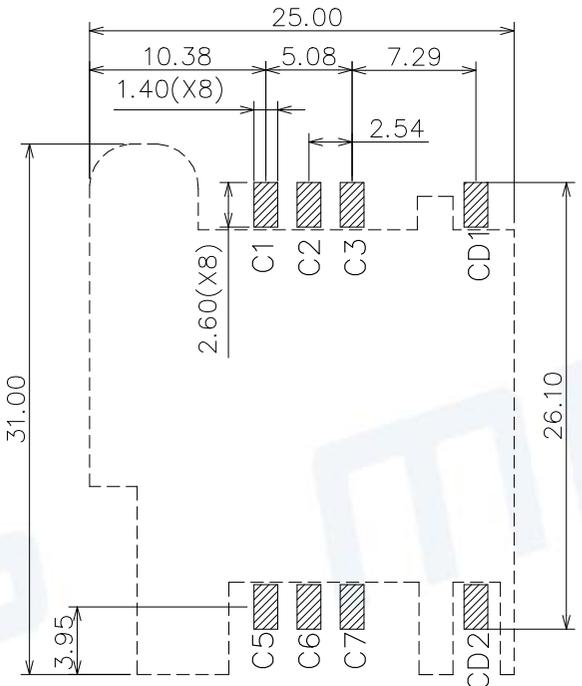
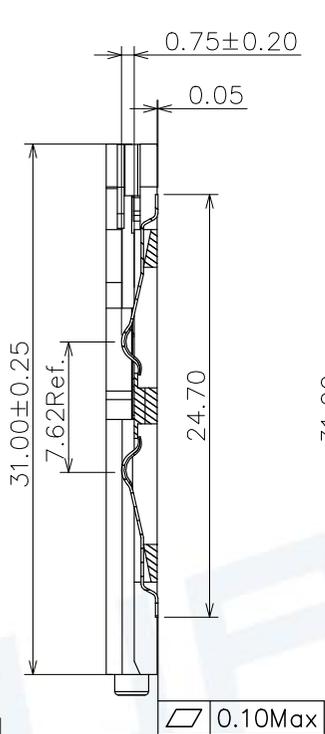
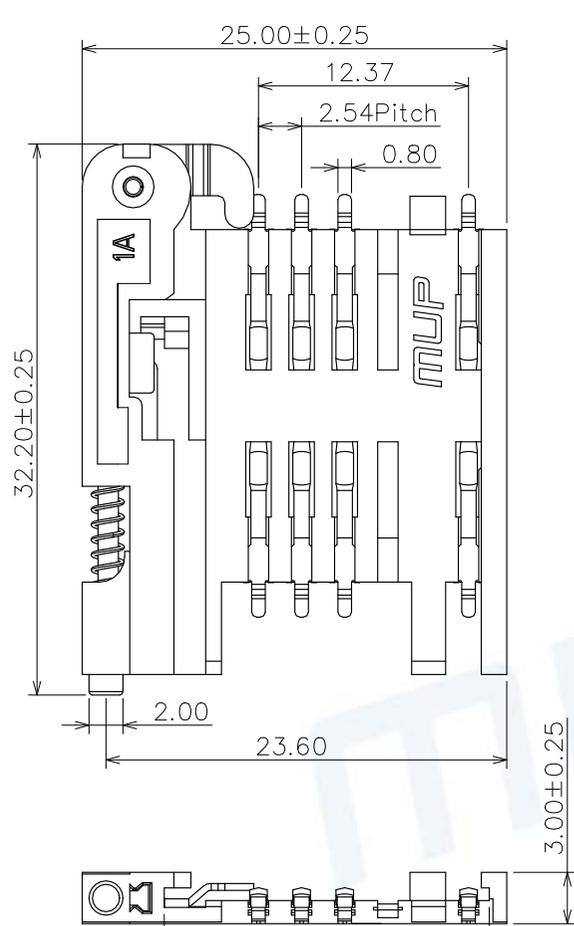
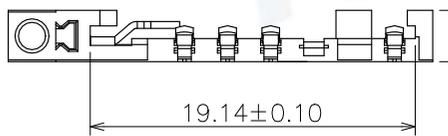
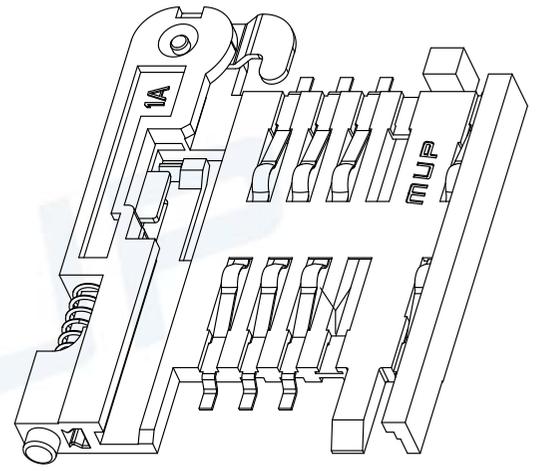


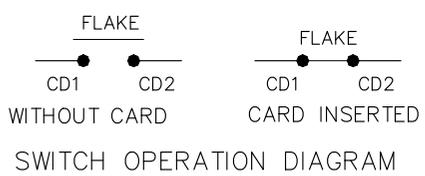
REV.	DESCRIPTION OF REVISIONS	APPR.	CHKD.	DRAW.	DATE
1	NEW			Zoey	2006/10/10
2	Original Model: C716-3			HUABO	2023/10/25



RECOMMENDED P.C.B LAYOUT
COMPONENT SIDE(TOLERANCE ±0.05)



ELECTRIC FUNCTION	DETECT SWITCH
WITHOUT CARD	OPEN
CARD INSERTED	CLOSED



TECHNICAL CHARACTERISTICS

1.General Characteristics
Durability: 5,000 cycles min.

2.Electrical Characteristics
Contact resistance: Initial: 50mΩ Max.
After Test: 100mΩ Max.
Insulation resistance: >1000MΩ/500V DC

3.Solderability
IR reflow: 250°C, 5sec. Max
Manual soldering: 370°C, 3sec. Max

4.Environmental Characteristics
Operating temperature: -40°C~+85°C
Operating humidity: 10%~+95%RH

ITEM	PART NAME	Q'TY	MATERIAL	FINISH
1	BASE	1	Hi-temp Thermoplastic	Black UL94V-0
2	DATA CONTACT	8	Copper Alloy	Contact area: 15u" Au plated
3	HANDLE	1	Hi-temp Thermoplastic	Yellow UL94V-0
4	SPRING	1	SWP	
5	POLE	1	Stainless Steel	
6	AXIS	1	Copper Alloy	Ni plated over all
7	TOGGLE LEVER	1	Stainless Steel	

X	±0.35	X'	±5°
X.X	±0.25	X.X'	±4°
X.XX	±0.15	X.XX'	±3°
X.XXX	±0.10	X.XXX'	±2°

Unless otherwise specified, other tolerance are:

MUP MUP INDUSTRIAL CO.,LTD.

NAME: **SIM Card Connector**

MODEL NO: **MUP-C7016-03**

TYPE: **without post 6p**



PROJ.	UNIT	SCALE	DRAWN	DATE	DWG NO.:
⊕	mm	1:1	Zoey	Oct.10.2006	DWG-C7016-03-01
CUSTOMER DRAWING			CHECKED	Jimmy	Oct.10.2006
			APPROVAL	Jun	Oct.10.2006
				SHEET	REVISION
				1/1	2

X-ON Electronics

Largest Supplier of Electrical and Electronic Components

Click to view similar products for [Memory Card Connectors](#) category:

Click to view products by [Murata](#) manufacturer:

Other Similar products are found below :

[6407-249V-25273P](#) [6407-249V-25343P](#) [6426-201-21343](#) [69.920.0553.0](#) [MCR60A-98D-2.54DSA\(70\)](#) [809180410000000](#) [DM3AT-SF-PEJM5\(41\)](#) [IC11S-BUR-PNEJL\(71\)](#) [C70210M0083692](#) [2041353-2](#) [308-DS1P0811-192](#) [HM2P09PDR360N9LF](#) [10014744-011TLF](#) [11327-001](#) [11327-002](#) [NX1-32T-KT3K\(05\)](#) [95622-003LF](#) [84648-056HLF](#) [CCM03-3109 B LFT](#) [MS3116J10-6PW](#) [2309923-1](#) [61126-050CAHLF](#) [GTFP08432B1HR](#) [G85D1160022HHR](#) [SCE2MSDB76A121SN](#) [SCE2MSDZN76A121SN](#) [10014744-011ALF](#) [10014744-011LF](#) [10057542-1211FLF](#) [10067972-000LF](#) [10067972-050LF](#) [10122302-20110LF](#) [G85D1162022HHR](#) [TF-05A](#) [SMN-304-ARP6](#) [MIS11-S1F1-2000-A](#) [SMN-308-ARSP7](#) [MCS-302S-KT1B](#) [SMN-308-ACSP7](#) [K-DYX-008](#) [K-DYX-004](#) [HYCW126-TF18-150B](#) [C7024-03](#) [SMO-1030](#) [MCS-110-KT](#) [SIM-217](#) [SNO-1355-KT](#) [SMO-1025-P10](#) [SIM-211S-P6](#) [SNO-1440](#)