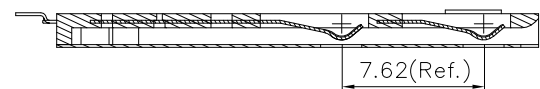
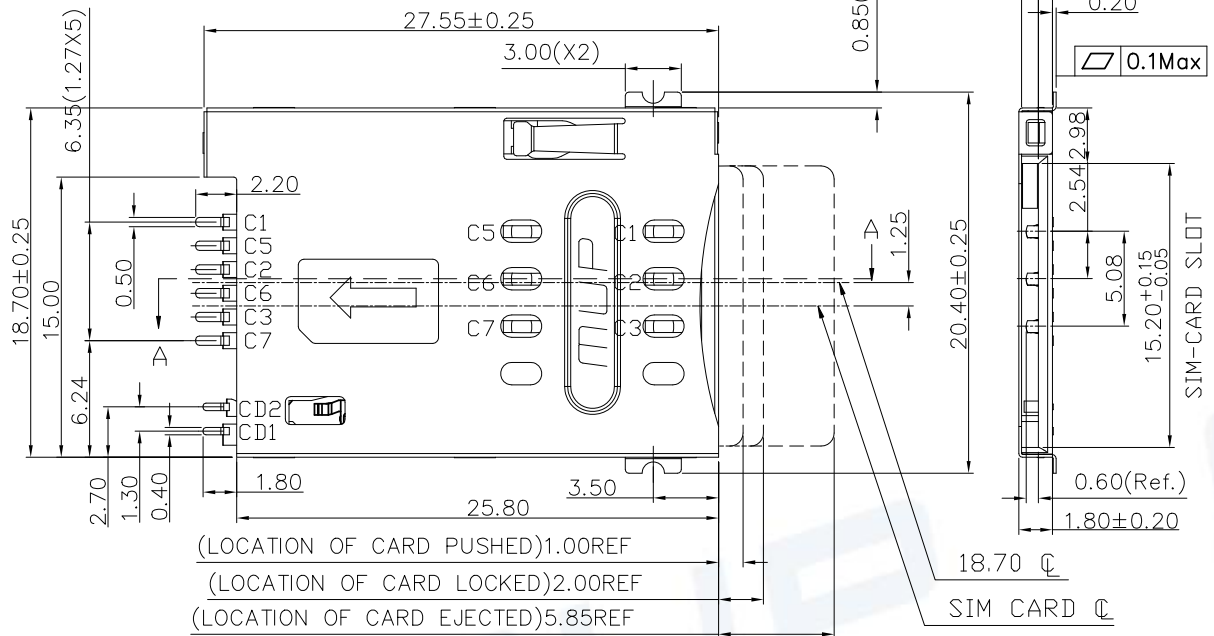


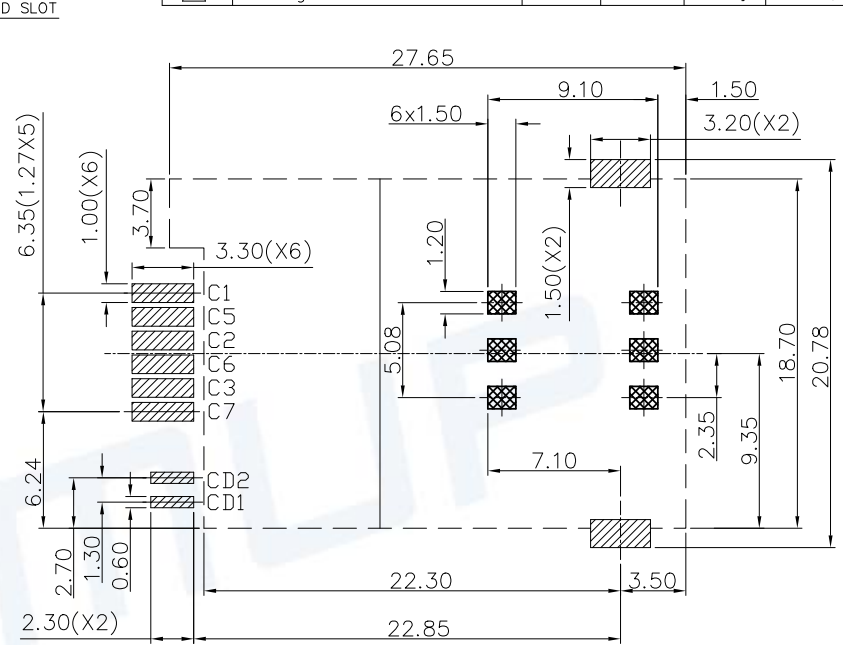
REV.	DESCRIPTION OF REVISIONS	APPR.	CHKD.	DRAW.	DATE
△	NEW			Henry	2014/9/30
△	Original Model C720-2			Henry	2023/10/17



SECTION A-A



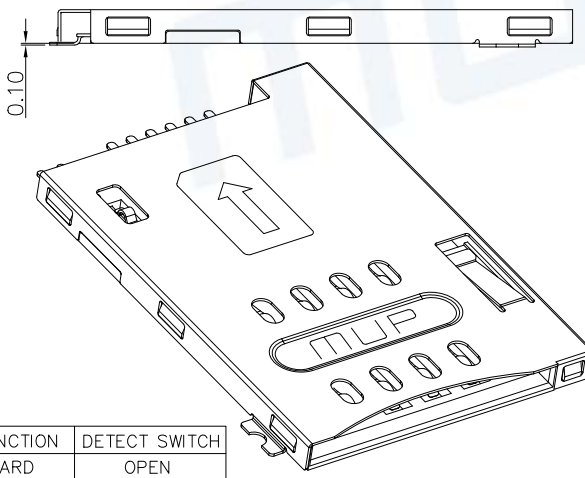
(LOCATION OF CARD PUSHED)1.00REF
 (LOCATION OF CARD LOCKED)2.00REF
 (LOCATION OF CARD EJECTED)5.85REF



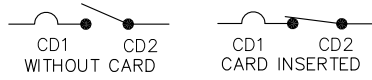
RECOMMENDED P.C.B LAYOUT
 COMPONENT SIDE(TOLERANCE ±0.05)

- PAD AREA
- CONNECTOR OUTLINE
- NO PATTERN AND VIA HOLE IN THIS AREA

TECHNICAL CHARACTERISTICS
 1.General Characteristics
 Dimensions:27.60LX18.70WX1.80H mm
 Weight:Approx 1.33g
 Durability:5,000 cycles min.
 2.Electrical Characteristics
 Contact resistance:50mΩ typical,
 100mΩ max
 Insulation resistance:>1000MΩ/500V DC
 3.Solderability
 Vapor phase:215°C,30sec.Max
 IR reflow:250°C,5sec.Max
 Manual soldering:370°C,3sec.Max
 4.Environmental Characteristics
 Operating temperature:-40°C~+85°C
 Operating humidity:10%~+95%RH



ELECTRIC FUNCTION	DETECT SWITCH
WITHOUT CARD	OPEN
CARD INSERTED	CLOSED



SWITCH OPERATION DIAGRAM

ITEM	PART NAME	Q'TY	MATERIAL	FINISH
1	HOUSING	1	Hi-temp Thermoplastic	Black UL94V-0
2	SHELL	1	Stainless Steel	SMT area:Gold plated
3	DATA CONTACT	6	Copper Alloy	Contact area:Gold plated
4	HEART CAM	1	Hi-temp Thermoplastic	Black UL94V-0
5	COLL SPRING	1	SWP.	
6	CAM PIN	1	Stainless Steel	
7	CD2 SWITCH	1	Copper Alloy	Contact area:Gold plated

Unless otherwise specified, other tolerance are:

X	±0.35	X*	±5*
X.X	±0.25	X.X*	±4*
X.XX	±0.15	X.XX*	±3*
X.XXX	±0.10	X.XXX*	±2*

MUP MUP INDUSTRIAL CO.,LTD.

NAME: **SIM Card Connector**
 MODEL NO: **MUP-C7020-02**
 TYPE: **Without post /6pin /Normally open**

PROJ.	UNIT	SCALE
	mm	1:1

DRAWN	Henry Sep.30.2014
CHECKED	Henry Sep.30.2014
APPROVAL	Simon Sep.30.2014

DWG NO.:	
DWGP-C7020-02-01	
SHEET	REVISION
1/1	2



PROCESS COMPLIANT

CUSTOMER DRAWING

X-ON Electronics

Largest Supplier of Electrical and Electronic Components

Click to view similar products for [Memory Card Connectors](#) category:

Click to view products by [Murata](#) manufacturer:

Other Similar products are found below :

[6407-249V-25273P](#) [6407-249V-25343P](#) [6426-201-21343](#) [69.920.0553.0](#) [MCR60A-98D-2.54DSA\(70\)](#) [809180410000000](#) [DM3AT-SF-PEJM5\(41\)](#) [IC11S-BUR-PNEJL\(71\)](#) [C70210M0083692](#) [2041353-2](#) [308-DS1P0811-192](#) [HM2P09PDR360N9LF](#) [10014744-011TLF](#) [11327-001](#) [11327-002](#) [NX1-32T-KT3K\(05\)](#) [95622-003LF](#) [84648-056HLF](#) [CCM03-3109 B LFT](#) [MS3116J10-6PW](#) [2309923-1](#) [61126-050CAHLF](#) [GTFP08432B1HR](#) [G85D1160022HHR](#) [SCE2MSDB76A121SN](#) [SCE2MSDZN76A121SN](#) [10014744-011ALF](#) [10014744-011LF](#) [10057542-1211FLF](#) [10067972-000LF](#) [10067972-050LF](#) [10122302-20110LF](#) [G85D1162022HHR](#) [TF-05A](#) [M6014-12](#) [XKNANO-1412](#) [SMN-304-ARP6](#) [MIS11-S1F1-2000-A](#) [SMN-308-ARSP7](#) [MCS-302S-KT1B](#) [SMN-308-ACSP7](#) [K-DYX-008](#) [K-DYX-004](#) [C7024-03](#) [SMO-1030](#) [MCS-110-KT](#) [SIM-217](#) [SNO-1355-KT](#) [SMO-1025-P10](#) [SIM-211S-P6](#)