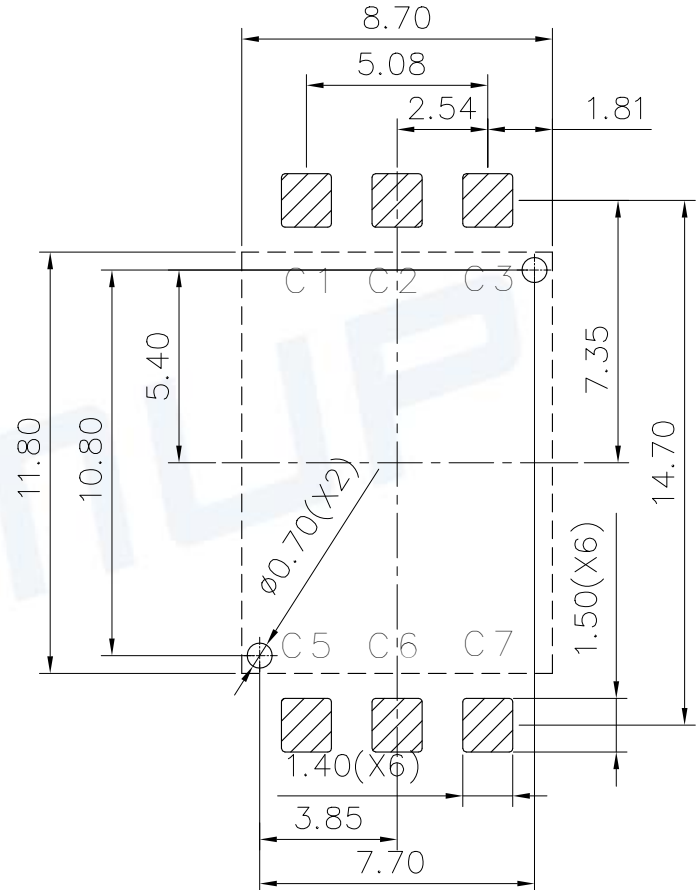


REV.	DESCRIPTION OF REVISIONS	APPR.	CHKD.	DRAW.	DATE
▲	NEW			Zoey	2009/12/7
▲	Original Model C725-1			HXR	2023/10/23



**TECHNICAL CHARACTERISTICS**

**1.General Characteristics**

Dimensions: 11.80LX8.70WX2.0 mm  
 Weight: Approx 0.33±0.05g  
 Durability: 10,000 cycles min.

**2.Electrical Characteristics**

Contact resistance: 50mΩ typical, 100mΩ max  
 Insulation resistance: >1000MΩ/500V DC

**3.Solderability**

Vaporphase: 215°C, 30sec.Max  
 IR reflow: 250°C, 5sec.Max  
 Manual soldering: 370°C, 3sec.Max

**4.Environmental Characteristics**

Operating temperature: -40°C~+85°C  
 Operating humidity: 10%~+95%RH

**RECOMMENDED P.C.B LAYOUT  
 COMPONENT SIDE(TOLERANCE ±0.05)**

ITEM	PART NAME	Q'TY	MATERIAL	FINISH
1	HOUSING	1	Hi-temp Thermoplastic	Black UL94V-0
2	DATA CONTACT	6	Copper Alloy	Contact area:Gold plated

Unless otherwise specified, other tolerance are:

X	±0.35	X*	±5*
X.X	±0.25	X.X*	±4*
X.XX	±0.15	X.XX*	±3*
X.XXX	±0.10	X.XXX*	±2*

**MUP** MUP INDUSTRIAL CO.,LTD.

NAME: **Smart Card Acceptor**  
 MODEL NO: **MUP-C7025-01**  
 TYPE: **H2.0 with post&without logo 6p**

PROJ.	UNIT	SCALE	DRAWN	CHECKED	APPROVAL	DWG NO.:	SHEET	REVISION
⊕	mm	1:1	Zoey Dec.07.2009	Sean Dec.07.2009	Jun Dec.07.2009	DWG-C7025-01-01	1/1	2



CUSTOMER DRAWING

## X-ON Electronics

Largest Supplier of Electrical and Electronic Components

*Click to view similar products for [Memory Card Connectors](#) category:*

*Click to view products by [Murata](#) manufacturer:*

Other Similar products are found below :

[6407-249V-25273P](#) [6407-249V-25343P](#) [6426-201-21343](#) [69.920.0553.0](#) [MCR60A-98D-2.54DSA\(70\)](#) [809180410000000](#) [DM3AT-SF-PEJM5\(41\)](#) [IC11S-BUR-PNEJL\(71\)](#) [C70210M0083692](#) [2041353-2](#) [308-DS1P0811-192](#) [HM2P09PDR360N9LF](#) [10014744-011TLF](#) [11327-001](#) [11327-002](#) [NX1-32T-KT3K\(05\)](#) [95622-003LF](#) [84648-056HLF](#) [CCM03-3109 B LFT](#) [MS3116J10-6PW](#) [2309923-1](#) [61126-050CAHLF](#) [GTFP08432B1HR](#) [G85D1160022HHR](#) [SCE2MSDB76A121SN](#) [SCE2MSDZN76A121SN](#) [10014744-011ALF](#) [10014744-011LF](#) [10057542-1211FLF](#) [10067972-000LF](#) [10067972-050LF](#) [10122302-20110LF](#) [G85D1162022HHR](#) [TF-05A](#) [XKNANO-1412](#) [SMN-304-ARP6](#) [MIS11-S1F1-2000-A](#) [SMN-308-ARSP7](#) [MCS-302S-KT1B](#) [SMN-308-ACSP7](#) [K-DYX-008](#) [K-DYX-004](#) [HYCW126-TF18-150B](#) [C7024-03](#) [SMO-1030](#) [MCS-110-KT](#) [SIM-217](#) [SNO-1355-KT](#) [SMO-1025-P10](#) [SIM-211S-P6](#)