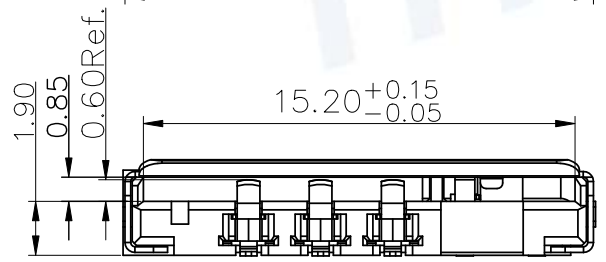
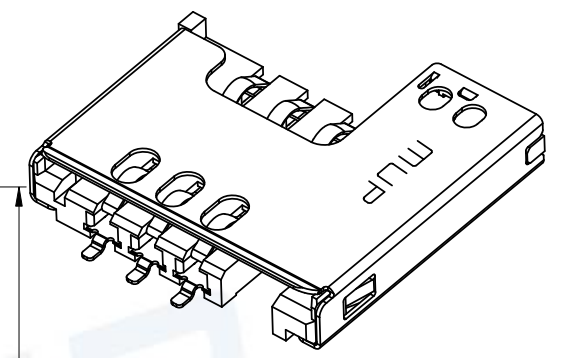
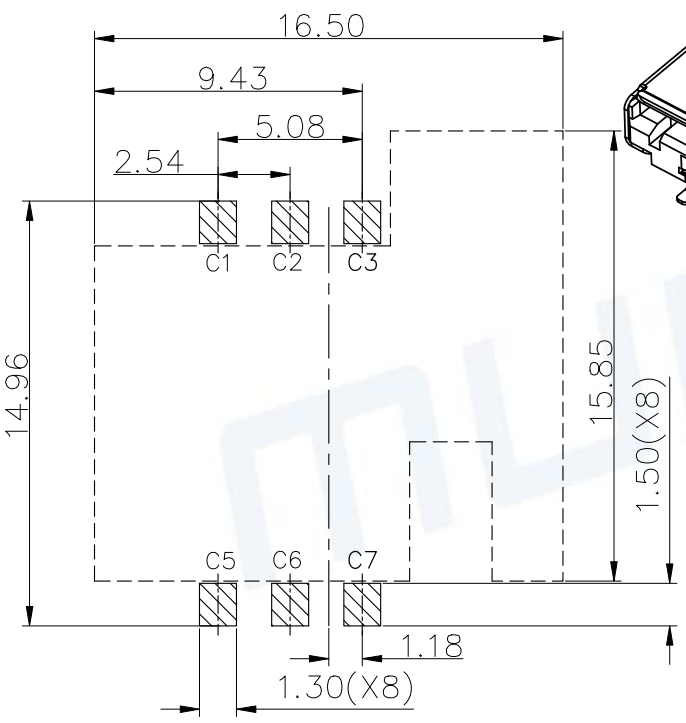
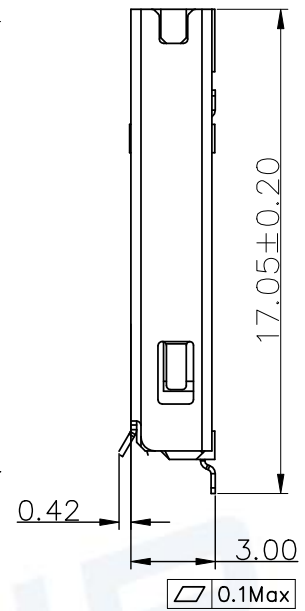
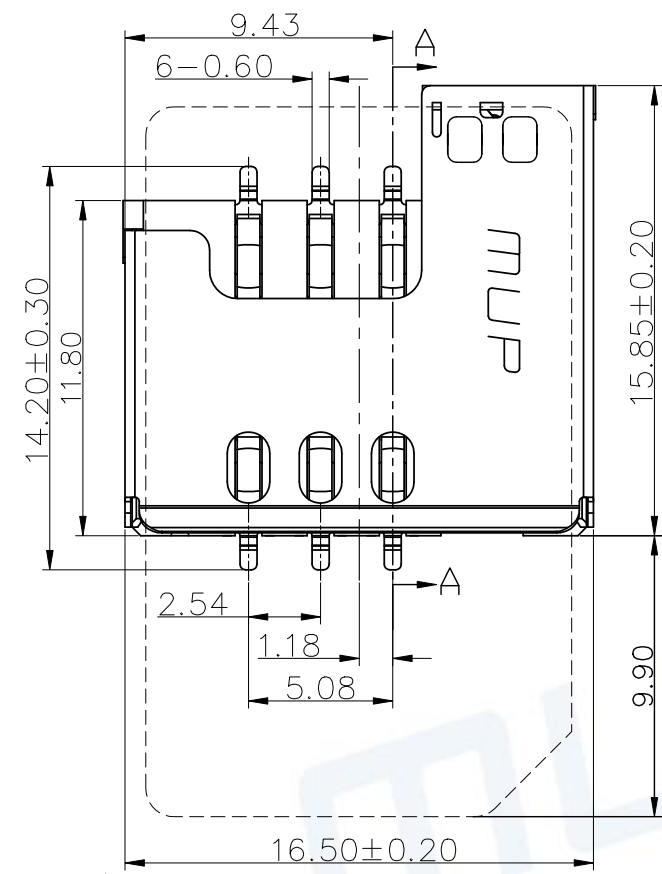


REV.	DESCRIPTION OF REVISIONS	APPR.	CHKD.	DRAW.	DATE
△	NEW			Zoey	2008/8/14
△	Original Model C729-2			HXR	2023/10/23



**TECHNICAL CHARACTERISTICS**

- General Characteristics**  
 Dimensions: 15.85LX16.50WX3.00H mm  
 Weight: Approx 0.78±0.2g  
 Durability: 5,000 cycles min.
- Electrical Characteristics**  
 Contact resistance:  
 50mΩ typical 100mΩ max  
 Insulation resistance:  
 >1000MΩ/500V DC
- Solderability**  
 Vapor phase: 215°C, 30sec. Max  
 IR reflow: 250°C, 5sec. Max  
 Manual soldering: 370°C, 3sec. Max
- Environmental Characteristics**  
 Operating temperature:  
 -40°C~+85°C  
 Operating humidity: 10%~+95%RH

**RECOMMENDED P.C.B LAYOUT**  
 COMPONENT SIDE (TOLERANCE ±0.05)

ITEM	PART NAME	Q'TY	MATERIAL	FINISH
1	BASE	1	Hi-temp Thermoplastic	Black UL94V-0
2	COVER	1	Stainless Steel	
3	DATA CONTACT	6	Copper Alloy	Contact area: Gold plated

Unless otherwise specified, other tolerance are:

**MUP** MUP INDUSTRIAL CO.,LTD.

X ±0.35	X* ±5*	NAME:	<b>SIM Card Connector</b>	
X.X ±0.25	X.X* ±4*	MODEL NO.:	<b>MUP-C7029-02</b>	
X.XX ±0.15	X.XX* ±3*	TYPE :	<b>Without post 6P (long shell)</b>	
X.XXX ±0.10	X.XXX* ±2*	PROJ.	Simon Aug.14.2008	DWG NO.:
		UNIT	mm	DWG-C7029-02-01
		SCALE	1:1	SHEET
		CUSTOMER DRAWING		1/1
				REVISION
				2



## X-ON Electronics

Largest Supplier of Electrical and Electronic Components

*Click to view similar products for [Memory Card Connectors](#) category:*

*Click to view products by [Murata](#) manufacturer:*

Other Similar products are found below :

[6407-249V-25273P](#) [6407-249V-25343P](#) [6426-201-21343](#) [69.920.0553.0](#) [MCR60A-98D-2.54DSA\(70\)](#) [809180410000000](#) [DM3AT-SF-PEJM5\(41\)](#) [IC11S-BUR-PNEJL\(71\)](#) [C70210M0083692](#) [2041353-2](#) [308-DS1P0811-192](#) [HM2P09PDR360N9LF](#) [10014744-011TLF](#) [11327-001](#) [11327-002](#) [NX1-32T-KT3K\(05\)](#) [95622-003LF](#) [84648-056HLF](#) [CCM03-3109 B LFT](#) [MS3116J10-6PW](#) [2309923-1](#) [61126-050CAHLF](#) [GTFP08432B1HR](#) [G85D1160022HHR](#) [SCE2MSDB76A121SN](#) [SCE2MSDZN76A121SN](#) [10014744-011ALF](#) [10014744-011LF](#) [10057542-1211FLF](#) [10067972-000LF](#) [10067972-050LF](#) [10122302-20110LF](#) [G85D1162022HHR](#) [TF-05A](#) [M6014-12](#) [XKNANO-1412](#) [SMN-304-ARP6](#) [MIS11-S1F1-2000-A](#) [SMN-308-ARSP7](#) [MCS-302S-KT1B](#) [SMN-308-ACSP7](#) [K-DYX-008](#) [K-DYX-004](#) [C7024-03](#) [SMO-1030](#) [MCS-110-KT](#) [SIM-217](#) [SNO-1355-KT](#) [SMO-1025-P10](#) [SIM-211S-P6](#)