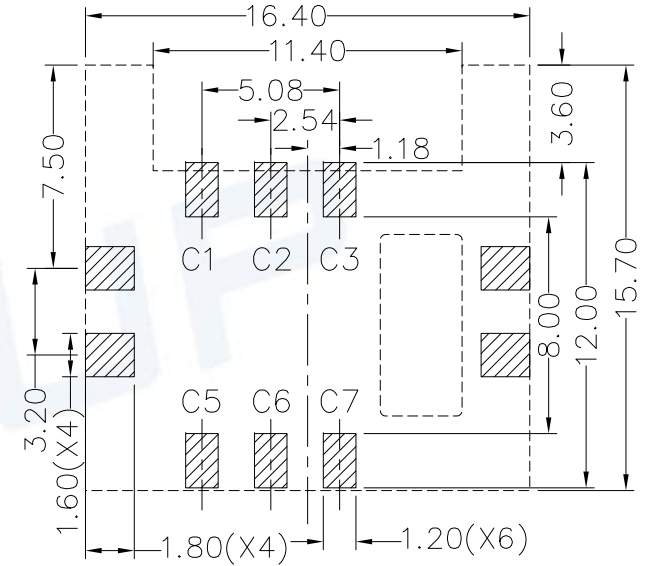
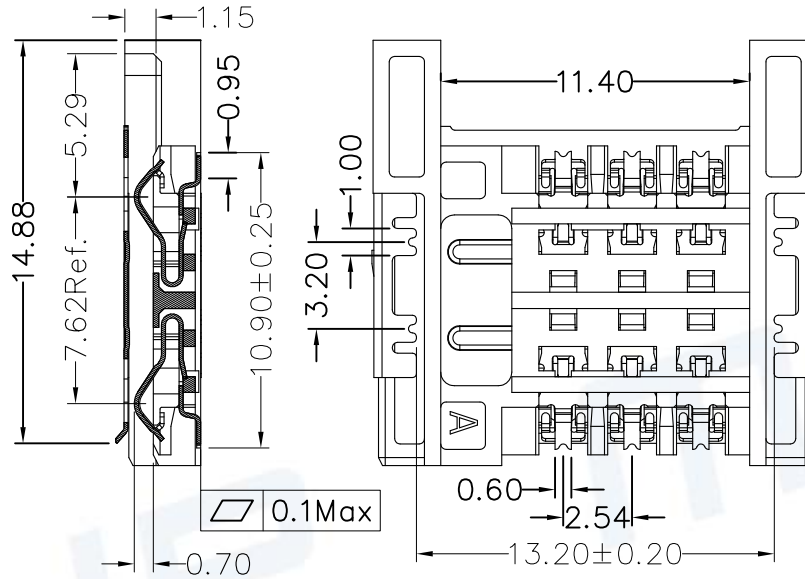
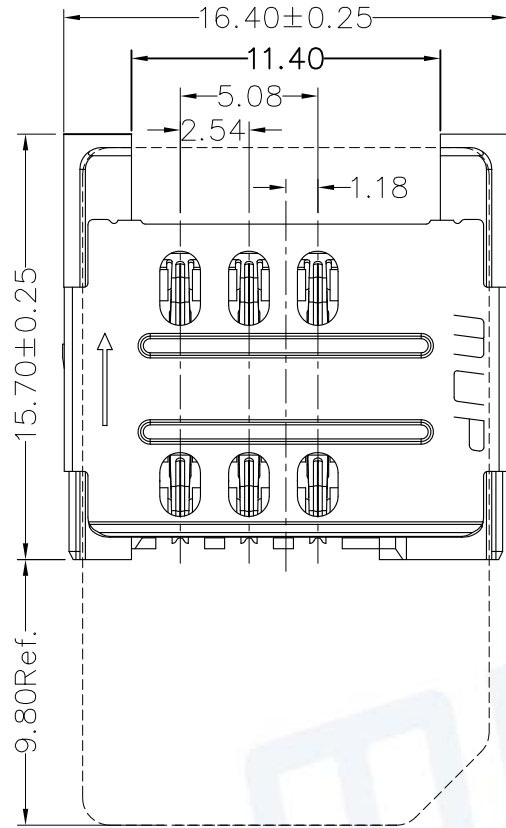
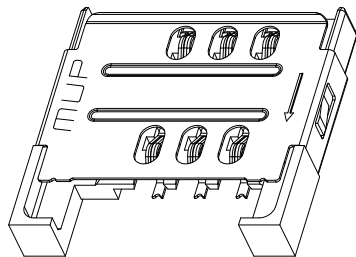
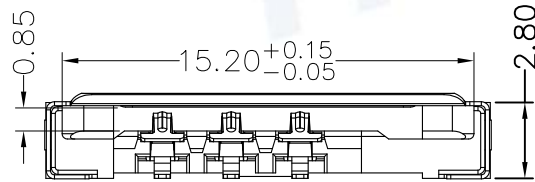


| REV. | DESCRIPTION OF REVISIONS | APPR. | CHKD. | DRAW. | DATE |
|------|--------------------------|-------|-------|-------|------------|
| ① | NEW | | | Zoey | 2009/12/7 |
| ② | Original Model C734-3 | | | HXR | 2023/10/19 |



RECOMMENDED P.C.B LAYOUT
COMPONENT SIDE(TOLERANCE ±0.05)



TECHNICAL CHARACTERISTICS

1.General Characteristics

Dimensions: 15.70LX16.40WX2.80H mm

Weight: Approx 0.53±0.2g

Durability: 5,000 cycles min.

2.Electrical Characteristics

Contact resistance: 50mΩ typical, 100mΩ max

Insulation resistance: >1000MΩ/500V DC

3.Solderability

IR reflow: 260°C, 10sec.Max

Manual soldering: 370°C, 3sec.Max

4.Environmental Characteristics

Operating temperature: -40°C~+85°C

Operating humidity: 10%~+95%RH

| ITEM | PART NAME | Q'TY | MATERIAL | FINISH |
|------|--------------|------|-----------------------|--------------------------|
| 1 | HOUSING | 1 | Hi-temp Thermoplastic | Black UL94V-0 |
| 2 | DATA CONTACT | 6 | Copper Alloy | Contact area:Gold plated |
| 3 | SHELL | 1 | Stainless Steel | SMT area:Gold plated |

| | | | | |
|--------------------------------------------------|-------|--------|----------|------------------------------------------------|
| Unless otherwise specified, other tolerance are: | | | | |
| X | ±0.35 | X* | | |
| X.X | ±0.25 | X.X* | ±4* | NAME: SIM Card Connector |
| X.XX | ±0.15 | X.XX* | ±3* | MODEL NO: MUP-C7034-03 |
| X.XXX | ±0.10 | X.XXX* | ±2* | TYPE: Without post 6p/ Pin slot opening |
| PROJ. | UNIT | SCALE | DRAWN | Zoey Dec.07.2009 |
| ① | mm | 1:1 | CHECKED | Jimmy Dec.07.2009 |
| CUSTOMER DRAWING | | | APPROVAL | Jun Dec.07.2009 |
| | | | DWG NO.: | DWG-C7034-03-01 |
| | | | SHEET | 1/1 |
| | | | REVISION | 2 |



X-ON Electronics

Largest Supplier of Electrical and Electronic Components

Click to view similar products for [Memory Card Connectors](#) category:

Click to view products by [Murata](#) manufacturer:

Other Similar products are found below :

[6407-249V-25273P](#) [6407-249V-25343P](#) [6426-201-21343](#) [69.920.0553.0](#) [MCR60A-98D-2.54DSA\(70\)](#) [809180410000000](#) [DM3AT-SF-PEJM5\(41\)](#) [IC11S-BUR-PNEJL\(71\)](#) [C70210M0083692](#) [2041353-2](#) [308-DS1P0811-192](#) [HM2P09PDR360N9LF](#) [10014744-011TLF](#) [11327-001](#) [11327-002](#) [NX1-32T-KT3K\(05\)](#) [95622-003LF](#) [84648-056HLF](#) [CCM03-3109 B LFT](#) [MS3116J10-6PW](#) [2309923-1](#) [61126-050CAHLF](#) [GTFP08432B1HR](#) [G85D1160022HHR](#) [SCE2MSDB76A121SN](#) [SCE2MSDZN76A121SN](#) [10014744-011ALF](#) [10014744-011LF](#) [10057542-1211FLF](#) [10067972-000LF](#) [10067972-050LF](#) [10122302-20110LF](#) [G85D1162022HHR](#) [TF-05A](#) [SMN-304-ARP6](#) [MIS11-S1F1-2000-A](#) [SMN-308-ARSP7](#) [MCS-302S-KT1B](#) [SMN-308-ACSP7](#) [K-DYX-008](#) [K-DYX-004](#) [HYCW126-TF18-150B](#) [C7024-03](#) [SMO-1030](#) [MCS-110-KT](#) [SIM-217](#) [SNO-1355-KT](#) [SMO-1025-P10](#) [SIM-211S-P6](#) [SNO-1440](#)