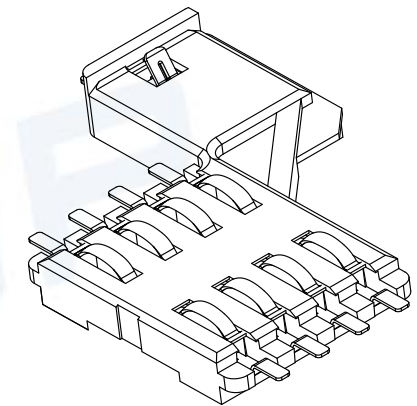
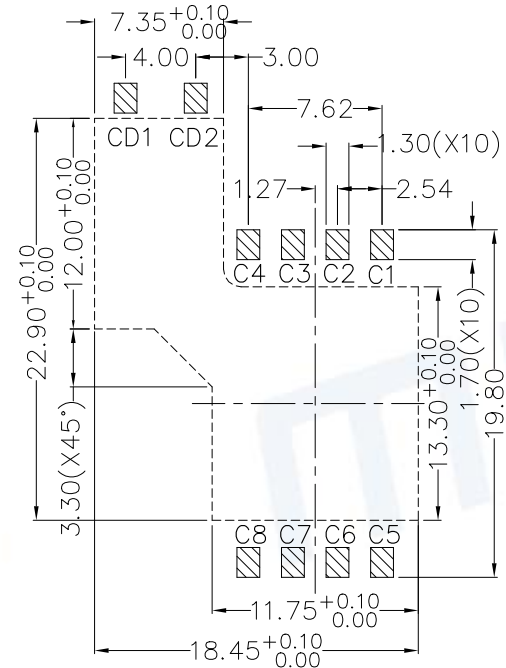
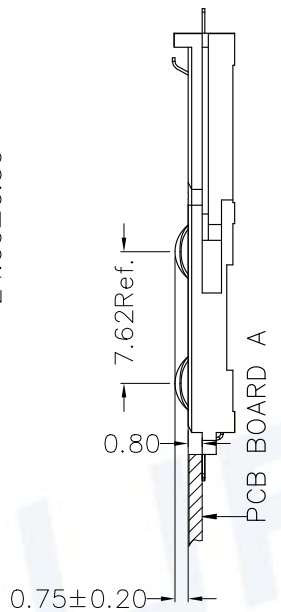
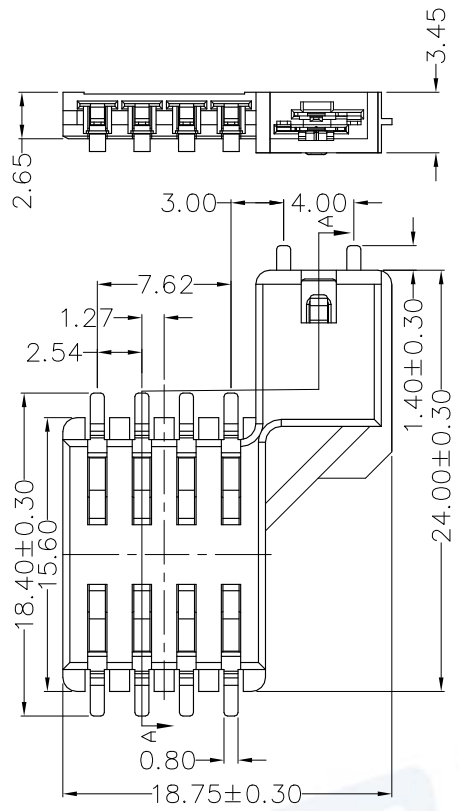


REV.	DESCRIPTION OF REVISIONS	APPR.	CHEC.	DRAW.	DATE
△	NEW			Zoey	2014/05/25
△	Original Model C737-2			Keye	2023/10/19

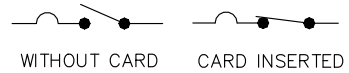


PCB LAYOUT REFERENCE PCB BOARD A(frontispiece)  
COMPONENT SIDE(TOLERANCE ±0.05)

TECHNICAL CHARACTERISTICS

- General Characteristics  
Dimensions: 24.00LX18.75WX2.65H mm  
Weight: Approx0.88±0.2g  
Durability:50,000 cycles min.
- Electrical Characteristics  
Contact resistance:50mΩ typical,100mΩ max  
Insulation resistance:>1000MΩ/500V DC
- Solderability  
IR reflow:260°C,10sec.Max  
Manual soldering:370°C,3sec.Max
- Environmental Characteristics  
Operating temperature:-40°C~+85°C  
Operating humidity:10%~+95%RH

ELECTRIC FUNCTION	DETECT SWITCH
WITHOUT CARD	OPEN
CARD INSERTED	CLOSED



SWITCH OPERATION DIAGRAM

ITEM	PART NAME	Q'TY	MATERIAL	FINISH
1	BASE	1	Thermoplastic	Black UL94V-0
2	DATA CONTACT	8	Copper Alloy	Contact area:Gold plated
3	SWITCH CONTACT 2	1	Copper Alloy	Contact area:Gold plated
4	SWITCH CONTACT 1	1	Copper Alloy	Contact area:Gold plated

Unless otherwise specified, other tolerance are:

X ±0.45	X* ±5°	<b>MUP</b> <sup>®</sup> <b>MUP INDUSTRIAL CO.,LTD.</b> NAME: <b>Smart Card Connector</b> MODEL NO: <b>MUP-C7037-02</b> TYPE: <b>H2.65mm(Mid-SMT)</b>
X.X ±0.35	X.X* ±4°	
X.XX ±0.25	X.XX* ±3°	
X.XXX ±0.10	X.XXX* ±2°	

PROJ.	UNIT	SCALE	DRAWN	DATE	DWG NO.:
①	MM	1:1	Zoey	2014/05/25	DWG-C7037-02-01
CUSTOMER DRAWING			CHECKED	2014/05/25	SHEET
			APPROVAL	2014/05/25	REVISION
					1/1
					2



## X-ON Electronics

Largest Supplier of Electrical and Electronic Components

*Click to view similar products for [Memory Card Connectors](#) category:*

*Click to view products by [Murata](#) manufacturer:*

Other Similar products are found below :

[6407-249V-25273P](#) [6407-249V-25343P](#) [6426-201-21343](#) [69.920.0553.0](#) [MCR60A-98D-2.54DSA\(70\)](#) [809180410000000](#) [DM3AT-SF-PEJM5\(41\)](#) [IC11S-BUR-PNEJL\(71\)](#) [C70210M0083692](#) [2041353-2](#) [308-DS1P0811-192](#) [HM2P09PDR360N9LF](#) [10014744-011TLF](#) [11327-001](#) [11327-002](#) [NX1-32T-KT3K\(05\)](#) [95622-003LF](#) [84648-056HLF](#) [CCM03-3109 B LFT](#) [MS3116J10-6PW](#) [2309923-1](#) [61126-050CAHLF](#) [GTFP08432B1HR](#) [G85D1160022HHR](#) [SCE2MSDB76A121SN](#) [SCE2MSDZN76A121SN](#) [10014744-011ALF](#) [10014744-011LF](#) [10057542-1211FLF](#) [10067972-000LF](#) [10067972-050LF](#) [10122302-20110LF](#) [G85D1162022HHR](#) [TF-05A](#) [M6014-12](#) [XKNANO-1412](#) [SMN-304-ARP6](#) [MIS11-S1F1-2000-A](#) [SMN-308-ARSP7](#) [MCS-302S-KT1B](#) [SMN-308-ACSP7](#) [K-DYX-008](#) [K-DYX-004](#) [C7024-03](#) [SMO-1030](#) [MCS-110-KT](#) [SIM-217](#) [SNO-1355-KT](#) [SMO-1025-P10](#) [SIM-211S-P6](#)